



ROHDE & SCHWARZ

Test and Measurement
Division

Service Manual Instrument

**Universal Radio Communication
Tester**

CMU200/CMU300

1100.0008.02/1100.0008.03

Printed in the Federal
Republic of Germany

Tabbed Divider Overview

**Spare Parts Express Service
List of R&S Representatives
Safety Instructions**

Contents

Contents of Manuals for Universal Radio Communication Tester CMU

Tabbed Divider

- | | |
|----------|---|
| 1 | Chapter 1: Performance Test |
| 2 | Chapter 2: Adjustment |
| 3 | Chapter 3: Repair |
| 4 | Chapter 4: Software Update / Installation of Options |
| 5 | Chapter 5: Documents |

Index

Spare Parts Express Service

Phone: +49 89 4129 - 2465

Fax: +49 89 41 29 - 3306

E-mail: werner.breidling@RSD.rsd.de

In case of urgent spare parts requirements for this Rohde & Schwarz unit, please contact our spare parts express service.

Outside business hours, please leave us a message or send a fax or e-mail. We shall contact you promptly.

Contents

1 Performance Test	1.1
General.....	1.1
A) Calibration by an R&S Representative with an ACS Calibration System	1.1
B) Sending the Instrument to the Factory (Memmingen, Germany)	1.1
Necessary Documents	1.1
Measuring Instruments and Auxiliary Equipment	1.2
Test Setups	1.3
Reference Frequencies	1.3
TX Level Measurements	1.3
General TX measurements	1.4
RX Level measurements	1.4
General RX Measurements	1.5
RX Demodulation Measurements	1.5
Tolerance Analysis	1.6
Manual Test Procedure	1.7
Selftest.....	1.7
Interface Test.....	1.8
IEC-bus Interface	1.8
RS-232 Interface	1.8
Reference Frequencies	1.8
REF IN	1.8
REF OUT 1.....	1.9
REF OUT 2.....	1.9
TX Frequency Accuracy	1.10
TX Frequency Settling Time	1.10
TX Level Error	1.10
VSWR.....	1.10
TX Level Settling Time	1.11
TX Harmonics.....	1.11
TX Non Harmonics	1.11
TX In-Band Spurious Signals	1.11
TX Fixed Spurious Signals	1.12
TX SSB Phase Noise	1.12
TX Residual FM.....	1.12
TX Residual AM.....	1.12
TX Carrier/Sideband Suppression, Max. Distortion.....	1.13
RX Power Meter (Frequency-Selective)	1.13

RX Power Meter (Wideband).....	1.13
RX Harmonics	1.13
RX Spurious Response / Image Rejection	1.14
RX SSB Phase Noise	1.14
RX Residual FM/AM	1.15
RX Dynamic/ Average Noise Level.....	1.15
Options for CMU200.....	1.16
TX GSM Modulation	1.16
RX GSM Demodulation	1.16
Function Test with Mobile Stations (CMU200)	1.17
GSM mobile test.....	1.17
CDMA mobile test	1.17
IS136-mobile test	1.17
AMPS-mobile test.....	1.17
Test Report.....	1.18
2 Adjustment.....	2.1
Manual Adjustment.....	2.1
Measuring Instruments and Auxiliary Equipment	2.1
Preparing the Instrument	2.2
Adjusting the + 5 VDC Reference Voltage	2.2
Adjusting the 10 MHz Reference Frequency.....	2.3
TCXO 2.3	
OCXO REFERENCE OSC. CMU-B11	2.3
OCXO REFERENCE OSC. CMU-B12.....	2.3
Automatic Adjustment of Module Data.....	2.4
Preparing the adjustment	2.4
Performing the adjustment	2.4
3 Repair	3.1
Instrument Design and Function Description.....	3.1
Block diagram	3.2
Instrument Frame	3.3
Rear of Instrument Frame	3.3
Front of Instrument Frame.....	3.3
Cooling the Instrument	3.4
FRONT MODULE.....	3.5
POWER SUPPLY.....	3.6
MOTHERBOARD	3.7
REFERENCE BOARD.....	3.8

Option OCXO REFERENCE OSC. CMU-B11 or B12	3.9
RF FRONTEND	3.9
RXTX BOARD1	3.10
DIGITAL BOARD	3.12
Option UNIVERSAL SIGNALLING UNIT CMU-B21	3.13
Option AUDIO-GEN. + ANA. CMU-B41	3.15
Option CDMA (IS95) Signalling Unit CMU-B81	3.16
MODULE Replacement	3.17
Replacing the FRONT MODULE	3.17
Opening the instrument and removing the FRONT MODULE	3.17
Installing the new FRONT MODULE and completing the instrument.....	3.18
Putting into operation.....	3.18
Replacing the FRONT MODULE CONTROLLER in the FRONT MODULE	3.19
Opening the instrument and removing the FRONT MODULE	3.19
Removing the FRONT MODULE CONTROLLER from the FRONT MODULE.....	3.20
Installing the new FRONT MODULE CONTROLLER	3.20
Installing the option again and completing the instruments.....	3.20
Putting into operation.....	3.21
Replacing the Lithium Battery in the FRONT MODULE	3.22
Opening the instrument and removing the FRONT MODULE	3.22
Removing the lithium battery	3.23
Installing the new battery and completing the instrument.....	3.24
Putting into operation.....	3.24
Replacing the Hard Disk in the FRONT MODULE	3.25
Opening the instrument and removing the FRONT MODULE	3.25
Removing the hard disk from the FRONT MODULE	3.26
Installing the new hard disk	3.26
Putting into operation.....	3.27
Replacing the Memory Modules in the FRONT MODULE	3.28
Opening the instrument and removing the FRONT MODULE	3.28
Making the memory modules accessible	3.29
Removing the memory module	3.29
Installing the new memory module and completing the instrument.....	3.29
Putting into operation.....	3.29
Replacing the LCD and/or DC/AC Converter in the FRONT MODULE.....	3.30
Opening the instrument and removing the FRONT MODULE	3.30
Making the LCD accessible	3.31
Removing the LCD and/or DC/AC Converter	3.31
Installing the new LCD and/or DC/AC converter and completing the instrument.....	3.31
Putting into operation.....	3.31
Replacing the Keyboard Membrane and/or Mat on the FRONT MODULE	3.32
Opening the instrument and removing the FRONT MODULE	3.32
Removing the membrane	3.33
Installing the new membrane and completing the instrument	3.33
Putting into operation.....	3.33
Replacing the Labeling Panel on the FRONT MODULE	3.34
Removing the old labeling panel.....	3.34
Installing the new labeling panel and completing the instrument	3.34
Putting into operation.....	3.34
Replacing the Options FLOPPY DISK DRIVE CMU-B61 or PCMCIA INTERFACE	3.35

Opening the instrument and removing the FRONT MODULE	3.35
Replacing the option.....	3.36
Completing the instrument and putting into operation	3.36
Replacing the RF FRONTEND.....	3.37
Opening the instrument and removing the RF FRONTEND	3.37
Installing the new RF FRONTEND MODULE and completing the instrument.....	3.37
Automatic module data adjustment	3.37
Replacing the REFERENCE BOARD.....	3.38
Opening the instrument and removing the REFERENCE BOARD	3.38
Installing the new REFERENCE BOARD and completing the instrument.....	3.38
Automatic module data adjustment	3.38
Replacing the RXTX BOARD1	3.39
Opening the instrument and removing the RXTX BOARD1.....	3.39
Installing the new RXTX BOARD1 and completing the instrument.....	3.39
Automatic module data adjustment	3.39
Replacing the TR-CORRECTION MODULE in the RXTX BOARD1.....	3.40
Opening the instrument and removing the TR-CORRECTION MODULE	3.40
Installing the new TR-CORRECTION BOARD and completing the instr.	3.40
Automatic module data adjustment	3.40
Replacing the DIGITAL BOARD.....	3.41
Opening the instrument and removing the DIGITAL BOARD	3.41
Installing the new DIGITAL BOARD and completing the instrument.....	3.41
Automatic module data adjustment	3.41
Replacing the MODULES: ADC MODULE1, DDC MODULE1, TXDSP MODULE1, AUC MODULE1 in the DIGITAL BOARD.....	3.42
Opening the instrument and removing the modules.....	3.42
Installing the new sandwich module and completing the instrument.....	3.42
Automatic module data adjustment	3.43
Replacing the Option OCXO REFERENCE OSC. CMU-B11 or CMU-B12.....	3.44
Opening the instrument and removing the OPTION OCXO REF. OSC.....	3.44
Installing the new OPTION OCXO REFERENCE OSC. and completing the instrument.....	3.44
Manual OCXO adjustment	3.44
Replacing the Option UNIVERSAL SIGNALLING UNIT CMU-B21	3.45
Opening the instrument and removing the OPTION UNIV. SIGN. UNIT	3.45
Installing the new OPTION UNIV. SIGN. UNIT and completing the instr.....	3.45
Automatic module data adjustment	3.45
Replacing the MODULES: DSP MODULE0/1, IQOUT MODULE, OPTION SPEECH CODEC CMU-B52 (INCLUDES DSP MODULE3) in the UNIV. SIGN. UNIT.....	3.46
Opening the instrument and removing the modules.....	3.46
Installing the new sandwich module and completing the instrument.....	3.46
Automatic module data adjustment	3.47
Replacing the Option AUDIO-GEN. + ANA. CMU-B41	3.48
Opening the instrument and removing the Option AUDIO-GEN. + ANA.....	3.48
Installing the new Option AUDIO-GEN. + ANA. and completing the instr.	3.48
Automatic module data adjustment	3.48
Replacing the POWER SUPPLY	3.49
Removing the POWER SUPPLY	3.49
Installing the new POWER SUPPLY	3.49
Replacing the Instrument Fan	3.50
Opening the instrument and removing the fan	3.50
Installing the new fan and completing the instrument.....	3.50

Replacing the MOTHERBOARD	3.51
MOTHERBOARD1 (big MOTHERBOARD)	3.51
Opening the instrument and removing MOTHERBOARD1	3.51
Installing the new MOTHERBOARD1 and completing the instrument	3.51
MOTHERBOARD2 (small MOTHERBOARD)	3.52
Opening the instrument and removing MOTHERBOARD2	3.52
Installing the new MOTHERBOARD2 and completing the instrument	3.52
FRONTPANEL BOARD (at the front of the instrument frame)	3.52
Opening the instrument and removing the FRONTPANEL BOARD	3.52
Installing the new FRONTPANEL BOARD and completing the instrument ...	3.52
REARPANEL BOARD1 (Interface board for Standard Connectors at the Rear of the Instrument Frame)	3.53
Opening the instrument and removing the REARPANEL BOARD1	3.53
Installing the new REARPANEL BOARD1 and completing the instrument	3.53
REARPANEL BOARD2 (Interface Board for Further Connectors at the Rear of the Instrument Frame)	3.53
Opening the Instrument and removing the REARPANEL BOARD2	3.53
Installing the new REARPANEL BOARD2 and completing the instrument	3.53
Troubleshooting	3.54
Troubleshooting using the LEDs (H1 to H8) on the MOTHERBOARD	3.55
Troubleshooting using the SELFTEST Menu for Modules	3.57
Troubleshooting using the INFO Menu for Modules	3.58
Troubleshooting using the ERROR messages on the LC display	3.60
More troubleshooting	3.61
General errors on the transmitter side of the CMU	3.61
General errors on the receiver side of the CMU	3.62
4 Software Update/Installing Options	4.1
New Installation of the CMU Software	4.1
Software Update via PCMCIA INTERFACE	4.1
Software Update via FLOPPY DISK DRIVE	4.1
Performing a Software Update	4.2
Reinstalling the Old Software	4.3
Loading Software as long as there is no VersionManager in the CMU	4.3
Installing the Options	4.4
5 Documents	5.1
Module and Cable Exchange	5.1

Tables

Table 1-1 Measuring instruments and auxiliary equipment for manual performance test 1.2
Table 1-2 Test report 1.18
Table 2-1 Measuring instruments and auxiliary equipment for manual adjustment of the CMU 2.1
Table 5-1 List of power cables available 5.2

Contents of Manuals for Universal Radio Communication Tester CMU200/CMU300

Service Manual Instrument

This service manual for Universal Radio Communication Tester CMU provides information on checking the generator for compliance with rated specifications, as well as on adjustment, repair and troubleshooting. It further contains all the information necessary for repairing the generator by the replacement of modules.

The service manual comprises five chapters and an annex (chapter 5) containing the CMU circuit documentation:

- | | |
|------------------|--|
| Chapter 1 | Provides all the information necessary to check CMU for compliance with rated specifications. The required test equipment is included, too. |
| Chapter 2 | Describes the adjustment of the +5 VDC reference source and of the 10-MHz reference frequency source as well as the software-controlled adjustment of individual module data following module replacement. |
| Chapter 3 | Describes the design of CMU as well as simple measures for repair and fault diagnosis, in particular, the replacement of modules and access to hardware settings by means of service commands. |
| Chapter 4 | Contains information on the extension and modification of CMU by installing instrument software and retrofitting options. |
| Chapter 5 | Contains spare parts lists and exploded views of CMU. |

Operating Manual

In the operating manual for CMU basic unit you will find information about the technical specifications of CMU, the controls and connectors on the front and rear panel, necessary steps for putting the instrument into operation, the basic operating concept, manual and remote control.

For introduction typical measurement tasks are explained in detail using the functions of the user interface and program examples.

The operating manual contains all information on the characteristics, operation and remote control of the CMU including *RF* and *Audio* measurements. It further provides hints on preventive maintenance and fault diagnosis by means of warnings and error messages output by the unit.

Service Manual Modules

The service manual modules is not delivered with the instrument but may be obtained from your R&S service department using the order number 1100.4903.92.

Service manual modules contains information about the individual modules of CMU. This comprises the test and adjustment of the modules, fault detection within the modules and the interface description.

Operating Manuals for Digital and Analog Network Tests

The operating manuals listed in the following table describe the test of mobile phones supporting different standards by means of the CMU200/CMU300 and the appropriate software and hardware options. Except for hardware-specific chapters that are not relevant to the software options, the network test operating manuals are organized like the CMU operating manual.

Manual	Order Number	Type	For Options	
			Description	Stock No.
Operating Manual CMU-K21/-K22/-K23	1115.6088.12	CMU-K21 CMU-K22 CMU-K23	GSM900-MS for CMU-B21 GSM1800-MS for CMU-B21 GSM1900-MS for CMU-B21	1115.6007.02 1115.6107.02 1115.6207.02
Operating Manual CMU-K27/-K28	1115.6688.12	CMU-K27 CMU-K28	TDMA800-MS for CMU-B21 TDMA1900-MS for CMU-B21	1115.6607.02 1115.6707.02
Operating Manual CMU-K29	1115.6888.12	CMU-K29	AMPS-MS for CMU-B21	1115.6807.02
Operating Manual CMU-K30/-K31/- K32/-K33	1115.4185.12	CMU-K30 CMU-K31 CMU-K32 CMU-K33 CMU-K39 CMU-K41	GSM400-BS for CMU-B21 GSM900-BS for CMU-B21 GSM1800-BS for CMU-B21 GSM1900-BS for CMU-B21 MOC/MTC EDGE for CMU-K30/31/32/33	1115.4004.02 1115.4104.02 1115.4104.02 1115.4104.02 1115.4791.02 1115.4604.02
Operating Manual CMU-K81/-K82	1115.5581.12	CMU-K81 CMU-K82	CDMA800-MS (IS95) for CMU-B81 CDMA1900-MS (IS95) for CMU-B81	1115.5500.02 1115.5600.02
Operating Manual CMU-K53	1115.5081.12	CMU-K53	Bluetooth for CMU	1115.5000.02

The GSM base station tests described in operating manual CMU-K30/-K31/-K32 require a CMU300 (Universal Radio Communication Tester for BTS). All other radio communication equipment is tested with model CMU200.

1 Performance Test

This chapter provides the necessary information for checking the technical data of the CMU. Please read the general notes on the test procedure on page 1.7 first. Then follows a list of the measuring equipment required for the performance test; a form for the test report is to be found at the end of this chapter.

The adjustment of the instrument for restoring the data integrity and the measuring equipment required for this purpose will be described in chapter 2 of this service manual.

General

The technical data of a CMU can be checked in the following ways:

A) Calibration by an R&S Representative with an ACS Calibration System

Advantages

- Automatic procedure
- Small measurement uncertainties
- Calibration and readjustment
- In most cases, the instrument does not have to leave the country

B) Sending the Instrument to the Factory (Memmingen, Germany)

Advantages

- Automatic procedure at the final test setup
- Minimum measurement uncertainties
- Calibration and readjustment

Necessary Documents

- Operating manual CMU200/CMU300
- Data sheet CMU200

Note: *It is recommended to read the following journal on the subjects "measurement uncertainty" and "tolerance analysis": ETSI Technical Report ETR 028, June 1997*

Measuring Instruments and Auxiliary Equipment

Table 1-1 Measuring instruments and auxiliary equipment for manual performance test

Item	Type of instrument	Required characteristics	Appropriate device	R & S order number	Use
1	Signal generator	100 kHz to 2.7 GHz, Generation of a GSM signal (dummy burst)	SME03 SMIQ	1038.6002.03	RX measurements
2	Spectrum analyzer	100 kHz to 7 GHz, Demodulation of GSM signals	FSE with FSE-B7 FSIQ FSP-3	1066.30.10.20 1066.30.10.30 1066.4317.02 1093.4495.03	TX measurements
3	Power meter		NRVD with sensors NRV-Z4 NRV-Z51		RX measurements, TX measurements
4	Power amplifier	100 kHz to 2.7 GHz, Pout = 100 W			RX measurements
5	Harmonics filter	attenuate the harmonics of the power amplifiers to min 30 dBc			RX measurements
6	Directional coupler	50 MHz to 2.7 GHz, up to 100 W			RX measurements
7	Network analyzer or VSWR Bridge	100 kHz to 2.7 GHz	ZVR ZRC	1043.0009.61	Reflection coefficient/ VSWR RF connectors

Test Setups

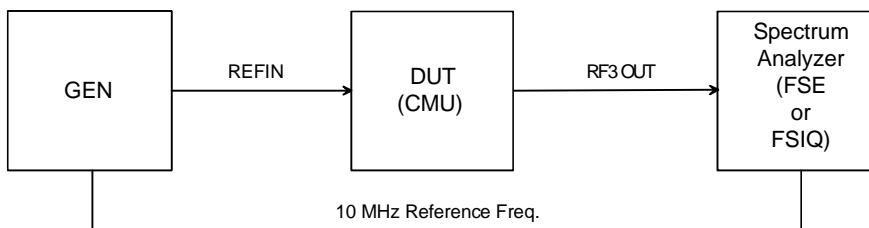
The quality of the test setup has an effect on the measurement procedures.

Note: Make sure to use only high-quality coax cables and coax connectors as well as calibrated measuring equipment.

Reference Frequencies

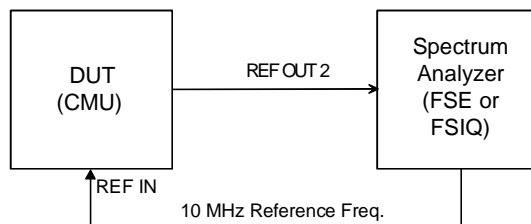
Test setup REF1:

REF1



Test setup REF2:

REF2



TX Level Measurements

Test setup TX1, TX2, TX3, TX4 (depending on level range):

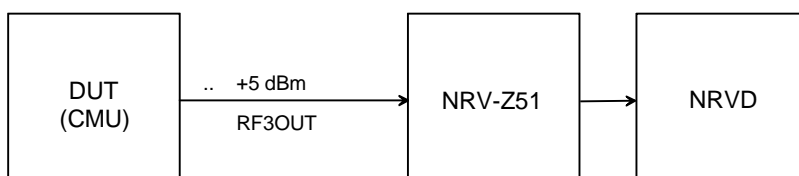
- Normalize spectrum analyzer (FSIQ) to wideband power meter (NRVD) at *Max. Level* setting of the CMU (test setups TX1, TX2, TX3).

The attenuator of the spectrum analyzer must be held at this position over 60 dB.

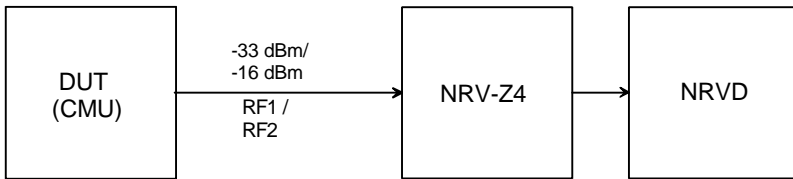
- Normalize spectrum analyzer with preamplifier to spectrum analyzer at last level (test setups TX3, TX4).

The attenuator of the spectrum analyzer must be held at this position over 60 dB.

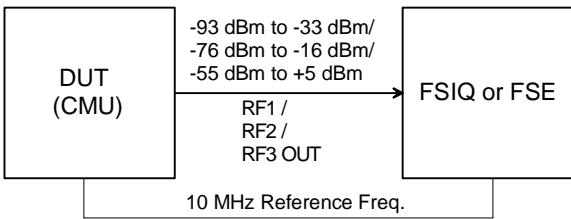
TX1



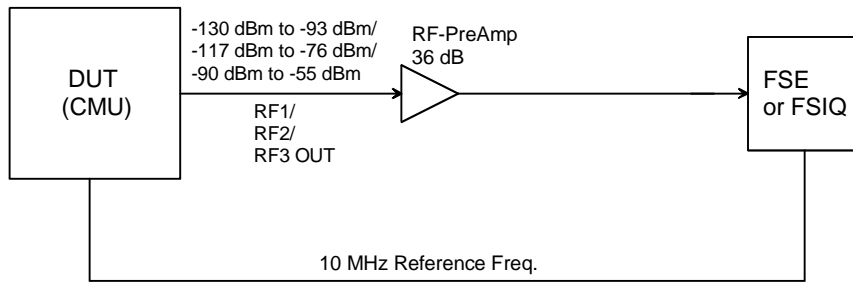
TX2



TX3

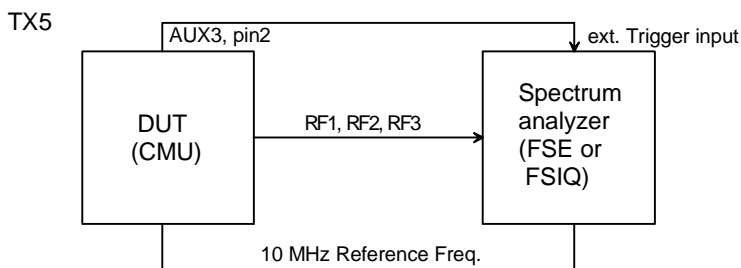


TX4



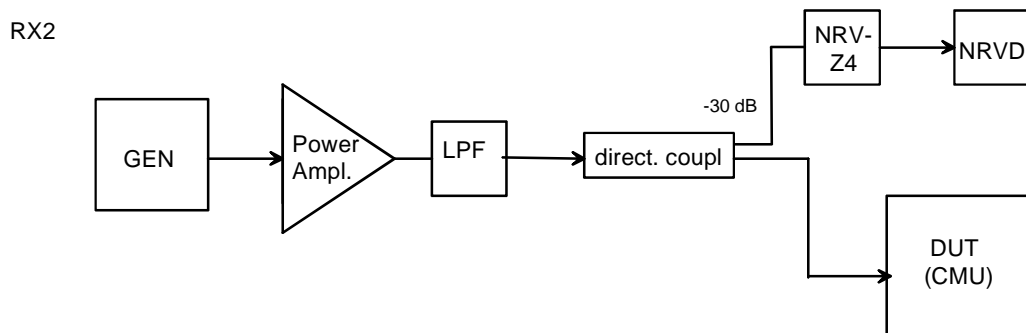
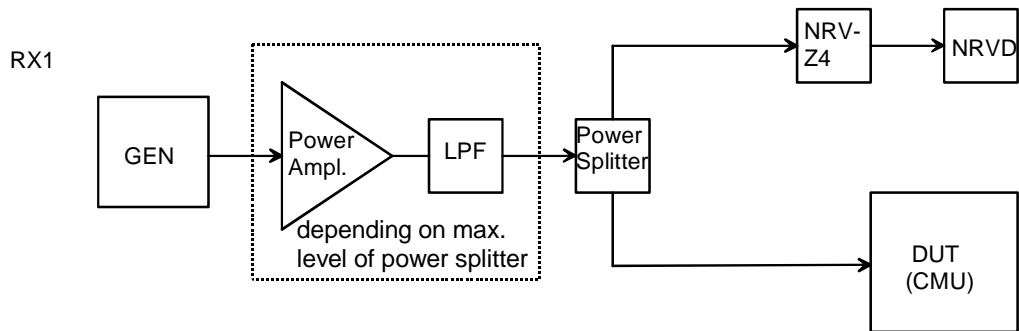
General TX measurements

Test setup TX5:



RX Level measurements

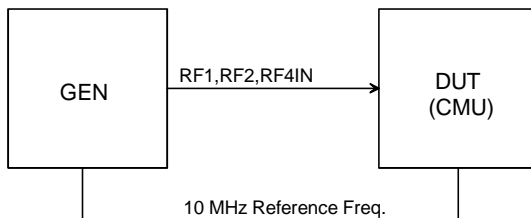
Test setup RX1, RX2 (depending on level range):



General RX Measurements

Test setup RX3:

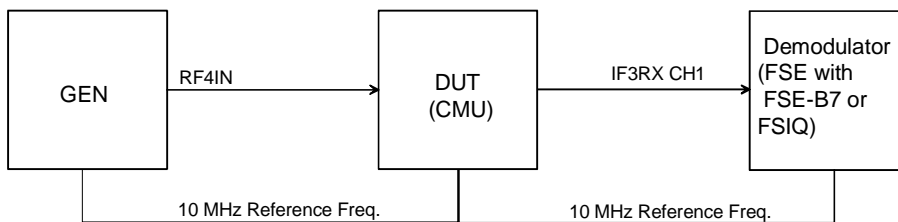
RX3



RX Demodulation Measurements

Test setup RX4:

RX4



Tolerance Analysis

Due to the small measurement uncertainty of the CMU, the measuring equipment must meet stringent requirements. Since the measurement uncertainty of the measuring equipment to be achieved depends on the test setup used, it is recommended to perform a tolerance analysis.

To be able to trace back errors in the measurement, the measurement uncertainty should also be indicated in the test report.

The tolerances given in the test report refer to the values specified in the data sheet, ie the measurement uncertainties of the test setup used are to be taken into account as well.

Unless otherwise specified, the specified tolerances are always to be observed.

Note: *Please take into account the ETSI Technical Report ETR 028.
The given tolerances refer to CMU data sheet 04/99.*

Manual Test Procedure

Some additional measurements can only be performed using a mobile phone via the normal operating menus of the CMU. These measurements are described in the section 'Function Test with Mobile Stations'.

The suggested frequencies and levels at which the measurements should be performed have been selected according to the instrument concept. The user can of course also select other frequencies and levels within the scope of values guaranteed in the data sheet.

Note: Before testing the rated specifications, allow the instrument to warm up for at least 15 min. The ambient temperature should be 23 °C to 26 °C.

Selftest

The CMU offers various selftest options for checking the functioning and for troubleshooting. Before carrying out the performance test, the *Maintenance* menu in the *BASE* function group should be called up and the following selftests should be performed:

- *Continuous Selftest*
- *1→4/3→2 RF Loop Test*

Preparation: ➤ Start user SW of the CMU (switch on instrument).

Test: ➤ Select the individual test in the BASE (MAINTENANCE) menu and check the results (*Continuous Selftest*, *1→4/3→2 RF Loop Test*).

Note: The Continuous Selftest combines the System Selftest and Internal RF Loop Selftest. In this test, only a passed/failed message with error output is indicated. In case of errors, an error file 'cst.err' is created in addition.

1→4/3→2 RF Loop Test: Selftest RF Path RF1→RF4 IN and RF3 OUT→RF2 via external N-coax cable by power measurements via internal generator and analyzer. In this test, all measured values are indicated.

To obtain more detailed information start the following tests:

System selftest:	<i>Selftest of the instrument for diagnostic voltages; only a passed/failed message with error output is indicated.</i>
Internal RF Loop Selftest:	<i>Selftest of the RF path by means of power measurements via internal generator and analyzer. All measured values are indicated.</i>
FE Selftest:	<i>Selftest of the RF FRONTEND module via diagnostic voltages. All measured values are indicated.</i>
REF Selftest:	<i>Selftest of the REFERENCE BOARD module via diagnostic voltages. All measured values are indicated.</i>
DIG Selftest:	<i>Selftest of the DIGITAL BOARD module via diagnostic voltages. All measured values are indicated.</i>
RXTX1 Selftest:	<i>Selftest of the RXTX1 BOARD module via diagnostic voltages. All measured values are indicated.</i>

Interface Test

IEC-bus Interface

Preparation: ➤ Connect the IEC-bus interfaces of the CMU and the controller via IEC-bus cables.

Test: ➤ Send the string '*IDN?<CR><NL>' from the controller to the CMU and read the reply *STRING* of the CMU.

The reply *STRING* must contain the following message:

'ROHDE & SCHWARZ,CMU<Var>,<Ser_Nr>,<Firmware_Vers._Nr>'

RS-232 Interface

Preparation: ➤ Connect the RS-232 interfaces of the CMU and the controller via null-modem cables (cf. page 5.1.1, "Measuring Instruments and Auxiliary Equipment").

Set the RS-232 interface of the controller to 8 data bits, 1 start bit, 1 stop bit, no parity bit, XON/XOFF handshake and 19200 baud.

Test: ➤ Send the string '*IDN?<CR><NL>' from the controller to the CMU and read the reply string of the CMU.

The reply string must contain the following message:

'ROHDE & SCHWARZ,CMU<Var>,<Ser_Nr>,<Firmware_Vers._No>'

Reference Frequencies

For different range of adjustment of the internal reference oscillator, the synchronization with an external reference frequency is checked.

Note: *The resolution of the frequency counter/analyzer should be max. 1/10 of the maximum permissible deviation.*

REF IN

The frequency and level ranges and the pull-in range are checked. The signal generator and the frequency counter must be synchronized (test setup REF1).

Preparation: ➤ Feed in at REF IN: 52 MHz sinewave, 0.5 V(rms)

➤ Connect frequency counter to RF3 OUT.

Control: Set CMU to external reference 52 MHz, RF 1 GHz (menu *RF ANALYZER/GENERATOR*.)

Test: Use frequency counter to measure frequency deviation from 1 GHz.

- Preparation: ➤ Feed in at REF IN: 1 MHz sinewave, 0.5 V(rms).
 ➤ Connect frequency counter to RF3 OUT.
- Control: ➤ Set CMU to external reference 1 MHz, RF 1 GHz.
- Test: ➤ Use frequency counter to measure frequency deviation from 1 GHz.
-
- Preparation: ➤ Feed in at REF IN: 10.000 050 MHz sinewave, 1.4 V(rms).
 ➤ Connect frequency counter to RF3 OUT.
- Control: ➤ Set CMU to external reference 10 MHz, RF 1 GHz.
- Test: ➤ Use frequency counter to measure frequency deviation from 1.000 005 000 GHz.
-
- Preparation: ➤ Feed in at REF IN: 9.999 950 MHz sinewave, 1.4 V(rms).
 ➤ Connect frequency counter to RF3 OUT.
- Control: ➤ Set CMU to external reference 10 MHz, RF 1 GHz.
- Test: ➤ Use frequency counter to measure frequency deviation from 0.999 995 GHz.

REF OUT 1

The level and frequency are checked.

- Int. 10 MHz:** ➤ Set CMU to internal reference.
 ➤ Measure at REF OUT 1: 10 MHz, level > 1.4 V(pp).

- REF IN signal:** ➤ Set CMU to external reference.
 ➤ Feed in at REF IN: 52 MHz TTL, (as an alternative +16 dBm from signal)
 ➤ Measure at REF OUT 1: 52 MHz, level > 1.4 V(pp).
 ➤ Measure at REF OUT 1: frequency 52 MHz \pm 1 Hz
 ➤ Feed in at REF IN: 1 MHz TTL, (as an alternative +16 dBm from signal generator).
 ➤ Measure at REF OUT 1: 1 MHz, level > 0.5 V(rms) (1.4 V(pp)).
 ➤ Measure at REF OUT 1: frequency 1 MHz \pm 1 Hz.

REF OUT 2

The level and frequency are checked. The CMU and the frequency counter must be synchronized (test setup REF2).

- REF OUT 2 signal 13 MHz:** ➤ Set CMU to external reference.
 ➤ Feed in at REF IN: 10 MHz sinewave, 0.5 V(rms).
 ➤ Set CMU to REF OUT 2 13 MHz or 10 MHz (depending on SW; menu Connection Control/Synch.).
 ➤ Measure at REF OUT 2: 13 MHz or 10 MHz, level > 1.0 V(pp).
 ➤ Measure at REF OUT 2: frequency 13 MHz or 10 MHz \pm 1 Hz.

TX Frequency Accuracy

- Preparation: Test setup TX5, but CMU not synchronized with frequency counter/analyzer and no external trigger.
CMU connector RF3 OUT.
- Control: ➤ Set CMU to desired frequency, level 0 dBm.
- Test: ➤ Determine frequency deviation from nominal frequency.

TX Frequency Settling Time

- Preparation: Test setup TX5, in addition trigger cable from CMU (D-sub connector AUX3, pin2) to analyzer.
CMU connector RF3 OUT.
CMU: Ramping off, hopping on, F1 = start freq., F2 = stop freq.
Analyzer: Sweep time 1 ms, Center = stop frequency, FM demodulation, real time off, BW 50 kHz, 1 kHz/Div, external trigger, Slope negative
- Control: ➤ Set CMU to desired frequencies and hopping, level 0 dBm.
- Test: Time from trigger point when the specified offset (< 1 kHz) from the stop frequency is reached.

TX Level Error

- Preparation: Test setup TX1 to TX4 (depending on level range).
- Control: ➤ Set CMU to desired connector, frequency and level (*RF Analyzer* must be *OFF*).
- Test: ➤ Measure the TX level of the CMU.
- Note:** *The given frequencies and levels are suggested values. Of course, it is also possible to use other values for the measurement.*

VSWR

- Preparation: ➤ Connect (scalar) network analyzer to RF1, RF2, RF3 OUT, RF4 IN one after the other.
Cable losses must be corrected.
- Control: CMU: Switch generator on and set level to minimum (–130 dBm or –90 dBm), switch RF wideband analyzer on (RF1/RF2/RF4 IN).
- Test: ➤ Measure VSWR at 10 MHz, 900 MHz, 1800 MHz, 2700 MHz.

TX Level Settling Time

- Preparation: Test setup TX5, in addition trigger cable from CMU (D-sub connector AUX3, pin2) to analyzer.
 CMU: Connector RF3 OUT 1GHz, Ramping On, Hopping Off.
 Analyzer: Sweep time = 40 μ s, Center = 1 GHz , Span = 0, RBW = 10 MHz, external trigger.
- Control: ➤ Set CMU to frequency = 1 GHz, specified level and ramping mode.
- Test: ➤ The time period from the trigger point to the point in time when the nominal level < 0.5 dB has been reached is measured.

TX Harmonics

- Preparation: Test setup TX5, no external trigger
 Analyzer: Center = 2 x f_{nom} or Center = 3 x f_{nom} , Span = 1 MHz.
- Control: ➤ Set CMU to connector RF1, specified frequency, level = -27 dBm.
- Test: The suppression of the signal at twice or three times the nominal frequency is measured relative to the nominal signal.
- Control: ➤ Set CMU to connector RF2, specified frequency, level = -10 dBm.
- Test: The suppression of the signal at twice or three times the nominal frequency is measured relative to the nominal signal.
- Control: ➤ Set CMU to connector RF3 OUT, specified frequency, level = +10 dBm.
- Test: The suppression of the signal at twice and three times the nominal frequency is measured relative to the nominal signal.

TX Non Harmonics

TX In-Band Spurious Signals

Spurious signals within the specified frequency bands are checked.

- Preparation Test setup TX5, no external trigger
 Analyzer Start/Stop = specified frequency range, RBW = 100 kHz
- Control: ➤ Set CMU to connector RF3 OUT, specified setting frequency, level = 0 dBm.
- Test: The suppression of the signal is measured at the test frequency relative to the set signal.

TX Fixed Spurious Signals

Fixed spurious signals are checked.

- Preparation: Test setup TX5, no external trigger.
Analyzer: Center = specified test frequency, RBW = 100 kHz, Span = 1 MHz.
- Control: ➤ Set CMU to connector RF3 OUT, specified setting frequency, specified level.
- Test: The suppression of the signal is measured at the test frequency relative to the set signal.

TX SSB Phase Noise

- Preparation Test setup TX5, no external trigger
➤ Connect spectrum analyzer or modulation analyzer to RF3 OUT.
- Control: ➤ Set CMU generator to specified RF frequency.
Output level at RF3 OUT 0 dBm,
Analyzer to specified center frequency,
Span = 50 kHz to 5 MHz, RBW = Span/500,
Noise measurement function.
- Test ➤ Measure the phase noise at the specified spacing from the carrier.

TX Residual FM

- Preparation: Test setup TX5, no external trigger.
➤ Connect spectrum analyzer or modulation analyzer to RF1.
- Control: ➤ Set CMU generator to the specified RF frequency.
Output level at RF1 -27 dBm, analyzer to specified center frequency, FM demodulator.
- Test: ➤ The residual FM with the specified weighting is measured.

TX Residual AM

- Preparation: Test setup TX5, no external trigger.
➤ Connect spectrum analyzer or modulation analyzer to RF1.
- Control: ➤ Set CMU generator to specified RF frequency.
Output level at RF1 -27 dBm, analyzer to specified center frequency, AM demodulator.
- Test: ➤ The residual AM with the specified weighting is measured.

TX Carrier/Sideband Suppression, Max. Distortion

The modulation quality of the analog IQ modulator of the CMU is measured.

- Preparation Test setup TX5, no external trigger.
- Connect spectrum analyzer to RF3 OUT.
- Control:
- Set CMU generator to specified RF frequency.
Output level at RF3 OUT, 0 dBm,
 - Switch on RF generator with offset modulation, 300- kHz baseband filter,
 - Set analyzer to center frequency $f_c = 1000$ MHz, Span = 300 kHz / 3 MHz
- Test: The suppression of the carrier at f_c is measured relative to the useful sideband signal at $f_c + f_{mod}$.

RX Power Meter (Frequency-Selective)

- Preparation: Test setup RX1, RX2 (depending on level range).
- Control:
- Set CMU to desired RX frequency and level and Input in menu *RF ANALYZER/ GENERATOR*.
Measuring Bandwidth = 1 kHz.
- Test: ➤ Measure RX level measurement accuracy of CMU.
- Note:** *The given frequencies and levels are suggested values; of course, it is also possible to use other values for the measurement.*

RX Power Meter (Wideband)

- Preparation Test setup RX1, RX2 (depending on level range).
- Control:
- Set CMU to desired RX connector, frequency and level and Input in menu *RF Analyzer/ Generator*.
Measuring Bandwidth = Wide
- Test: ➤ Measure RX level measurement accuracy of CMU.
- Note:** *The given frequencies and levels are suggested values; of course, it is also possible to use other values for the measurement.*

RX Harmonics

- Preparation: Test setup RX3,
Generator = f_{in} ; level = 0 dBm.
- Control:
- Set CMU to connector RF2, *Max Level* = 2 dBm.

- Test: ➤ The suppression of the signal at twice and three times the input frequency is measured relative to the input signal.
- Preparation: Test setup RX3
Generator = f_{in} ; level = -2 dBm
- Control: ➤ Set CMU to connector RF4 IN, *Max Level* = 0 dBm.
- Test: ➤ The suppression of the signal at twice and three times of input frequency is measured relative to the input signal.

RX Spurious Response / Image Rejection

- Preparation: Test setup RX3,
Generator = f_{in} ; level = 0 dBm.
- Control: ➤ Set CMU to connector RF2, *Max Level* = 2 dBm, *Mode* = *Low Distortion*
- Test: ➤ The suppression of the spurious or image signal is measured relative to the input signal.
- Preparation: Test setup RX3,
Generator = f_{in} ; level = -2 dBm.
- Control: ➤ Set CMU to connector RF4 IN, *Max level* = 0 dBm, *Mode* = *Low Distortion*
- Test: The suppression of the spurious or image signal is measured relative to the input signal.

RX SSB Phase Noise

- Preparation: Test setup RX3,
Generator = $f_{iCMU} + df$; level = 10 dBm.
- Control: ➤ Set CMU to connector RF2, *Max Level* = 10 dBm and to desired frequency.
➤ Switch on frequency-selective power meter.
- Test: The measurement is taken with a small test bandwidth at different carrier offsets.
- Note:** *The input level is +10 dBm, RBW = 100 Hz
--> Phase noise = measured value -10 dB -21 dB.*

RX Residual FM/AM

- Preparation: Test setup RX4,
Generator = f_{ICMU} ; level = -20 dBm.
- Control:
 - Set CMU to connector RF4 IN, *Max Level* = -20 dBm and to desired frequency.
 - Switch on frequency-selective power meter.
- Test: The measurement is taken with an external FM/AM demodulation instrument (FSE with FSE-B7) via the *IF3RXCH1* BNC connector at the rear panel of the CMU.
 - Set the FSE to desired frequency, ref. level, AF filters.

RX Dynamic/ Average Noise Level

- Preparation: No signal is fed in, CMU generator is OFF.
- Control: Set CMU to given receive frequency, *Max. Level, Bandwidth, Mode = Low Noise*.
- Test: Use frequency-selective power meter, measurement bandwidth = 1 kHz / 500 kHz, measured value in dB below reference level (*Max. Level*).

Options for CMU200

The following tests can be carried out only if the GSM-MS (CMU-K2x) software options are installed and enabled by entering a key code.

TX GSM Modulation

Only with options CMU-K21, CMU-K22, CMU-K23 or CMU-K24:

The GSM phase/frequency error of a TX path is measured.

Preparation: Test setup TX5:

- Connect spectrum analyzer FSIQ to RF3 OUT.

Control:

- Set CMU generator to specified RF frequency.

Output level at RF3 OUT 10 dBm
Training Sequence -> GSM0;
Bit Mod. -> PRBS
Transmission -> BURST

Settings at spectrum analyzer FSIQ:

Mode -> *Digital Standards* -> *GSM*

Mode -> *Meas Result* -> *Result Length* -> 146 (the useful part normally comprises 147 bits, however, the FSIQ can be set to an integer number of bits only and therefore cuts off 0.5 bits at the beginning and at the end of the measurement range)

Trigger -> *Find Sync* -> *ON*

Trigger -> *Sync Pattern* -> *gsm_bts0* (training sequence GSM0)

Trigger -> *Sync Offset* -> *60 symbols*

Test: Phase (rms and peak) and frequency errors are measured according to GSM recommendation.

RX GSM Demodulation

Only with option CMU-K21, CMU-K22, CMU-K23 or CMU-K24:

The GSM phase/frequency error of a RX path is measured.

Preparation: ➤ Connect GSM signal generator to RF2 (test setup RX3).

The signal generator must be synchronized with the CMU via the 10 MHz reference frequency.

Control:

Signal generator SMIQ: GSM signal at given frequency, level according to table, bursted with the following settings:

Digital Std -> *GSM/EDGE* -> *State* -> *ON*;

Digital Std -> *GSM/EDGE* -> *Select Slot* -> *Burst type* -> *NORM*

Digital Std -> *GSM/EDGE* -> *Select Slot* -> *Slot Level* -> *FULL*

Digital Std -> *GSM/EDGE* -> *Select Slot* -> *Data* -> *PN9*

Digital Std -> *GSM/EDGE* -> *Select Slot* -> *TSC* -> *TSC0*

CMU: GSM Non Signalling, *training sequence* = *GSM 0*, *trigger source* = *IF Power*, *Trigger Level* = *Medium*

Test:

- Measure GSM phase error (rms and peak) as well as frequency error.

Function Test with Mobile Stations (CMU200)

GSM mobile test

Only with Option CMU-K21, CMU-K22, CMU- K23 or CMU-K24.

Location Update
Call to MS
Call Release
Call from MS
Echo test
Power ramp, Phase/Frequency error measurement
Handover GSM900/1800

CDMA mobile test

Only with Option CMU-K81, CMU-K82.

Location Update
Call to MS
Call Release
Call from MS
Echo test

IS136-mobile test

Only with Option CMU-K27, CMU-K28.

Location Update
Call to MS
Call Release
Call from MS
Echo test

AMPS-mobile test

Only with Option CMU-K29.

Location Update
Call to MS
Call Release
Call from MS
Echo test

Test Report

ROHDE & SCHWARZ	Universal Radiocommunication Tester CMU	1100.0008
Serial number:		
Test person:		
Date:		
Signature:		

Table 1-2 Test report

Item No.	Description	Measurement to section	Min.	Actual	Max.	Measurement uncertainty	Unit
	Ambient temperature during calibration		23		26		°C
General Tests							
	CONTINUOUS SELFTEST		Passed		passed		
	1→4/3→2 RF LOOP TEST		Passed		passed		
	Adjusting +5 V DC REFERENCE VOLTAGE	Chapter 2	4.999		5.001		mV
	Adjusting TCXO 10 MHz at RF3 OUT 1 GHz (if none of the options CMU-B11 or CMU-B12 is installed)	Chapter 2	-50		+50		Hz
	Adjusting CMU-B11 OCXO 10 MHz at RF3 OUT 1GHz (if option CMU-B11 is installed)	Chapter 2	-10		+5		Hz
	Adjusting CMU-B12 OCXO 10 MHz at RF3 OUT 1GHz (if option CMU-B12 is installed)	Chapter 2	-10		+5		Hz
	REF IN 52 MHz	REF IN	-1		+1		Hz
	REF IN 1 MHz		-1		+1		Hz
	REF IN 10 MHz +50 Hz		-1		+1		Hz
	REF IN 10 MHz -50 Hz		-1		+1		Hz
	REF OUT 1 Int 10 MHz	REF OUT 1	1.4		5		V(pp)
	REF OUT 1 52 MHz		1.4		5		V(pp)
	REF OUT 1 52 MHz		-1		+1		Hz
	REF OUT 1 1 MHz		1.4		5		V(pp)
	REF OUT 1 1 MHz		-1		+1		Hz

Item No.	Description	Measurement to section	Min.	Actual	Max.	Measurement uncertainty	Unit
	REF OUT 2 13 MHz or 10 MHz	REF OUT 2	1		5		V(pp)
	REF OUT 2 13 MHz or 10 MHz		-1		+1		Hz
TX Frequency Accuracy							
	TX Frequency accuracy 2200 MHz	TX Frequency accuracy	-2200 -220 -11		+2200 (TCXO), +220 (B11), +11 (B12)		Hz
TX Frequency Settling							
	TX frequency settling time F1 = 100 MHz ->F2 = 200 MHz to <1 kHz	TX Frequency settling			400		µs
	TX frequency settling time F1 = 1800 MHz ->F2 = 1900 MHz to <1 kHz				400		µs
	TX frequency settling time F1 = 2200 MHz ->F2 = 2100 MHz to <1 kHz				400		µs
	TX frequency settling time F1 = 100 MHz ->F2 = 2200 MHz to <1 kHz				400		µs
	TX frequency settling time F1 = 2000 MHz ->F2 = 100 MHz to <1 kHz				400		µs
VSWR							
	VSWR RF1 10 MHz	VSWR			1.2		
	VSWR RF1 900 MHz				1.2		
	VSWR RF1 1800 MHz				1.2		
	VSWR RF1 2700 MHz				1.6		
	VSWR RF2 10 MHz				1.2		
	VSWR RF2 900 MHz				1.2		
	VSWR RF2 1800 MHz				1.2		
	VSWR RF2 2700 MHz				1.6		
	VSWR RF3 OUT 10 MHz				1.5		
	VSWR RF3 OUT 900 MHz				1.5		
	VSWR RF3 OUT 1800 MHz				1.5		
	VSWR RF3 OUT 2700 MHz				1.7		
	VSWR RF4 IN 10 MHz				1.5		
	VSWR RF4 IN 900 MHz				1.5		
	VSWR RF4 IN 1800 MHz				1.5		
	VSWR RF4 IN 2700 MHz				1.6		

Item No.	Description	Measurement to section	Min.	Actual	Max.	Measurement uncertainty	Unit
TX Level Settling Time							
	TX Level settling time at P = +10 dBm to $\Delta P = 0.5$ dB	TX level settling time			4		μ s
	TX Level settling time at P = -20 dBm to $\Delta P = 0.5$ dB				4		μ s
	TX Level settling time at P = -50 dBm to $\Delta P = 0.5$ dB				4		μ s
TX Harmonics							
	TX 2nd harmonic at RF2 at carrier frequency = 10 MHz	TX harmonics			-30		dBc
	TX 2nd harmonic at RF2 at carrier frequency = 900 MHz				-30		dBc
	TX 2nd harmonic at RF2 at carrier frequency = 1800 MHz				-30		dBc
	TX 2nd harmonic at RF2 at carrier frequency = 2200 MHz				-30		dBc
	TX 3rd harmonic at RF2 at carrier frequency = 10 MHz				-30		dBc
	TX 3rd harmonic at RF2 at carrier frequency = 900 MHz				-30		dBc
	TX 3rd harmonic at RF2 at carrier frequency = 1800 MHz				-30		dBc
	TX 3rd harmonic at RF2 at carrier frequency = 2200 MHz				-30		dBc
	TX 2nd harmonic at RF3 OUT at carrier frequency = 10 MHz				-20		dBc
	TX 2nd harmonic at RF3 OUT at carrier frequency = 900 MHz				-20		dBc
	TX 2nd harmonic at RF3 OUT at carrier frequency = 1800 MHz				-20		dBc
	TX 2nd harmonic at RF3 OUT at carrier frequency = 2200 MHz				-20		dBc
	TX 3rd harmonic at RF3 OUT at carrier frequency = 10 MHz				-20		dBc
	TX 3rd harmonic at RF3 OUT at carrier frequency = 900 MHz				-20		dBc
	TX 3rd harmonic at RF3 OUT at carrier frequency = 1800 MHz				-20		dBc
	TX 3rd harmonic at RF3 OUT at carrier frequency = 2200 MHz				-20		dBc
TX In-band Spurious Responses							
	TX In-band spurious CMU setting = 460.9 MHz search freq. ± 5.500 kHz from carrier	TX in-band spurious responses			-40		dBc

Item No.	Description	Measurement to section	Min.	Actual	Max.	Measurement uncertainty	Unit
	TX In-band spurious CMU setting = 468.1 MHz search freq. \pm 5.500 kHz from carrier				-40		dBc
	TX In-band spurious CMU setting = 489.3 MHz search freq. \pm 5.500 kHz from carrier				-40		dBc
	TX In-band spurious CMU setting = 496.5 MHz search freq. \pm 5.500 kHz from carrier				-40		dBc
	TX In-band spurious CMU setting = 925.5 MHz search freq. \pm 5.500 kHz from carrier				-40		dBc
	TX In-band spurious CMU setting = 960.5 MHz search freq. \pm 5.500 kHz from carrier				-40		dBc
	TX In-band spurious CMU setting = 1805.5 MHz search freq. \pm 5.500 kHz from carrier				-40		dBc
	TX In-band spurious CMU setting = 1880.5 MHz search freq. \pm 5.500 kHz from carrier				-40		dBc
	TX In-band spurious CMU setting = 869.5 MHz search freq. \pm 5.500 kHz from carrier				-40		dBc
	TX In-band spurious CMU setting = 894.5 MHz search freq. \pm 5.500 kHz from carrier				-40		dBc
	TX In-band spurious CMU setting = 1930.5 MHz search freq. \pm 5.500 kHz from carrier				-40		dBc
	TX In-band spurious CMU setting = 1990.5 MHz search freq. \pm 5.500 kHz from carrier				-40		dBc
	TX In-band spurious CMU setting = 1920.5 MHz search freq. \pm 5.500 kHz from carrier				-40		dBc
	TX In-band spurious CMU setting = 1980.5 MHz search freq. \pm 5.500 kHz from carrier				-40		dBc
	TX In-band spurious CMU setting = 2110.5 MHz search freq. \pm 5.500 kHz from carrier				-40		dBc
	TX In-band spurious CMU setting = 2170.5 MHz search freq. \pm 5.500 kHz from carrier				-40		dBc
TX Fixed Spurious Responses							
	TX fixed spurious, CMU setting = 14.35 MHz search freq. 13.85 MHz Level = -20 dBm	TX fixed spurious			-40		dBc

Item No.	Description	Measurement to section	Min.	Actual	Max.	Measurement uncertainty	Unit
	TX fixed spurious, CMU setting = 37.4333 MHz search freq. 36.9333 MHz Level = -20 dBm				-40		dBc
	TX fixed spurious, CMU setting = 42.05 MHz search freq. 41.55 MHz Level = -20 dBm				-40		dBc
	TX fixed spurious, CMU setting = 111.3 MHz search freq. 110.8 MHz Level = -20 dBm				-40		dBc
	TX fixed spurious, CMU setting = 222.1 MHz search freq. 221.6 MHz Level = -20 dBm				-40		dBc
	TX fixed spurious, CMU setting = 332.9 MHz search freq. 332.4 MHz Level = -20 dBm				-40		dBc
	TX fixed spurious, CMU setting = 501.87 MHz search freq. 501.37 MHz Level = -20 dBm				-40		dBc
	TX fixed spurious, CMU setting = 1330.1 MHz search freq. 1329.6 MHz Level = 0 dBm				-40		dBc
	TX fixed spurious, CMU setting = 100 MHz search freq. 1917.12 MHz Level = 0 dBm				-40		dBc
	TX fixed spurious, CMU setting = 1300 MHz search freq. 2142.08 MHz Level = 0 dBm				-40		dBc
	TX fixed spurious, CMU setting = 2200 MHz search freq. 3042.08 MHz Level = 0 dBm				-40		dBc
	TX fixed spurious, CMU setting = 100 MHz search freq. 86.15 MHz Level = +10 dBm				-40		dBc
	TX fixed spurious, CMU setting = 100 MHz search freq. 113.85 MHz Level = +10 dBm				-40		dBc

Item No.	Description	Measurement to section	Min.	Actual	Max.	Measurement uncertainty	Unit
	TX fixed spurious, CMU setting = 100 MHz search freq. 1817.12 MHz Level = +10 dBm				-40		dBc
	TX fixed spurious, CMU setting = 100 MHz search freq. 1917.12 MHz Level = +10 dBm				-40		dBc
	TX fixed spurious, CMU setting = 900 MHz search freq. 917.12 MHz Level = +10 dBm				-40		dBc
	TX fixed spurious, CMU setting = 900 MHz search freq. 1817.12 MHz Level = +10 dBm				-40		dBc
	TX fixed spurious, CMU setting = 1199 MHz search freq. 618.12 MHz Level = +10 dBm				-40		dBc
	TX fixed spurious, CMU setting = 1199 MHz search freq. 1817.12 MHz Level = +10 dBm				-40		dBc
	TX fixed spurious, CMU setting = 1201 MHz search freq. 842.08 MHz Level = +10 dBm				-40		dBc
	TX fixed spurious, CMU setting = 1201 MHz search freq. 1684.16 MHz Level = +10 dBm				-40		dBc
	TX fixed spurious, CMU setting = 1201 MHz search freq. 2043.08 MHz Level = +10 dBm				-40		dBc
	TX fixed spurious, CMU setting = 1201 MHz search freq. 2885.16 MHz Level = +10 dBm				-40		dBc
	TX fixed spurious, CMU setting = 1700 MHz search freq. 842.08 MHz Level = +10 dBm				-40		dBc
	TX fixed spurious, CMU setting = 1700 MHz search freq. 2542.08 MHz Level = +10 dBm				-40		dBc

Item No.	Description	Measurement to section	Min.	Actual	Max.	Measurement uncertainty	Unit
	TX fixed spurious, CMU setting = 1800 MHz search freq. 842.08 MHz Level = +10 dBm				-40		dBc
	TX fixed spurious, CMU setting = 1800 MHz search freq. 1684.16 MHz Level = +10 dBm				-40		dBc
	TX fixed spurious, CMU setting = 1800 MHz search freq. 2642.08 MHz Level = +10 dBm				-40		dBc
	TX fixed spurious, CMU setting = 1900 MHz search freq. 842.08 MHz Level = +10 dBm				-40		dBc
	TX fixed spurious, CMU setting = 1900 MHz search freq. 1057.92 MHz Level = +10 dBm				-40		dBc
	TX fixed spurious, CMU setting = 1900 MHz search freq. 1684.16 MHz Level = +10 dBm				-40		dBc
	TX fixed spurious, CMU setting = 1900 MHz search freq. 2742.08 MHz Level = +10 dBm				-40		dBc
	TX fixed spurious, CMU setting = 2199 MHz search freq. 842.08 MHz Level = +10 dBm				-40		dBc
	TX fixed spurious, CMU setting = 2199 MHz search freq. 1356.92 MHz Level = +10 dBm				-40		dBc
	TX fixed spurious, CMU setting = 2199 MHz search freq. 1684.16 MHz Level = +10 dBm				-40		dBc
	TX fixed spurious, CMU setting = 2199 MHz search freq. 3041.08 MHz Level = +10 dBm				-40		dBc
TX SSB Phase Noise							
	TX SSB phase noise f = 100 MHz, $\Delta f = 20$ kHz	TX SSB phase noise			-100		dBc
	TX SSB phase noise f = 100 MHz, $\Delta f = 250$ kHz				-110		dBc

Item No.	Description	Measurement to section	Min.	Actual	Max.	Measurement uncertainty	Unit
	TX SSB phase noise f = 100 MHz, Δf = 400 kHz				-110		dBc
	TX SSB phase noise f = 100 MHz, Δf = 1990 kHz				-110		dBc
	TX SSB phase noise f = 945 MHz, Δf = 20 kHz				-100		dBc
	TX SSB phase noise f = 945 MHz, Δf = 250 kHz				-110		dBc
	TX SSB phase noise f = 945 MHz, Δf = 400 kHz				-110		dBc
	TX SSB phase noise f = 945 MHz, Δf = 1990 kHz				-110		dBc
	TX SSB phase noise f = 1850 MHz, Δf = 20 kHz				-100		dBc
	TX SSB phase noise f = 1850 MHz, Δf = 250 kHz				-110		dBc
	TX SSB phase noise f = 1850 MHz, Δf = 400 kHz				-110		dBc
	TX SSB phase noise f = 1850 MHz, Δf = 1990 kHz				-110		dBc
	TX SSB phase noise f = 2200 MHz, Δf = 20 kHz				-100		dBc
	TX SSB phase noise f = 2200 MHz, Δf = 250 kHz				-110		dBc
	TX SSB phase noise f = 2200 MHz, Δf = 400 kHz				-110		dBc
	TX SSB phase noise f = 2200 MHz, Δf = 1990 kHz				-110		dBc
TX Residual FM							
	TX Residual FM at 1000 MHz 30 Hz to 15 kHz, rms				50		Hz
	TX Residual FM at 1000 MHz 30 Hz to 15 kHz, peak				200		Hz
	TX Residual FM at 1000 MHz CCITT, rms				5		Hz
	TX Residual FM at 2000 MHz 30 Hz to 15 kHz, rms				50		Hz
	TX Residual FM at 2000 MHz 30 Hz to 15 kHz, peak				200		Hz
	TX Residual FM at 2000 MHz CCITT, rms				5		Hz
TX Residual AM							
	TX Residual AM at 500 MHz CCITT, rms				0.02		%
	TX Residual AM at 1000 MHz CCITT, rms				0.02		%

Item No.	Description	Measurement to section	Min.	Actual	Max.	Measurement uncertainty	Unit
	TX Residual AM at 1500 MHz CCITT, rms				0.02		%
	TX Residual AM at 2200 MHz CCITT, rms				0.02		%
TX Modulation characteristics							
	TX Modulation characteristics carrier suppression, $f_{mod} = 10$ kHz, $f_{RF} = 1000$ MHz				-40		dBc
	TX Modulation characteristics carrier suppression, $f_{mod} = -20$ kHz, $f_{RF} = 1000$ MHz				-40		dBc
	TX Modulation characteristics carrier suppression, $f_{mod} = 20$ kHz, $f_{RF} = 1000$ MHz				-40		dBc
	TX Modulation characteristics carrier suppression, $f_{mod} = 30$ kHz, $f_{RF} = 1000$ MHz				-40		dBc
	TX Modulation characteristics carrier suppression, $f_{mod} = 60$ kHz, $f_{RF} = 1000$ MHz				-40		dBc
	TX Modulation characteristics carrier suppression, $f_{mod} = 100$ kHz, $f_{RF} = 1000$ MHz				-40		dBc
	TX Modulation characteristics carrier suppression, $f_{mod} = 135$ kHz, $f_{RF} = 1000$ MHz				-40		dBc
	TX Modulation characteristics carrier suppression, $f_{mod} = -135$ kHz, $f_{RF} = 1000$ MHz				-40		dBc
RX Harmonics							
	RX 2nd harmonic at RF2, $f_{IN} = 50$ MHz, CMU frequency = 100 MHz	RX harmonics			-30		dBc
	RX 2nd harmonic at RF2 $f_{IN} = 600$ MHz, CMU frequency = 1200 MHz				-30		dBc
	RX 2nd harmonic at RF2, $f_{IN} = 625$ MHz, CMU frequency = 1250 MHz				-30		dBc
	RX 2nd harmonic at RF2, $f_{IN} = 1100$ MHz, CMU frequency = 2200 MHz				-30		dBc
	RX 3rd harmonic at RF2, $f_{IN} = 50$ MHz, CMU frequency = 150 MHz				-30		dBc
	RX 3rd harmonic at RF2, $f_{IN} = 400$ MHz, CMU frequency = 1200 MHz				-30		dBc
	RX 3rd harmonic at RF2, $f_{IN} = 420$ MHz, CMU frequency = 1260 MHz				-30		dBc
	RX 3rd harmonic at RF2, $f_{IN} = 730$ MHz, CMU frequency = 2190 MHz				-30		dBc
	RX 2nd harmonic at RF4 IN, $f_{IN} = 50$ MHz, CMU frequency = 100 MHz				-20		dBc
	RX 2nd harmonic at RF4 IN, $f_{IN} = 600$ MHz, CMU frequency = 1200 MHz				-20		dBc

Item No.	Description	Measurement to section	Min.	Actual	Max.	Measurement uncertainty	Unit
	RX 2nd harmonic at RF4 IN , $f_{IN} = 625$ MHz, CMU frequency = 1250 MHz				-20		dBc
	RX 2nd harmonic at RF4 IN , $f_{IN} = 1100$ MHz, CMU frequency = 2200 MHz				-20		dBc
	RX 3rd harmonic at RF4 IN , $f_{IN} = 50$ MHz, CMU frequency = 150 MHz				-20		dBc
	RX 3rd harmonic at RF4 IN , $f_{IN} = 400$ MHz, CMU frequency = 1200 MHz				-20		dBc
	RX 3rd harmonic at RF4 IN , $f_{IN} = 420$ MHz, CMU frequency = 1260 MHz				-20		dBc
	RX 3rd harmonic at RF4 IN , $f_{IN} = 730$ MHz, CMU frequency = 2190 MHz				-20		dBc
RX Spurious Response							
	RX inherent spurious response at RF2, $f_{IN} = 1876.03$ MHz, CMU frequency = 903 MHz	RX Spurious response			-50		dBc
	RX inherent spurious response at RF2, $f_{IN} = 881.6$ MHz, CMU frequency = 903 MHz				-50		dBc
	RX inherent spurious response at RF2, $f_{IN} = 843.085$ MHz, CMU frequency = 200 MHz				-50		dBc
	RX inherent spurious response at RF2, $f_{IN} = 421.5425$ MHz, CMU frequency = 200 MHz				-50		dBc
	RX inherent spurious response at RF2, $f_{IN} = 908.0575$ MHz, CMU frequency = 300 MHz				-50		dBc
	RX inherent spurious response at RF2, $f_{IN} = 605.3716667$ MHz, CMU frequency = 300 MHz				-50		dBc
	RX inherent spurious response at RF2, $f_{IN} = 454.02875$ MHz, CMU frequency = 300 MHz				-50		dBc
	RX inherent spurious response at RF2, $f_{IN} = 500$ MHz, CMU frequency = 505.35 MHz				-50		dBc
	RX inherent spurious response at RF2, $f_{IN} = 968.0575$ MHz, CMU frequency = 60 MHz				-50		dBc
	RX inherent spurious response at RF2, $f_{IN} = 1200$ MHz, CMU frequency = 291.9425 MHz				-50		dBc
	RX inherent spurious response at RF2, $f_{IN} = 645.3716667$ MHz, CMU frequency = 60 MHz				-50		dBc
	RX inherent spurious response at RF2, $f_{IN} = 1200$ MHz, CMU frequency = 891.9425 MHz				-50		dBc
	RX inherent spurious response at RF2, $f_{IN} = 1936.115$ MHz, CMU frequency = 60 MHz				-50		dBc

Item No.	Description	Measurement to section	Min.	Actual	Max.	Measurement uncertainty	Unit
	RX inherent spurious response at RF2, $f_{IN} = 2200$ MHz, CMU frequency = 191.9425 MHz				-50		dBc
	RX inherent spurious response at RF2, $f_{IN} = 1226.97$ MHz, CMU frequency = 2200 MHz				-50		dBc
	RX inherent spurious response at RF2, $f_{IN} = 1821.4$ MHz, CMU frequency = 1800 MHz				-50		dBc
	RX inherent spurious response at RF2, $f_{IN} = 2936.17$ MHz, CMU frequency = 1250 MHz				-50		dBc
	RX inherent spurious response at RF2, $f_{IN} = 843.085$ MHz, CMU frequency = 2200 MHz				-50		dBc
	RX inherent spurious response at RF2, $f_{IN} = 421.5425$ MHz, CMU frequency = 2200 MHz				-50		dBc
	RX inherent spurious response at RF2, $f_{IN} = 281.0283333$ MHz, CMU frequency = 2200 MHz				-50		dBc
	RX inherent spurious response at RF2, $f_{IN} = 1816.115$ MHz, CMU frequency = 2200 MHz				-50		dBc
	RX inherent spurious response at RF2, $f_{IN} = 908.0575$ MHz, CMU frequency = 2200 MHz				-50		dBc
	RX inherent spurious response at RF2, $f_{IN} = 605.3716667$ MHz, CMU frequency = 2200 MHz				-50		dBc
	RX inherent spurious response at RF2, $f_{IN} = 1671.5425$ MHz, CMU frequency = 1250 MHz				-50		dBc
	RX inherent spurious response at RF2, $f_{IN} = 2200$ MHz, CMU frequency = 1778.4575 MHz				-50		dBc
	RX inherent spurious response at RF2, $f_{IN} = 1812.056667$ MHz, CMU frequency = 1250 MHz				-50		dBc
	RX inherent spurious response at RF2, $f_{IN} = 1681.5425$ MHz, CMU frequency = 1680 MHz				-50		dBc
	RX inherent spurious response at RF2, $f_{IN} = 1468.085$ MHz, CMU frequency = 1250 MHz				-50		dBc
	RX inherent spurious response at RF2, $f_{IN} = 1683.085$ MHz, CMU frequency = 1680 MHz				-50		dBc
	RX inherent spurious response at RF2, $f_{IN} = 1943.085$ MHz, CMU frequency = 2200 MHz				-50		dBc
	RX inherent spurious response at RF2, $f_{IN} = 978.7233333$ MHz, CMU frequency = 1250 MHz				-50		dBc

Item No.	Description	Measurement to section	Min.	Actual	Max.	Measurement uncertainty	Unit
	RX inherent spurious response at RF2, $f_{IN} = 1295.39$ MHz, CMU frequency = 2200 MHz				-50		dBc
	RX inherent spurious response at RF2, $f_{IN} = 1210.843333$ MHz, CMU frequency = 1210.743333 MHz				-50		dBc
	RX inherent spurious response at RF2, $f_{IN} = 1262.31375$ MHz, CMU frequency = 1260 MHz				-50		dBc
	RX inherent spurious response at RF4 IN, $f_{IN} = 968.0575$ MHz, CMU frequency = 60 MHz				-50		dBc
	RX inherent spurious response at RF4 IN, $f_{IN} = 1200$ MHz, CMU frequency = 291.9425 MHz				-50		dBc
	RX inherent spurious response at RF4 IN, $f_{IN} = 645.3716667$ MHz, CMU frequency = 60 MHz				-50		dBc
	RX inherent spurious response at RF4 IN, $f_{IN} = 1200$ MHz, CMU frequency = 891.9425 MHz				-50		dBc
	RX inherent spurious response at RF4 IN, $f_{IN} = 1936.115$ MHz, CMU frequency = 60 MHz				-50		dBc
	RX inherent spurious response at RF4 IN, $f_{IN} = 2200$ MHz, CMU frequency = 191.9425 MHz				-50		dBc
	RX inherent spurious response at RF4 IN, $f_{IN} = 1671.5425$ MHz, CMU frequency = 1250 MHz				-50		dBc
	RX inherent spurious response at RF4 IN, $f_{IN} = 2200$ MHz, CMU frequency = 1778.4575 MHz				-50		dBc
	RX inherent spurious response at RF4 IN, $f_{IN} = 1812.056667$ MHz, CMU frequency = 1250 MHz				-50		dBc
	RX inherent spurious response at RF4 IN, $f_{IN} = 1681.5425$ MHz, CMU frequency = 1680 MHz				-50		dBc
	RX inherent spurious response at RF4 IN, $f_{IN} = 1468.085$ MHz, CMU frequency = 1250 MHz				-50		dBc
	RX inherent spurious response at RF4 IN, $f_{IN} = 1683.085$ MHz, CMU frequency = 1680 MHz				-50		dBc
	RX inherent spurious response at RF4 IN, $f_{IN} = 1943.085$ MHz, CMU frequency = 2200 MHz				-50		dBc
	RX inherent spurious response at RF4 IN, $f_{IN} = 978.7233333$ MHz, CMU frequency = 1250 MHz				-50		dBc
	RX inherent spurious response at RF4 IN, $f_{IN} = 1295.39$ MHz, CMU frequency = 2200 MHz				-50		dBc

Item No.	Description	Measurement to section	Min.	Actual	Max.	Measurement uncertainty	Unit
	RX inherent spurious response at RF4 IN, $f_{IN} = 1210.843333$ MHz, CMU frequency = 1210.743333 MHz				-50		dBc
	RX inherent spurious response at RF4 IN, $f_{IN} = 1262.31375$ MHz, CMU frequency = 1260 MHz				-50		dBc
RX SSB Phase Noise							
	RX SSB phase noise at RF2 $f = 100$ MHz, $\Delta f = +20$ kHz	RX SSB phase noise			-100		
	RX SSB phase noise at RF2 $f = 100$ MHz, $\Delta f = +250$ kHz				-110		
	RX SSB phase noise at RF2 $f = 100$ MHz, $\Delta f = +400$ kHz				-118		
	RX SSB phase noise at RF2 $f = 100$ MHz, $\Delta f = +1990$ kHz				-118		
	RX SSB phase noise at RF2 $f = 945$ MHz, $\Delta f = +20$ kHz				-100		dBc/Hz
	RX SSB phase noise at RF2 $f = 945$ MHz, $\Delta f = +250$ kHz				-110		dBc/Hz
	RX SSB phase noise at RF2 $f = 945$ MHz, $\Delta f = +400$ kHz				-118		dBc/Hz
	RX SSB phase noise at RF2 $f = 945$ MHz, $\Delta f = +1990$ kHz				-118		dBc/Hz
	RX SSB phase noise at RF2 $f = 1850$ MHz, $\Delta f = -20$ kHz				-100		dBc/Hz
	RX SSB phase noise at RF2 $f = 1850$ MHz, $\Delta f = -250$ kHz				-110		dBc/Hz
	RX SSB phase noise at RF2 $f = 1850$ MHz, $\Delta f = -400$ kHz				-118		dBc/Hz
	RX SSB phase noise at RF2 $f = 1850$ MHz, $\Delta f = -1990$ kHz				-118		dBc/Hz
	RX SSB phase noise at RF2 $f = 2200$ MHz, $\Delta f = -20$ kHz				-100		dBc/Hz
	RX SSB phase noise at RF2 $f = 2200$ MHz, $\Delta f = -250$ kHz				-110		dBc/Hz
	RX SSB phase noise at RF2 $f = 2200$ MHz, $\Delta f = -400$ kHz				-118		dBc/Hz
	RX SSB phase noise at RF2 $f = 2200$ MHz, $\Delta f = -1990$ kHz				-118		dBc/Hz
RX Residual FM/AM							
	RX Residual FM at 500 MHz at RF4 IN, -20 dBm 30Hz to 15 kHz, rms	RX residual FM/AM			50		Hz
	RX Residual FM at 500 MHz at RF4 IN, -20 dBm 30Hz to 15 kHz, peak				200		Hz

Item No.	Description	Measurement to section	Min.	Actual	Max.	Measurement uncertainty	Unit
	RX Residual FM at 500 MHz at RF4 IN, -20 dBm CCITT, rms				5		Hz
	RX Residual AM at 500 MHz at RF4 IN, -20 dBm CCITT, rms				0.02		%
	RX Residual FM at 900 MHz at RF4 IN, -20 dBm 30Hz to 15 kHz, rms				50		Hz
	RX Residual FM at 900 MHz at RF4 IN, -20 dBm 30Hz to 15 kHz, peak				200		Hz
	RX Residual FM at 900 MHz at RF4 IN, -20 dBm CCITT, rms				5		Hz
	RX Residual AM at 900 MHz at RF4 IN, -20 dBm CCITT, rms				0.02		%
	RX Residual FM at 1900 MHz at RF4 IN, -20 dBm 30Hz to 15 kHz, rms				50		Hz
	RX Residual FM at 1900 MHz at RF4 IN, -20 dBm 30Hz to 15 kHz, peak				200		Hz
	RX Residual FM at 1900 MHz at RF4 IN, -20 dBm CCITT, rms				5		Hz
	RX Residual AM at 1900 MHz at RF4 IN, -20 dBm CCITT, rms				0.02		%
	RX Residual FM at 2100 MHz at RF4 IN, -20 dBm 30Hz to 15 kHz, rms				50		Hz
	RX Residual FM at 2100 MHz at RF4 IN, -20 dBm 30Hz to 15 kHz, peak				200		Hz
	RX Residual FM at 2100 MHz at RF4 IN, -20 dBm CCITT, rms				5		Hz
	RX Residual AM at 2100 MHz at RF4 IN, -20 dBm CCITT, rms				0.02		%
	RX Residual FM at 2500 MHz at RF4 IN, -20 dBm 30Hz to 15 kHz, rms				50		Hz
	RX Residual FM at 2500 MHz at RF4 IN, -20 dBm 30Hz to 15 kHz, peak				200		Hz
	RX Residual FM at 2500 MHz at RF4 IN, -20 dBm CCITT, rms				5		Hz
	RX Residual AM at 2500 MHz at RF4 IN, -20 dBm CCITT, rms				0.02		%

Item No.	Description	Measurement to section	Min.	Actual	Max.	Measurement uncertainty	Unit
RX Average Noise Level							
	RX average noise level RF1, RBW = 1 kHz, expPow = 47 dBm, f = 10 MHz	RX average noise level			-100		dBc
	RX average noise level RF1, RBW = 1 kHz, expPow = 47 dBm, f = 500 MHz				-100		dBc
	RX average noise level RF1, RBW = 1 kHz, expPow = 47 dBm, f = 1000 MHz				-100		dBc
	RX average noise level RF1, RBW = 1 kHz, expPow = 47 dBm, f = 1500 MHz				-100		dBc
	RX average noise level RF1, RBW = 1 kHz, expPow = 47 dBm, f = 2200 MHz				-100		dBc
	RX average noise level RF1, RBW = 1 kHz, expPow = 47 dBm, f = 2700 MHz				-95		dBc
	RX average noise level RF1, RBW = 1 kHz, expPow = 10 dBm, f = 10 MHz				-100		dBc
	RX average noise level RF1, RBW = 1 kHz, expPow = 10 dBm, f = 500 MHz				-100		dBc
	RX average noise level RF1, RBW = 1 kHz, expPow = 10 dBm, f = 1000 MHz				-100		dBc
	RX average noise level RF1, RBW = 1 kHz, expPow = 10 dBm, f = 1500 MHz				-100		dBc
	RX average noise level RF1, RBW = 1 kHz, expPow = 10 dBm, f = 2200 MHz				-100		dBc
	RX average noise level RF1, RBW = 1 kHz, expPow = 10 dBm, f = 2700 MHz				-95		dBc
	RX average noise level RF2, RBW = 500 kHz, expPow = 33 dBm, f = 10 MHz				-73		dBc
	RX average noise level RF2, RBW = 500 kHz, expPow = 33 dBm, f = 500 MHz				-73		dBc
	RX average noise level RF2, RBW = 500 kHz, expPow = 33 dBm, f = 1000 MHz				-73		dBc
	RX average noise level RF2, RBW = 500 kHz, expPow = 33 dBm, f = 1500 MHz				-73		dBc
	RX average noise level RF2, RBW = 500 kHz, expPow = 33 dBm, f = 2200 MHz				-73		dBc

Item No.	Description	Measurement to section	Min.	Actual	Max.	Measurement uncertainty	Unit
	RX average noise level RF2, RBW = 500 kHz, expPow = 33 dBm, f = 2700 MHz				-68		dBc
	RX average noise level RF2, RBW = 500 kHz, expPow = -4 dBm, f = 10 MHz				-73		dBc
	RX average noise level RF2, RBW = 500 kHz, expPow = -4 dBm, f = 500 MHz				-73		dBc
	RX average noise level RF2, RBW = 500 kHz, expPow = -4 dBm, f = 1000 MHz				-73		dBc
	RX average noise level RF2, RBW = 500 kHz, expPow = -4 dBm, f = 1500 MHz				-73		dBc
	RX average noise level RF2, RBW = 500 kHz, expPow = -4 dBm, f = 2200 MHz				-73		dBc
	RX average noise level RF2, RBW = 500 kHz, expPow = -4 dBm, f = 2700 MHz				-68		dBc
	RX average noise level RF4 IN, RBW = 1 kHz, expPow = -22 dBm, f = 10 MHz				-100		dBc
	RX average noise level RF4 IN, RBW = 1 kHz, expPow = 0 dBm, f = 500 MHz				-100		dBc
	RX average noise level RF4 IN, RBW = 1 kHz, expPow = 0 dBm, f = 1000 MHz				-100		dBc
	RX average noise level RF4 IN, RBW = 1 kHz, expPow = 0 dBm, f = 1500 MHz				-100		dBc
	RX average noise level RF4 IN, RBW = 1 kHz, expPow = 0 dBm, f = 2200 MHz				-100		dBc
	RX average noise level RF4 IN, RBW = 1 kHz, expPow = 0 dBm, f = 2700 MHz				-95		dBc
	RX average noise level RF4 IN, RBW = 1 kHz, expPow = -22 dBm, f = 10 MHz				-100		dBc
	RX average noise level RF4 IN, RBW = 1 kHz, expPow = -22 dBm, f = 500 MHz				-100		dBc
	RX average noise level RF4 IN, RBW = 1 kHz, expPow = -22 dBm, f = 1000 MHz				-100		dBc
	RX average noise level RF4 IN, RBW = 1 kHz, expPow = -22 dBm, f = 1500 MHz				-100		dBc
	RX average noise level RF4 IN, RBW = 1 kHz, expPow = -22 dBm, f = 2200 MHz				-100		dBc

Item No.	Description	Measurement to section	Min.	Actual	Max.	Measurement uncertainty	Unit
	RX average noise level RF4 IN, RBW = 1 kHz, expPow = -22 dBm, f = 2700 MHz				-95		dBc

TX Generator level error at RF1 (measurement on frequency cal. points)

Frequency MHz	10, 100, 200, 300, 400, 500, 600, 700, 800, 1000, 1100, 1200, 1300, 1400, 1500, 1600, 1700, , 2100, 2200, 2300, 2400, 2500, 2600, 2700	820, 840, 860, 880, 900, 920, 940, 960, 1710, 1730, 1750, 1770, 1790, 1810, 1830, 1850, 1870, 1890, 1910, 1930, 1950, 1970, 1990
Level in dBm	-33, -55, -73, -87, -106, -117, -130	-33, -55, -73, -87, -106, -117, -130
Tolerance	See data sheet: Base Unit RF Generator	See data sheet: GSM Specification RF Generator

TX Generator level error at RF2 (measurement on frequency cal. points)

Frequency MHz	10, 100, 200, 300, 400, 500, 600, 700, 800, 1000, 1100, 1200, 1300, 1400, 1500, 1600, 1700, , 2100, 2200, 2300, 2400, 2500, 2600, 2700	820, 840, 860, 880, 900, 920, 940, 960, 1710, 1730, 1750, 1770, 1790, 1810, 1830, 1850, 1870, 1890, 1910, 1930, 1950, 1970, 1990
Level in dBm	-16, -41, -59, -73, -95, -106, -117	-16, -41, -59, -73, -95, -106, -117
Tolerance	See data sheet: Base Unit RF Generator	See data sheet: GSM Specification RF Generator

TX Generator level error at RF3 OUT (measurement on frequency cal. points)

Frequency MHz	10, 100, 200, 300, 400, 500, 600, 700, 800, 1000, 1100, 1200, 1300, 1400, 1500, 1600, 1700, , 2100, 2200, 2300, 2400, 2500, 2600, 2700	820, 840, 860, 880, 900, 920, 940, 960, 1710, 1730, 1750, 1770, 1790, 1810, 1830, 1850, 1870, 1890, 1910, 1930, 1950, 1970, 1990
Level in dBm	+5, -18, -36, -50, -72, -80, -90	+5, -18, -36, -50, -72, -80, -90
Tolerance	See data sheet: Base Unit RF Generator	See data sheet: GSM Specification RF Generator

RX Power meter (frequency selective) level error at RF1 (measurement on frequency cal. points)

Frequency in MHz	50, 100, 200, 300, 400, 500, 600, 700, 800, 1000, 1100, 1200, 1300, 1400, 1500, 1600, 1700, , 2000, 2100, 2200, 2300, 2400, 2500, 2600, 2700	450, 470, 490, 820, 840, 860, 880, 900, 920, 940, 960, 1720, 1740, 1760, 1780, 1800, 1820, 1840, 1860, 1880, 1900, 1920, 1940, 1960, 1980
Level in dBm	+47, +40, +33, +30, +25, +20, +15, +10, +6, 0, -5, -10, -15, -20, -25, -30, -35, -40 Note: P = -40 dBm is valid for f = 50 MHz to 2200 MHz only	+47, +40, +33, +30, +25, +20, +15, +10, +6, 0, -5, -10, -15, -20, -25, -30, -35, -40 Note: P = -40 dBm is valid for f = 50 MHz to 2200 MHz only
Tolerance	See data sheet: Base Unit RF Analyzer	See data sheet: GSM Specification RF Analyzer

RX Power meter (frequency selective) level error at RF2 (measurement on frequency cal. points)

Frequency in MHz	50, 100, 200, 300, 400, 500, 600, 700, 800, 1000, 1100, 1200, 1300, 1400, 1500, 1600, 1700, , 2000, 2100, 2200, 2300, 2400, 2500, 2600, 2700	450, 470, 490, 820, 840, 860, 880, 900, 920, 940, 960, 1720, 1740, 1760, 1780, 1800, 1820, 1840, 1860, 1880, 1900, 1920, 1940, 1960, 1980
Level in dBm	+33, +26, +19, +16, +11, +6, +1, -4, -8, -14, -19, -24, -29, -34, -39, -44, -49, -54 Note: P = -54 dBm is valid for f = 50 MHz to 2200 MHz only	+33, +26, +19, +16, +11, +6, +1, -4, -8, -14, -19, -24, -29, -34, -39, -44, -49, -54 Note: P = -54 dBm is valid for f = 50 MHz to 2200 MHz only
Tolerance	See data sheet: Base Unit RF Analyzer	See data sheet: GSM Specification RF Analyzer

RX Power meter (frequency selective) level error at RF4 IN (measurement on frequency cal. points)

Frequency in MHz	50, 100, 200, 300, 400, 500, 600, 700, 800, 1000, 1100, 1200, 1300, 1400, 1500, 1600, 1700, , 2000, 2100, 2200, 2300, 2400, 2500, 2600, 2700	450, 470, 490, 820, 840, 860, 880, 900, 920, 940, 960, 1720, 1740, 1760, 1780, 1800, 1820, 1840, 1860, 1880, 1900, 1920, 1940, 1960, 1980
Level in dBm	0, -6, -9, -14, -19, -24, -29, -33, -39, -44, -49, -54, -59, -64, -69, -74, -80 Note: P = -80 dBm is valid for f = 50 MHz to 2200 MHz only	0, -6, -9, -14, -19, -24, -29, -33, -39, -44, -49, -54, -59, -4, -69, -74, -80 Note: P = -80 dBm is valid for f = 50 MHz to 2200 MHz only
Tolerance	See data sheet: Base Unit RF Analyzer	See data sheet: GSM Specification RF Analyzer

RX Power meter (wideband) level error at RF1 (measurement on frequency cal. points)

Frequency in MHz	50, 100, 200, 300, 400, 500, 600, 700, 800, 1000, 1100, 1200, 1300, 1400, 1500, 1600, 1700, , 2000, 2100, 2200, 2300, 2400, 2500, 2600, 2700	450, 470, 490, 820, 840, 860, 880, 900, 920, 940, 960, 1720, 1740, 1760, 1780, 1800, 1820, 1840, 1860, 1880, 1900, 1920, 1940, 1960, 1980
Level in dBm	+47, +40, +33, +30, +25, +20, +15, +10 Note: P> +33 dBm is calibrated from 800 MHz to 2000 MHz only;	+47, +40, +33, +30, +25, +20, +15, +10 Note: P> +33 dBm is calibrated from 800 MHz to 2000 MHz only;
Tolerance	See data sheet: Base Unit RF Analyzer	See data sheet: Base Unit RF Analyzer

RX Power meter (wideband) level error at RF2 (measurement on frequency cal. points)

Frequency in MHz	50, 100, 200, 300, 400, 500, 600, 700, 800, 1000, 1100, 1200, 1300, 1400, 1500, 1600, 1700, , 2000, 2100, 2200, 2300, 2400, 2500, 2600, 2700	450, 470, 490, 820, 840, 860, 880, 900, 920, 940, 960, 1720, 1740, 1760, 1780, 1800, 1820, 1840, 1860, 1880, 1900, 1920, 1940, 1960, 1980
Level in dBm	+33, +26, +19, +16, +11, +6, +1, -4	+33, +26, +19, +16, +11, +6, +1, -4
Tolerance	See data sheet: Base Unit RF Analyzer	See data sheet: Base Unit RF Analyzer

RX Power meter (wideband) level error at RF4 IN (measurement on frequency cal. points)

Frequency in MHz	50, 100, 200, 300, 400, 500, 600, 700, 800, 1000, 1100, 1200, 1300, 1400, 1500, 1600, 1700, , 2000, 2100, 2200, 2300, 2400, 2500, 2600, 2700	450, 470, 490, 820, 840, 860, 880, 900, 920, 940, 960, 1720, 1740, 1760, 1780, 1800, 1820, 1840, 1860, 1880, 1900, 1920, 1940, 1960, 1980
Level in dBm	0, -6, -9, -14, -19, -24, -29	0, -6, -9, -14, -19, -24, -29
Tolerance	See data sheet: Base Unit RF Analyzer	See data sheet: Base Unit RF Analyzer

Options for CMU200: CMU-K20, K21, K22, K23, K24, TX Generator GSM Modulation

Output RF3 OUT, level 10 dBm, GSM Non Signaling

Training Sequence GSM0, Bit Modulation PRBS, Transmission Burst

K20	TX GSM phase error at 460 MHz, peak	GSM Modulation	-4	+4	°	X
K20	TX GSM phase error at 460 MHz, rms		-1	+1	°	X
K20	TX GSM frequency error at 460 MHz		-15	+15	Hz	X
K20	TX GSM phase error at 496 MHz, peak		-4	+4	°	X
K20	TX GSM phase error at 496 MHz, rms		-1	+1	°	X
K20	TX GSM frequency error at 496 MHz		-15	+15	Hz	X
K21	TX GSM phase error at 921 MHz, peak		-4	+4	°	X
K21	TX GSM phase error at 921 MHz, rms		-1	+1	°	X
K21	TX GSM frequency error at 921 MHz		-15	+15	Hz	X
K21	TX GSM phase error at 960 MHz, peak		-4	+4	°	X
K21	TX GSM phase error at 960 MHz, rms		-1	+1	°	X
K21	TX GSM frequency error at 960 MHz		-15	+15	Hz	X
K22	TX GSM phase error at 1805 MHz, peak		-4	+4	°	X
K22	TX GSM phase error at 1805 MHz, rms		-1	14	°	X
K22	TX GSM frequency error at 1805 MHz		-15	+15	Hz	X
K22	TX GSM phase error at 1880 MHz, peak		-4	+4	°	X
K22	TX GSM phase error at 1880 MHz, rms		-1	+1	°	X
K22	TX GSM frequency error at 1880 MHz		-15	+15	Hz	X
K23	TX GSM phase error at 1930 MHz, peak		-4	+4	°	X
K23	TX GSM phase error at 1930 MHz, rms		-1	+1	°	X
K23	TX GSM frequency error at 1930 MHz		-15	+15	Hz	X
K23	TX GSM phase error at 1990 MHz, peak		-4	+4	°	X
K23	TX GSM phase error at 1990 MHz, rms		-1	+1	°	X
K23	TX GSM frequency error at 1990 MHz		-15	+15	Hz	X

K24	TX GSM phase error at 869 MHz, peak		-4		+4		°		X
K24	TX GSM phase error at 869 MHz, rms		-1		+1		°		X
K24	TX GSM frequency error at 869 MHz		-15		+15		Hz		X
K24	TX GSM phase error at 894 MHz, peak		-4		+4		°		X
K24	TX GSM phase error at 894 MHz, rms		-1		+1		°		X
K24	TX GSM frequency error at 894 MHz		-15		+15		Hz		X

Options for CMU200: CMU-K20, K21, K22, K23, K24, RX Analyzer GSM Demodulation

Input RF2, GSM Non Signaling

Training Sequence GSM0, Trigger Source IF Power, Trigger Level Medium

K20	GSM phase error RX at 450 MHz, peak, level +5 dBm	RX Demodulation	-2		+2		°		X
K20	RX GSM phase error at 450 MHz, rms, level +5 dBm		-0.6		+0.6		°		X
K20	RX GSM frequency error at 450 MHz, level +5 dBm		-10		+10		Hz		X
K20	RX GSM phase error at 486 MHz, peak, level -14 dBm		-2		+2		°		X
K20	RX GSM phase error at 486 MHz, rms, level -14 dBm		-0.6		+0.6		°		X
K20	RX GSM frequency error at 486 MHz, level -14 dBm		-10		+10		Hz		X
K21	RX GSM phase error at 876 MHz, peak, level +5 dBm	RX Demodulation	-2		+2		°		X
K21	RX GSM phase error at 876 MHz, rms, level +5 dBm		-0.6		+0.6		°		X
K21	RX GSM frequency error at 876 MHz, level +5 dBm		-10		+10		Hz		X
K21	RX GSM phase error at 915 MHz, peak, level -14 dBm		-2		+2		°		X
K21	RX GSM phase error at 915 MHz, rms, level -14 dBm		-0.6		+0.6		°		X
K21	RX GSM frequency error at 915 MHz, level -14 dBm		-10		+10		Hz		X
K22	RX GSM phase error at 1710 MHz, peak, level +5 dBm	RX Demodulation	-2		+2		°		X
K22	RX GSM phase error at 1710 MHz, rms, level +5 dBm		-0.6		+0.6		°		X
K22	RX GSM frequency error at 1710 MHz, level +5 dBm		-10		+10		Hz		X
K22	RX GSM phase error at 1785 MHz, peak, level -14 dBm		-2		+2		°		X
K22	RX GSM phase error at 1785 MHz, rms, level -14 dBm		-0.6		+0.6		°		X

K22	RX GSM frequency error at 1785 MHz, level -14 dBm		-10		+10		Hz		X
K23	RX GSM phase error at 1850 MHz, peak, level +5 dBm	RX Demodulation	-2		+2		°		X
K23	RX GSM phase error at 1850 MHz, rms, level +5 dBm		-0.6		+0.6		°		X
K23	RX GSM frequency error at 1850 MHz, level +5 dBm		-10		+10		Hz		X
K23	RX GSM phase error at 1910 MHz, peak, level -14 dBm		-2		+2		°		X
K23	RX GSM phase error at 1910 MHz, rms, level -14 dBm		-0.6		+0.6		°		X
K23	RX GSM frequency error at 1910 MHz, level -14 dBm		-10		+10		Hz		X
K24	RX GSM phase error at 824 MHz, peak, level +5 dBm	RX Demodulation	-2		+2		°		X
K24	RX GSM phase error at 824 MHz, rms, level +5 dBm		-0.6		+0.6		°		X
K24	RX GSM frequency error at 824 MHz, level +5 dBm		-10		+10		Hz		X
K24	RX GSM phase error at 849 MHz, peak, level -14 dBm		-2		+2				X
K24	RX GSM phase error at 849 MHz, rms, level -14 dBm		-0.6		+0.6				X
K24	RX GSM frequency error at 849 MHz, level -14 dBm		-10		+10		Hz		X

2 Adjustment

The following chapter describes the manual adjustment of the reference sources as well as the software-controlled adjustment of individual module data following module replacement (automatic adjustment of module data).

The manual adjustment of the +5 VDC reference source which provides the highly stable DC reference voltage for the individual CMU modules as well as that of the 10 MHz reference frequency source which determines the frequency accuracy of the CMU are described. The adjustment permits to maintain and restore the data integrity of the instrument.

Manual adjustments must be performed at an ambient temperature between +23°C and +30°C after the instrument has warmed up.

After the software-controlled adjustment has been performed, the CMU is ready for use and offers full data integrity except for the level accuracy. In order to attain the level accuracy specified in the data sheet, it is necessary to record the path error data. To this end, the CMU must be tested using the test system ACS 100 (see chapter 1, *Performance Test*).

Manual Adjustment

In the following, the measuring instruments and auxiliary means required for the manual adjustment of the CMU, the appropriate preparations of the instrument as well as the individual adjustments will be explained.

Measuring Instruments and Auxiliary Equipment

Table 2-1 Measuring instruments and auxiliary equipment for manual adjustment of the CMU

Item	Type of instrument	Required characteristics	Appropriate device	R & S order number	Use page
1	Voltmeter	DC measurement	URE3	350.5315.03	
2	Spectrum analyzer with frequency counter	Frequency measurement up to 1 GHz	FSE	1066.3010.20 (30)	

Preparing the Instrument

Opening the casing:

- Remove the power plug on the CMU and place the CMU onto the front handles.
- Loosen the four Phillips screws at the four rear-panel feet and take off the feet.
- Pull off the instrument tube towards the top.
- Locate the adjustment devices (see chapter 5, drawing 1100.0008.01 D page 3).
- After performing the manual adjustment, close the casing again in the reverse order.

Note:

If only the Option OCXO REFERENCE OSC. CMU-B11/B12 is to be adjusted, it is not necessary to open the complete tube of the CMU. The adjustment can be made from outside through the ventilation holes using a small screwdriver (see chapter 5, drawing 1100.0008.01 D page 3).

Adjusting the + 5 VDC Reference Voltage

Preparation:

- Connect the DC voltmeter test cable to the SMB plug X221 (see chapter 5, drawing 1100.1027.01 page 1) on the motherboard.
- Switch on the CMU and allow it to warm up for approx. 5 minutes.

Adjustment:

- Use potentiometer R120 on the REFERENCE BOARD to adjust the measured value at the DC voltmeter to $+ 5.000 \text{ V} \pm 1 \text{ mV}$.

Adjusting the 10 MHz Reference Frequency

Preparation: The measurement can be performed either at connector REFOUT1 (rear of CMU) at 10 MHz or at connector RF3OUT (front) at 1 GHz using a frequency counter.

- For the measurement at connector RF3OUT set the generator to 1 GHz and 13 dBm without modulation in the RF menu.

For the adjustment, the CMU must be set to internal reference source.

- This setting is to be selected in the sync menu of the respective application.

Note: *The measurement at 1 GHz can be performed with a lower frequency counter resolution (1 Hz) in order to achieve a faster adjustment.*

TCXO

Adjustment: ➤ Use potentiometer R121 on the REFERENCE BOARD to adjust the measured value at the frequency counter to
10.000 000 0 MHz \pm 0.5 Hz (at REFOUT1) or
1.000 000 000 GHz \pm 50 Hz (at RF3OUT).

Note: *This adjustment is only required if none of the options CMU-B11 or B12 is installed.*

OCXO REFERENCE OSC. CMU-B11

(if option is installed)

Adjustment: ➤ Use potentiometer R5 on the OCXO REFERENCE OSC. BOARD to adjust the measured value at the frequency counter to
10.000 000 00 MHz $-0.1/ +0.05$ Hz (at REFOUT1) or
1.000 000 000 GHz -10 Hz/ $+5$ Hz (at RF3OUT)
(a lead of at least -2 to -5 Hz at 1 GHz is desired because of aging).

Note: *The CMU must have been switched on for at least 5 minutes so that the OCXO has warmed up.*

OCXO REFERENCE OSC. CMU-B12

(if the option is installed)

Adjustment: ➤ Use potentiometer R5 on the OCXO REFERENCE OSC. BOARD to adjust the measured value at the frequency counter to
10.000 000 00 MHz $-0.1/ +0.05$ Hz or (at REFOUT1) or
1.000 000 000 GHz -10 Hz/ $+5$ Hz (at RF3OUT)
(a lead of at least -2 to -5 Hz at 1 GHz is desired because of aging).

Notes: *The CMU must have been switched on for at least 10 minutes so that the OCXO has warmed up.
During the adjustment, operate the CMU in the horizontal position!*

Automatic Adjustment of Module Data

In order to match the data stored in EEPROMs on the respective modules to the complete instrument, an automatic adjustment of module data is always necessary after replacing a module.

In addition to some standard information such as module name, serial number, hardware status and date of manufacture, these stored data items contain important pieces of information within value tables from module pre-testing, e.g. frequency responses for module error data.

This information permits to make the complete instrument ready for operation again (see also chapter 1, *Performance Test*).

In the following, the preparations and the procedure of the automatic module data adjustment will be explained.

Preparing the adjustment

- Replacement of module(s):
- Replace the faulty module(s) (see chapter 3, *module replacement*).
 - Close the CMU casing (see chapter 3, *module replacement*).
 - Connect the CMU to the mains and switch on.

Performing the adjustment

- Starting the version manager:
- Note the startup in the display when switching on the CMU for the first time.
 - When a beep can be heard three times, press the *MENU SELECT* key.

The version manager is started (see also chapter 4, *Firmware Update*). The display includes the menu item *FIRMWARE UPDATE AFTER BOARD CHANGE*.

- Procedure:
- Press the softkey to the left of the above mentioned menu item.

The automatic adjustment of module data is started under software control.

It may take a few minutes to additionally perform firmware updates for microprocessors and programmable devices.

After the adjustment has been terminated, press the softkey to the left of the *EXIT* menu item, the operating software starts and the CMU is ready for use and can be operated in the usual way.

3 Repair

This chapter describes the design of the CMU, simple measures for repair and troubleshooting and, in particular, the replacement of modules. For troubleshooting and diagnosis, a maintenance menu is available, which permits to poll diagnostic voltages of the modules and indicate limit violations.

The installation of options and software update are explained in chapter 4 of this service manual.

Instrument Design and Function Description

Instrument design

A detailed overview of the CMU design will be presented with the block diagram below and the exploded views (see chapter 5).

The following function description of the instrument refers to the block diagram.

Cabinet design

The casing of the CMU is a robust, gray-blue Rohde & Schwarz standard casing according to BW 2000.

It consists of a frame with integrated rear panel and a labeling panel at the front of the frame. The frame is covered by a one-piece tube and screwed with four rear-panel feet. Two front handles are screwed to the frame as standard, a further handle on the left side can be provided as accessory.

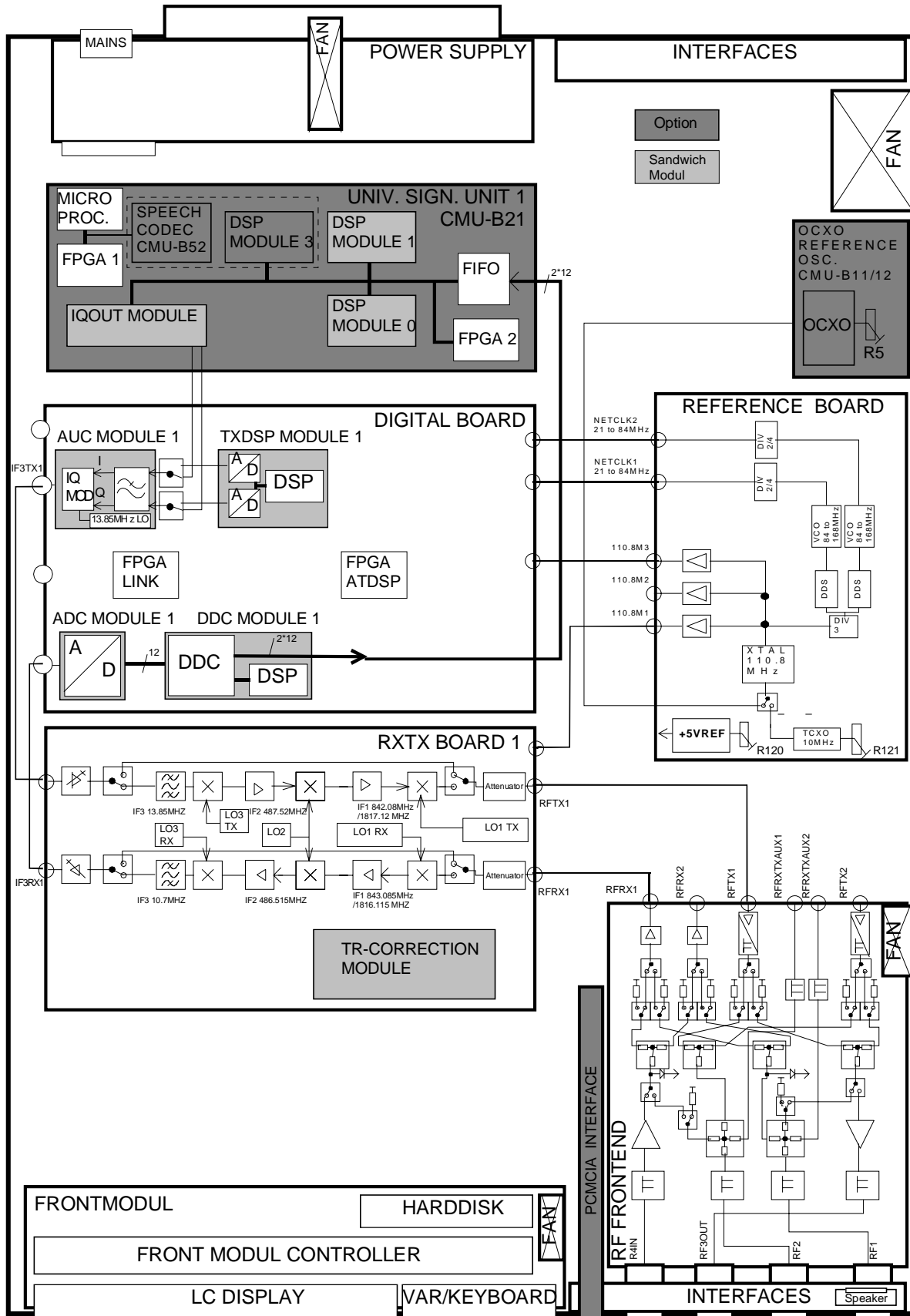
The dimensions are as follows:

Overall: W*H*L 465 mm * 193 mm * 517 mm

Rackmount: W*H 1/1 of 19 inch * 4 units

Note: *The terms "left" and "right" in the manual always refer to the front view of the instrument.*

Block diagram



Instrument Frame

The instrument frame consists of front frame, module support, partition, cage and air duct. The module support is screwed to the front frame. It incorporates the partition, the cage and the air duct and provides all mechanical connectors and slots for modules. The MOTHERBOARD for electrical connection of the modules as well as the big fan for cooling the modules are screwed to the instrument frame.

Rear of Instrument Frame

At the rear of the CMU instrument frame, the power supply with integrated power plug and switch as well as other important electrical interfaces are fitted (see chapter 1, *operating manual*).

The power supply unit can be easily replaced.

A further rear panel that is screwed to the frame serves as support for further electrical interfaces and optional extensions.

Front of Instrument Frame

The front of the instrument frame incorporates the FRONT MODULE, the most important electrical interfaces as well as the optional FLOPPY DISK or PCMCIA INTERFACE drive.

FRONT MODULE

The components of the FRONT MODULE that are directly arranged at the front of the CMU are the LCD and the operating keys with the spinwheel.

The operating keys consist of a membrane and a mat inserted into the keyboard frame of the FRONT MODULE. The operating keys are colored differently to highlight their function and partly labeled.

This module can be conveniently replaced as a unit.

The beeper with sound outlet on the FRONT MODULE is used for acoustic prompts and error warnings.

Electrical interfaces

The electrical interfaces are mounted on an extra mounting plate. The RF interfaces are components of the RF FRONTEND.

Loudspeaker

A loudspeaker with sound outlets at the labeling panel allows for acoustic hints for AF signals. It is controlled via the option CMU-B41 AUDIO-GEN. + ANA.

Cooling the Instrument

- Axial fan in the casing** The right side panel contains a temperature-controlled axial fan (120 mm x 120 mm x 38 mm), which sucks in cold ambient air at the right tube of the casing and blows it through the modules via a ventilation duct and further ventilation slots. The amount of air is controlled via the width of the slots depending on the power dissipation of the module. The modules are cooled by the air flow, and the heated air is then blown out at the left side panel.
- Axial fan of power supply** In addition, the power supply of the CMU is equipped with its own temperature-controlled axial fan (80 mm x 80 mm x 25 mm) with a separate air circulation. The fan sucks in cold air on the left rear side of the power supply casing and blows out the heat produced in the power supply on the right rear side of the power supply casing.
- Axial fan of FRONT MODULE** For cooling the controller board, the FRONT MODULE is provided with its own axial fan (40 mm x 40 mm x 10 mm), which sucks in cold ambient air on the left side of the instrument and blows it out at the right side panel.
- Axial fan of RF FRONTEND** The RF FRONTEND which can process powers up to 50 W is equipped with an aluminum casing with its own air duct, cooling fins and a temperature-controlled axial fan (40 mm x 40 mm x 20 mm), which dissipates the heat by sucking in cold air directly on the right rear side of the instrument and blowing in out again on the right front side of the instrument.

The cooling concept makes sure that all components are optimally cooled so that the complete instrument achieves a high MTBF.

FRONT MODULE

The FRONT MODULE consists of an aluminum case panel and a mounting plate which accommodates the LCD, the keyboard mat with the membrane and the spinwheel.

The case panel incorporates the FRONT MODULE CONTROLLER, the fan and the hard disk.

LCD

The color LCD provides a visible output of any information, measurements etc. to the user.

The resolution of the LCD is 640 * 480 pixels (VGA).

The display incorporates two cold cathode tubes for the illumination. The high voltage required for this purpose is generated in an extra DC/AC converter mounted next to the display on the mounting plate and connected both to the display and the controller board via a cable.

The liquid crystal display is controlled via a ribbon cable that is plugged in on the controller board.

Operating keys

The operating keys consisting of a keyboard mat and a membrane release a contact when the rubber key is pressed. Two LEDs for the STANDBY/ON key (orange for STANDBY/green for ON) are also accommodated on this membrane.

The rubber keys enable the user to call up all CMU functions.

The key evaluation and LED control are effected via a film cable connector on the controller board. Like the control of the two LEDs, it is controlled in a special microprocessor on the controller board by means of a matrix technique. This microprocessor permits to store the status of the STANDBY/ON key when switching off using the power switch.

Spinwheel

The spinwheel consists of a flexible magnetic ring with individual magnets for the lock-in positions. With each turn of the spinwheel, electrical pulses are released from the LEDs and the optical position detectors and sent via a ribbon cable to the microprocessor on the FRONT MODULE CONTROLLER for evaluation.

The spinwheel serves the user as a further means of data entry and operation.

FRONT MODULE CONTROLLER

The FRONT MODULE CONTROLLER contains all the necessary components on a board such as processor, memory chips, I/O devices (ISA bus), lithium battery, IEC-bus controller (IEEE), two serial interfaces (COM1/2), a parallel interface (LPT), LCD graphics controller, external VGA monitor graphics interface (monitor) and an external keyboard connection (keyboard PS/2).

In addition, a floppy controller for an external floppy disk drive and an IDE hard disk controller are integrated on the controller board.

Hard disk

The hard disk is screwed to the printed circuit board above the FRONT MODULE CONTROLLER (MODEL 04) or is screwed to the rear of the aluminum case panel (MODEL 12) and connected to the printed circuit board via a ribbon cable.

Fan

A small axial fan in the case panel produces an air flow through the FRONT MODULE CONTROLLER, cooling it with cold ambient air.

Connection

The FRONT MODULE is directly plugged to the MOTHERBOARD via two 96-pin FUTURE BUS connectors (MODEL 04) and one additional 110-pin PCI Bus connector (MODEL 12).

POWER SUPPLY

The POWER SUPPLY of the CMU consists of a two-part aluminum casing with three boards arranged in a so-called sandwich technique (U-shape). In addition to cooling, the axial fan already mentioned above (see cooling of instrument) is also used to support the three boards.

STANDBY/ON signal	The control signal STANDBY/ON controlled by the FRONT MODULE CONTROLLER (depending on the operating key STANDBY/ON on the front of the instrument frame) activates the power supply.
Power Factor Correction (PFC) and Standby circuit	<p>The POWER SUPPLY is a primary clocked switching power supply with Power Factor Correction (PFC) and Standby circuit (+12 V Standby).</p> <p>On the secondary side, it generates all DC voltages (+3.3 V; +5.2 V; +6 V; +8 V; +12 V; +12 VFAN; +12 V Standby; +28 V; -12 V) for the CMU.</p> <p>The secondary voltages are open-circuit-proof and short-circuit-proof with respect to ground and each other.</p>
POWERGOOD - Signal	When switching on and off (defined reset), the POWER SUPPLY generates a POWERGOOD signal for control of the FRONT MODULE CONTROLLER.
Overtemperature protection	An overtemperature protective circuit is additionally installed to prevent overheating. This status is taken to the FRONT MODULE CONTROLLER via a status signal (OT).
AC voltage supply	<p>A 3-pin connector with integrated 2-pin mains switch for connection with the AC-Supply is installed on the rear panel of the POWER SUPPLY. From there, the AC supply voltage is internally taken to the first board via two cables.</p> <p>Two fuses are also fitted there as a means of fire protection.</p> <p>Note: <i>These fuses are not accessible to the user from outside and are only blown in the case of a serious fault of the power supply (servicing required!).</i></p>
Primary side	<p>The following circuit parts follow on the first board: EMI filter and power rectifier. The rectified AC supply voltage is taken via a cable to the second board of the Power Factor Correction (PFC). This circuit converts the rectified AC supply voltage up to a constant voltage of 380 VDC. Then this voltage is taken to a step down converter which provides a constant voltage of 280 VDC for the subsequent resonance step down converter, which chops it with approx. 35 kHz.</p> <p>An additional connecting cable is used to feed the big transformer located on the first board. It is provided with taps for the various secondary voltages, and the following rectifiers constitute the transition to the DC secondary side.</p>
Secondary side	<p>The +12 V-, -12 V- and +6 V- secondary voltages are provided with analog regulators in order to ensure a high spurious suppression.</p> <p>The +3.3 V- and +5.2 V- secondary voltages have their own stepdown converters to achieve small power dissipations.</p> <p>The +28 V- voltage requires a stepup converter in order to generate the high voltage with a high accuracy.</p> <p>At the +12 VFAN, a constant current source is used for efficient suppression of fan interference.</p> <p>The secondary voltages are then filtered and subsequently taken to the output connector.</p>

Standby converter and control unit

The third printed circuit board which serves as a connection between the first and second board accommodates the control and monitoring circuit parts. Besides, it includes the standby converter, which generates a +12-V standby voltage from the 380 VDC voltage of the PFC circuit.

Connection

The POWER SUPPLY is directly connected to the MOTHERBOARD via a 96-pin FUTURE-bus connector on the MOTHERBOARD and screwed to the integrated rear panel of the CMU with its casing.

MOTHERBOARD

The MOTHERBOARD consists of five individual printed circuit boards: MOTHERBOARD1, MOTHERBOARD2, FRONTPANEL BOARD, REARPANEL BOARD1 and REARPANEL BOARD2.

MOTHERBOARD1

The MOTHERBOARD1 is the central motherboard and serves as connection between most of the modules. It supplies the modules both with voltages and control, status and bus signals in various layers (12-layer multilayer).

The MOTHERBOARD1 accommodates various ISA bus driver devices for the PCMCIA INTERFACE control as well as protective circuits. These protective circuits consist of diodes and polyswitches (current-dependent, self-opening and closing fuses) and protect against external overvoltages of the interface signals.

Nine LEDs indicate the status of the supply voltages and help with troubleshooting.

On MOTHERBOARD1, a circuit for temperature-dependent instrument fan control is also implemented:

The individual module temperatures are polled by the FRONT MODULE CONTROLLER of the CMU. This information is passed on via the DIGITAL BOARD to the fan control with the aid of a control signal. The instrument fan is controlled such that an optimum module temperature is achieved on the one hand and as little noise as possible is emitted by the fan on the other hand.

MOTHERBOARD2

The MOTHERBOARD2 serves for supply and connection of the modules located higher at the side, the REFERENCE BOARD and a further option.

For connection with MOTHERBOARD1 two 50-pin ribbon cables are used.

FRONTPANEL BOARD

The FRONTPANEL BOARD is located at the front of the instrument frame and accommodates the external interfaces DATA1, DATA2, AUX3 and SPEECH. Besides, the six LEDs for the display of the active RF inputs/outputs are located there.

For connection with MOTHERBOARD1 a 50-pin ribbon cable is used.

REARPANEL BOARD1

The REARPANEL BOARD1 is screwed to the integrated rear panel of the CMU below the POWER SUPPLY and accommodates the external interfaces IEEE, LPT, COM1, COM2, monitor and keyboard.

For connection with MOTHERBOARD1 two 34-pin ribbon cables are used.

REARPANEL BOARD2

The REARPANEL BOARD2 is mounted to the right of the integrated and unscrewable rear panel plate and accommodates the interfaces SERVICE, AUX, AUX4 as well as further spare interfaces. For connection with MOTHERBOARD1 two 34-pin ribbon cables are used.

REFERENCE BOARD

The REFERENCE BOARD provides all required clock signals (NETCLK1/2) and reference frequencies (110.8 MHz) as well as the +5 VDC reference voltage for the CMU. The REFERENCE BOARD is a plug-in module in HVC design.

Design

At the top of the module, nine MMCX connectors are attached, which serve as inputs or outputs for various clock signals and are routed to the respective modules or the integrated rear panel with appropriate coax cables.

Two holes in the HVC panel at the top are used for adjusting the +5 VDC reference voltage and the 10 MHz TCXO reference frequency.

Connection

The plug-in module REFERENCE BOARD is inserted in the CMU on the right side on MOTHERBOARD2 using a 48-pin FUTURE-bus connector.

REFERENCE frequency generation

All frequencies provided by the CMU are derived from internal high-precision 10-MHz reference elements (TCXO or optional OCXO) or from externally applied frequencies.

A 110.8-MHz crystal oscillator is coupled in locked phase relation in a PLL loop with the selected reference.

The reference element TCXO is used as standard on the reference board. If the option OCXO (CMU-B11 or -B12) is installed in the CMU, it is automatically used as reference element and the standard TCXO is switched off.

It is additionally possible to switch over to external synchronization (see operating manual, 4.34 *Connection Control-Synch.*) and use the signal fed in at the BNC connector REFIN at the rear of the CMU as reference signal.

At the BNC connector REFOUT1 at the rear of the CMU, either the internal 10-MHz reference frequency or the signal applied at REFIN can be buffered and tapped depending on the selected reference element.

The 110.8-MHz sinewave signal of the crystal oscillator passes a harmonics filter, is buffered and provided at three MMXC connectors, serving as reference frequency for the RXTX BOARD1/2 and the DIGITAL BOARD.

At a further MMCX connector, the TTL signal RESFREQ is available with 27.7 MHz ($110.8 \text{ MHz} / 4$) for the option CMU-B41 AUDIO-GEN. + ANA. as clock signal.

Netclock generation

The REFERENCE BOARD is also used for netclock generation, providing adjustable TTL clock frequencies from 21 MHz to 84 MHz with a very fine frequency resolution of 0.1 Hz. This function is provided twice so that two independent netclock frequencies are available at the same time.

The signal generated by the 110.8-MHz crystal oscillator is divided by three and applied to a DDS circuit (Direct Digital Synthesis). The DDS circuit is used as a fine-adjustable frequency divider and generates a divided signal from 9 MHz to 12 MHz.

This signal is then used in a further PLL as nominal value for the phase detector in order to tune a VCO (Voltage Controlled Oscillator) with a

tuning range of 84 MHz to 168 MHz in locked phase relation. A fractional divider used in the feedback of the PLL provides the actual value for the phase detector.

The output signal of the VCO is divided by two or four, buffered and provided at the MMCX connector NETCLK 1 or NETCLK 2 and serves as network-specific TTL clock for the DIGITAL BOARD.

Option OCXO REFERENCE OSC. CMU-B11 or B12

This option consists of a printed circuit board with the reference element OCXO (oven-controlled crystal oscillator), the control circuit and a potentiometer for adjusting the OCXO.

Installation The option OCXO REFERENCE OSC. is installed on the right side below the instrument fan such that the potentiometer is easily accessible from outside without the need for opening the CMU tube.

Connection The option OCXO is directly inserted via a 10-pin connector on the MOTHERBOARD and screwed to the module support by means of three screws.

The options CMU-B11 and B12 are basically of the same design. The two options only differ from each other in the technical data of the OCXO such as aging and frequency drift.

RF FRONTEND

Design The printed circuit board of the RF FRONTEND is installed in a silver-coated aluminum casing which is screwed to the instrument frame. The RF FRONTEND is fitted at the right front of the CMU such that the four RF N-type connectors which are directly connected to the FRONTEND board are accessible on the front of the instrument frame of the CMU. This is absolutely necessary to ensure a good VSWR (Voltage Standing Wave Ratio).

Cooling system The aluminum casing in which the RF FRONTEND is installed is equipped with cooling fins in a special cooling duct and an extra temperature-controlled fan for heat dissipation if high RX power is fed in.

Control and supply Control and supply of the RF FRONTEND are effected from MOTHERBOARD1 via a 34-pin ribbon cable.

RF connectors For the internal RF connection to the RXTX BOARD1 (RFRX1, RFTX1) two SMA screw connections and coaxial solid-jacket cables are used. Thus a high-quality RF connection is ensured. Besides, two further internal RF connections (RFRX2, RFTX2) to the optional RXTX BOARD2 are available.

Two bidirectional monitor inputs/outputs (RFRXTXAUX1/2) at the RF FRONTEND permit to connect further RF devices via optional cables leading to the integrated rear panel of the CMU.

As external RF interface, the RF FRONTEND is equipped with the four N-type connectors RF1, RF2, RF3OUT, RF4IN, which permit to

perform all the RF measurements of the CMU.
RF1 and RF2 are bidirectional inputs/outputs depending on the setting and measurement application.
RF3OUT is a unidirectional output.
RF4IN is a unidirectional input.

Optical indication For optical indication of the selected N-connectors and input and/or output functions, yellow LEDs located above the N-connectors are switched on.

Functions On the transmitter side (TX), the RF FRONTEND serves the purpose of distributing internal RF signals to the outside to the various N-connectors (RF1, RF2, RF3OUT) and attenuate or amplify them according to the selected output and level.
On the receiver side (RX), its purpose is to internally distribute external RF signals from the different N-connectors (RF1, RF2, RF3OUT) and attenuate or amplify them according to the selected input and the applied level.
Since high levels and powers up to 50 W can be fed in on the receiver side (RX), the RF FRONTEND is equipped with power attenuators and the cooling system with the fan described above, which is controlled by the temperature at the power attenuators.
The RF FRONTEND additionally features two broadband power measuring diodes, which permit to measure the power applied at the N-connectors RF1, RF2, RF4IN even in pulsed operation.

RXTX BOARD1

The RXTX BOARD1 constitutes the central RF board which contains all circuit parts for conversion from RF to IF both for the transmitter (TX) and receiver (RX).

Design The RXTX BOARD1 is designed as plug-in module with a silver-coated two-shell aluminum casing fixed with several screws.

Cooling system This casing is equipped with cooling fins at the front and rear which are provided with a cover sheet each so that two special cooling ducts are produced. These cooling ducts are evenly cooled by the air flow of the instrument fan irrespective of neighboring modules.
This efficient cooling is required since a very high degree of integration and a large portion of fast RF components are implemented on this board.

Control and supply Control and voltage supply of the RXTX BOARD1 are effected via a 96-pin FUTURE-bus connector from MOTHERBOARD1.

Complete function For conversion from RF to IF, the transmitter side (TX) is implemented on one side of the multilayer PC board and the receiver side (RX) on the other side on the RXTX BOARD1. This strict separation of the functions permits to achieve high decouplings as they can usually only be achieved with two separate modules.

Transmitter functions On the transmitter side (TX), an IF signal with 13.85 MHz is applied at the MMCX connector IF3TX1 (top of module) of the RXTX BOARD1, which is provided by the DIGITAL BOARD.
On the RXTX BOARD1, this signal is taken via various amplifier stages, attenuator pads and filters and finally set to the desired RF

frequency by means of triple signal conversion (IF3, IF2, IF1). This is necessary to obtain a high image-frequency rejection.

At the TX output, a switchable attenuator with fine stepping and large attenuation range is used to set the RF signal amplitude according to the level selected.

The RF signal is finally taken to the RF FRONTEND at the SMA connector RFTX1 (bottom of module).

The transmitter side is provided with an extra LO1TX (Local Oscillator) with large tuning range and very fine frequency resolution used for setting the desired transmitter frequency, an LO2 fixed-frequency oscillator shared with the receiver side and an extra LO3TX with small tuning range. All LOs are synchronized by the MMCX connector 110.8MHz at the bottom of the module with the reference frequency from the REFERENCE BOARD.

Besides, an MMCX connector at the top of the RXTX BOARD1 is designed as input with the second transmitter IF (RESIF2TX) which is activated via software switches.

Receiver functions

On the receiver side (RX), the RF signal is fed in at the SMA connector RFRX1 (bottom of module) of the RXTX BOARD1 which is provided by the RF FRONTEND.

On the RXTX BOARD1, this signal is taken via a switchable attenuator with fine stepping and large attenuation range in order to match the level according to the level applied.

Subsequently, this signal is converted to an IF frequency of 10.7 MHz by means of triple signal conversion (IF1, IF2, IF3) and several filter and amplifier stages and provided at the MMCX connector IF3RX1 (top of module) for the DIGITAL BOARD.

This procedure is necessary to achieve a high image-frequency rejection and a high dynamic range with a simultaneously high intermodulation suppression.

For the receiver side, an extra LO1RX (local oscillator) is provided with a large tuning range and a very fine frequency resolution used for setting the receive frequency, an LO2 fixed-frequency oscillator shared with the transmitter and an extra LO3RX with a very small tuning range.

All LOs are synchronized by the MMCX connector 110.8 MHz at the bottom of the module with the reference frequency from the REFERENCE BOARD.

A further MMCX connector RESIF3RX (top of module) provides a buffered RX IF signal of 10.7 MHz which is taken to the rear of the CMU via a coax cable. This signal output can be activated via a software switch.

Besides, an MMCX connector at the top of the RXTX BOARD1 is designed as output with the second receiver IF (RESIF2RX) which can be activated via software switches.

Correction processor

The RXTX BOARD1 contains an extra correction processor with large flash PROM.

It controls all the static and dynamic settings on the RXTX BOARD1 and, as a special feature, also the attenuator pads and amplifiers of the RX and TX attenuator on the RF FRONTEND.

Besides, the correction processor permits to read out the individual module error data from the EEPROMS of the respective modules in a so-called correction procedure (automatic module data adjustment) and calculate the deviations for all possible signal paths. These

deviations are stored as correction values in the flash PROM. The correction processor then sets the desired level settings, corrected by the correction values, in the flash PROM so that frequency, linearity and temperature responses of the modules are compensated for. This ensures the excellent level accuracy of the CMU which is essential for most measurements.

Extension The CMU 200 can be extended by a RXTX BOARD2 and thus provide a second complete transmit and receive channel.

DIGITAL BOARD

The DIGITAL BOARD constitutes the central control and measurement board which contains all circuit parts for conversion and further processing of the analog IF (receiver side) into digital I/Q values. On the transmitter side, analog as well as digital I/Q values are modulated upon the carrier and provided as analog IF.

Design The DIGITAL BOARD is designed as HVC 200 plug-in module. The HVC 200 cabinet is equipped with a screwed-on cover both at the front and rear to ensure optimum electrical shielding of the module.

Cooling system The casing is provided with ventilation holes on the right and left in order to produce a large cooling flow through the module by means of the instrument fan. This efficient cooling is necessary, since a great number of highly integrated fast digital devices is used on the module and up to eight sandwich modules can additionally be fitted so that the board is densely packed.

Control and supply The control, bus lines and voltage supply of the DIGITAL BOARD are effected via four 96-pin and one 48-pin FUTURE-bus connectors from MOTHERBOARD1.

Function As standard, the four sandwich boards ADC Module1, DDC Module1, TXDSP Module1 and AUC Module1 are fitted. On the DIGITAL BOARD, all necessary clocks are generated and provided from the netclocks 1 and 2 in a clock conditioning and distribution circuit. These clocks are required for sampling, filtering and down converting the digital IF internally and for the UNIVERSAL SIGNALLING UNIT MODULE. Besides, two programmable logic devices (FPGA) are used on the DIGITAL BOARD, which provide address decoding, interrupt control and host interfaces between ISA bus and internal circuit parts (DDC/TXDSP) as well as the control of the RF FRONTEND (via FEI²C-Bus), the REFERENCE BOARD and AUDIO BOARD (via buffered ISA bus) and the RXTX BOARD1 (via serial bus). Further serial interfaces lead from the programmable logic devices to the UNIVERSAL SIGNALLING UNIT1 and vice versa. An AD converter on the DIGITAL BOARD is used for polling the diagnostic voltages of the CMU modules, which can indicate module states and errors.

ADC MODULE1 The sandwich ADC MODULE1 is connected to the DIGITAL BOARD via a multipoint connector. In addition, it is screwed to a solid ground block to obtain a good ground connection. The ADC MODULE1 receives the analog IF (10.7 MHz) from the RXTX

BOARD1 directly via a MMCX connector (IF3RX1) and converts it into a 12-bit data stream by means of a fast AD converter.

DDC MODULE1

The sandwich DDC MODULE1 is directly plugged onto the DIGITAL BOARD via three multipoint connectors and processes the digital data stream of the receiver. In a special ASIC chip, the I/Q shaping, the matching of the data rate and the respective filtering (bandwidth shaping) of the digital data stream are produced. Then follows a DSP (RX DSP) with further evaluation of the digital I/Q data for measurement purposes. Besides, the digital I/Q data are passed on via the MOTHERBOARD1 to the LINKHANDLER MODULE for evaluation.

TXDSP MODULE1

The sandwich TXDSP MODULE1 is directly plugged onto the DIGITAL BOARD via two multipoint connectors. It contains the DSP on the transmitter side (TXDSP), which generates I/Q data according to the application and provides them to the AUC MODULE1 via two 12-bit D/A converters and several selection switches located on the DIGITAL BOARD.

AUC MODULE1

The sandwich AUC MODULE1 is directly plugged onto the DIGITAL BOARD via a multipoint connector and serves the purpose of filtering the analog I/Q data from the TXDSP MODULE1 or the LINKHANDLER MODULE depending on the position of the selection switches on the DIGITAL BOARD according to the application (bandwidth shaping) and converting it to the transmit IF (13.85 MHz) by means of an I/Q modulator. Subsequently, the transmit IF is routed via the MMCX connector (IF3TX1) on the DIGITAL BOARD to the RXTX BOARD1.

Extension

The DIGITAL BOARD can be extended by a further complete receive and transmit channel consisting of ADC MODULE2, DDC MODULE2, TXDSP MODULE2 and AUC MODULE2.

Option UNIVERSAL SIGNALLING UNIT CMU-B21

The UNIV. SIGN. UNIT MODULE is the control and measurement module which contains all circuit parts for signaling and measuring network-specific parameters.

To this end, the digital I/Q data from the DIGITAL BOARD are used on the receiver side (RX) in order to calculate test parameters.

On the transmitter side, analog network-specific I/Q data are generated and provided to the AUC MODULE1 on the DIGITAL BOARD.

Design

The UNIV. SIGN. UNIT MODULE is designed as plug-in module with two aluminum shell covers. It is equipped with a screwed-on aluminum cover both at the front and rear to allow for optimal electrical shielding of the module.

Cooling system

The casing is provided with ventilation holes on the right and left in order to produce a large cooling flow through the module by means of the instrument fan.

This efficient cooling is necessary, since a great number of highly integrated fast digital devices is used on the module and up to seven sandwich modules can additionally be fitted so that the module is densely packed.

Control and supply	<p>The control, bus lines and voltage supply of the UNIV. SIGN. UNIT MODULE are connected via two 96-pin VG multipoint connectors from MOTHERBOARD1. Further interfaces for testing and debugging are provided on the top of the module.</p>
Function	<p>As standard, the UNIV. SIGN. UNIT MODULE contains the three sandwich boards DSP MODULE0, DSP MODULE1 and IQOUT MODULE.</p> <p>Besides, if a very high computing power is required, two further DSP MODULES (DSP MODULE2, DSP MODULE3) and the SHARED MEMORY can be fitted.</p> <p>Furthermore, a slot for the Option CMU-B52 SPEECH CODEC is provided. This option includes DSP MODULE3.</p> <p>A microprocessor with peripheral equipment and two programmable logic devices (FPGA 'XILINX1' and 'XILINX2') on the UNIV. SIGN. UNIT control all the processes on the module.</p> <p>An RS232 interface is available for debugging, data input and output.</p> <p>Besides, an ISA bus interface is installed for control and data communication with the FRONT MODULE CONTROLLER.</p>
DSP MODULE	<p>The two sandwich DSP MODULES (DSP MODULE0 and DSP MODULE1) are directly inserted on the UNIV. SIGN. UNIT via four multipoint connectors. Via a FIFO device, they receive the digital I/Q data from the DIGITAL BOARD for evaluation. The signal can then be demodulated by the DSP MODULES and the demodulated data can be passed on the protocol engine running on the MC or a DSP MODULE. The DSP MODULES can also perform some measurements and the results are passed on via the ISA bus interface to the FRONT MODULE CONTROLLER.</p> <p>Likewise, the DSPs cause further actions on the transmitter side (TX), e.g. change transmit frequency-settings via the FPGA 'XILINX2' and output analog I/Q data via the IQOUT MODULE.</p>
IQOUT MODULE	<p>The sandwich IQOUT MODULE is directly inserted on the UNIV. SIGN. UNIT via three multipoint connectors and installed in an extra shielding chamber, since it performs the digital-to-analog conversion of the I/Q data.</p>
Option SPEECH CODEC CMU-B52	<p>The Option SPEECH CODEC CMU-B52 (including DSP MODULE3) is also designed as sandwich module and is directly plugged onto the UNIV. SIGN. UNIT via three multipoint connectors. This option permits to read in and output analog speech signals (handsetin/out lines) via A/D and D/A converters.</p>

Option AUDIO-GEN. + ANA. CMU-B41

The Option AUDIO-GEN. + ANA. constitutes the central AF-board which contains all circuit parts for generation of AF output and analysis of AF input signals. The Option AUDIO-GEN. + ANA. is a plug-in module in HVC design.

Design

At the top of the module, eight MMCX connectors are attached, which serve as inputs or outputs for AF and clock signals and are routed to the respective modules or the integrated front panel with appropriate coax cables. There is also a coax cable to the loudspeaker on the front panel.

Connection

The plug-in module AUDIO-GEN. + ANA. is inserted in the CMU on the right side on MOTHERBOARD2 using a 96-pin FUTURE-bus connector.

Function

The Option AUDIO-GEN. + ANA. contains one DSP MODULE, a clock generation circuit, an analog input section and an analog output section. Further there is a power amplifier for the loudspeaker on this board.

The DSP MODULE is a sandwich module, which controls the signal path, level and frequency of the AF output generator and also the signal path, attenuation and analysis of the AF input analyzer.

The DSP MODULE is connected via an ISA-Bus Interface to the FRONTMODULE CONTROLLER of the CMU.

The clock generation circuit gets from the REFERENCE BOARD a 27.7MHz signal over a coax cable and a MMCX connector. This signal feeds the DSP MODULE and is converted in a PLL circuit to 24.576 MHz.

Over a divider by 2 to. This clock signal divided by 2 (12.288MHz) is used for the A/D and D/A Converter IC and the serial links.

Analog Input Section

Over the BNC connectors AFIN and AUX1 at the front of the CMU and the coax cables the AF signal comes to the analog input section, which provides two independent input channels.

These two input channels could be used as one balanced or two unbalanced channels. Over an input attenuator and an various gain amplifier per channel the AF signal comes to the A/D Converter, which sends over a serial link connection the digital values to the DSP MODULE.

Analog Output Section

For the AF-Generator the DSP MODULE sends the digital values over a serial link connection to the D/A Converter of the analog output section.

The analog output section provides two independent output channels, which could be used as one balanced or two unbalanced channels.

Over a various gain amplifier and a switchable output attenuator the AF signal comes to the MMCX connectors, which are connected via coax cables to the BNC connectors AFOUT and AUX2 at the front of the CMU.

Option CDMA (IS95) Signalling Unit CMU-B81

The CDMA (IS95) Signalling Unit is a module of the CMU200 providing signalling and measuring support for the CDMA IS-95 cellular phone network.

With the use of analog and digital hardware and firmware, this module uses the down converter and a signal generator in the CMU200 to establish a link with a CDMA mobile station.

Design The CDMA (IS95) Signalling Unit is a plug-in module with a complete aluminum shell providing optimal electrical shielding of the module.

Cooling system Ventilation holes on the right and left of the shell produces a large cooling flow through the module by means of the instrument fan.

Control and supply The MOTHERBOARD 1 provides bus lines, the voltage supply, and controls the CDMA (IS95) Signalling Unit via two 96-pin connectors and one 48-pin connector. Further interfaces for testing and debugging are provided on the top of the module.

Function The CDMA (IS95) Signalling Unit contains the hardware for signal demodulation and signal generation of a CDMA system. See Figure 3-1 for a simplified block diagram.

A micro processor with peripheral equipment and three programmable logic devices (Xilinx 1, 2, and 3) on the board control all the processes on the module.

An RS232 interface is available for debugging and data input and output.

An AT-bus interface is used for control and data communication with the front module computer.

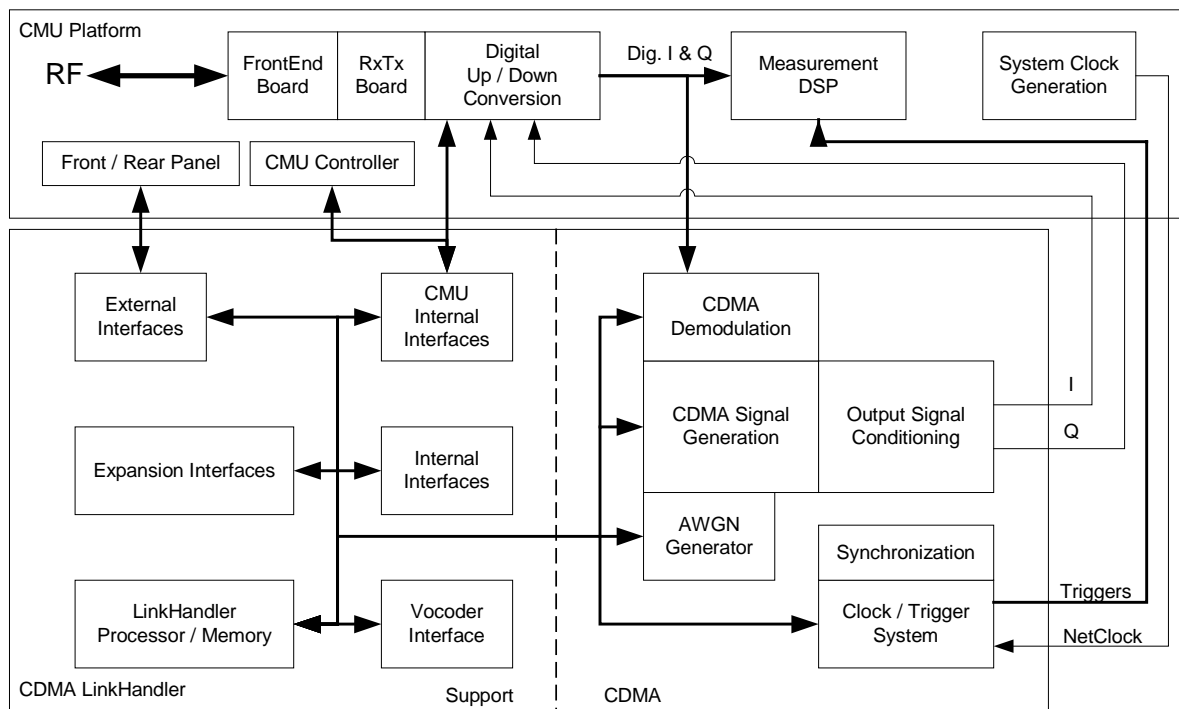


Figure 3-1: CDMA (IS95) Signalling Unit block diagram

MODULE Replacement



Caution!

Disconnect the instrument from the mains before opening the casing. Please note the safety instructions at the beginning of this manual.

When mounting the tube take care not to damage or pull off cables.

Replacing the FRONT MODULE

(see chapter 5, spare part list, Current No. 270/275, and explosion drawing 1100.0008.01 D sheet 2)

For replacement proceed as follows:

Opening the instrument and removing the FRONT MODULE

- Switch off the instrument, pull the mains plug and unscrew the rear-panel feet.
- Place the instrument onto the front carrying handles, push the tube upwards and take off.
- Unscrew the four screws of the front handles at the instrument frame on both sides and take off the front handles.
- Unscrew a countersunk screw (if present) at the front on the labeling panel next to the spinwheel and pull off the labeling panel towards the front.
- Unscrew two countersunk screws in the front frame at the top and at the bottom as well as two countersunk screws at the front above the AUX1/2 BNC connectors.
- Unscrew a combi screw at the top of the module support for support of the Option FLOPPY DISK DRIVE CMU-U61 or PCMCIA INTERFACE.
- After unscrewing the two countersunk screws at the top left instrument frame slightly lift the cover at the top of the instrument, slightly shift towards the right and lift off.
- Slightly push the FRONT MODULE from the rear to the front using little pressure.
 - Note:** *Note the connecting cables for the Option FLOPPY DISK DRIVE CMU-U61 or PCMCIA INTERFACE that are still connected to the MOTHERBOARD1.*
- After sliding out the FRONT MODULE disconnect the respective connecting cable for the option from the MOTHERBOARD1 as follows:
 - Option FLOPPY DISK DRIVE CMU-U61: The connecting cable is a film cable.
 - Lift the locking bracket of the connector on the MOTHERBOARD and remove the film cable.
 - PCMCIA INTERFACE: The connecting cable consists of three ribbon cables.
 - Disconnect the three ribbon cables from the MOTHERBOARD1 connector.
- Take the FRONT MODULE completely out of the CMU.
- Unscrew the two countersunk screws at the cover of the Option FLOPPY DISK DRIVE CMU-U61 or PCMCIA INTERFACE and carefully pull the option towards the front out of the FRONT MODULE.

Installing the new FRONT MODULE and completing the instrument

- Install the old Option FLOPPY DISK DRIVE CMU-U61 or PCMCIA INTERFACE in a new FRONT MODULE in the reverse order.
- Install the new FRONT MODULE in the CMU in the reverse order.
 - Caution:** *Make sure to route the cables of the Option FLOPPY DISK DRIVE CMU-U61 or PCMCIA INTERFACE properly, not to catch them and plug them into the MOTHERBOARD before completely sliding the FRONT MODULE into the CMU.*
- Complete the instrument without causing damage to the cables.

Putting into operation

- Connect the instrument to the mains and switch on: The built-in FRONT MODULE CONTROLLER registers on the LCD. The BIOS is factory-set to the CMU.
- If necessary, load new software to the FRONT MODULE (see chapter 4, *Firmware update*).
- During startup observe the display.
- When three BEEPs can be heard, press the *MENU SELECT* key.
 - The Version Manager is started (see also chapter 4, *Firmware update*).
 - The display includes the menu item *FIRMWARE UPDATE AFTER BOARD CHANGE*.
- Press the softkey to the left of the above mentioned menu item.
 - The automatic module data adjustment is performed under software control, firmware updates for microprocessors and programmable devices being also performed on the modules. This may take a few minutes.

After the adjustment has been terminated, the operating software starts automatically and the CMU is ready for use and can be operated as usual.

Replacing the FRONT MODULE CONTROLLER in the FRONT MODULE

(see chapter 5, spare part list, Current No. 450/455 and explosion drawing 1090.9244.01 D sheet 2/3)

The FRONT MODULE CONTROLLER is incorporated in the FRONT MODULE. For replacement proceed as follows:

Opening the instrument and removing the FRONT MODULE

- Switch off the instrument, pull the mains plug and unscrew the rear-panel feet.
- Place the instrument onto the front carrying handles, push the tube upwards and take off.
- Unscrew the four screws of the front handles at the instrument frame on both sides and take off the front handles.
- Unscrew a countersunk screw (if present) at the front on the labeling panel next to the spinwheel and pull off the labeling panel towards the front.
- Unscrew two countersunk screws in the front frame at the top and at the bottom as well as two countersunk screws at the front above the AUX1/2 BNC connectors.
- Unscrew a combi screw at the top of the module support for support of the Option FLOPPY DISK DRIVE CMU-U61 or PCMCIA INTERFACE.
- After unscrewing the two countersunk screws at the top left instrument frame slightly lift the cover at the top of the instrument, slightly shift towards the right and lift off.
- Slightly push the FRONT MODULE from the rear to the front using little pressure.
 - Note:** Note the connecting cables for the Option FLOPPY DISK DRIVE CMU-U61 or PCMCIA INTERFACE that are still connected to the MOTHERBOARD1.
- After sliding out the FRONT MODULE disconnect the respective connecting cable for the option from the MOTHERBOARD1 as follows:
 - Option FLOPPY DISK DRIVE CMU-U61: The connecting cable is a film cable.
 - Lift the locking bracket of the connector on the MOTHERBOARD1 and remove the film cable.
 - PCMCIA INTERFACE: The connecting cable consists of three ribbon cables.
 - Disconnect the three ribbon cables from the MOTHERBOARD1 connector.
- Take the FRONT MODULE completely out of the CMU.

Removing the FRONT MODULE CONTROLLER from the FRONT MODULE

- Unscrew the two countersunk screws on the cover of the Option FLOPPY DISK DRIVE CMU–U61 or PCMCIA INTERFACE and carefully pull out the option from the FRONT MODULE towards the front.
- Place the FRONT MODULE onto a clean surface with the aluminum panel pointing downwards.
- Unscrew the four screws on the mounting plate at the top, bottom and left and carefully swing away the mounting plate towards the rear.
- Pull off the connecting cables to the LCD, DC/AC illumination converter, keyboard membrane and spinwheel.
Note: *When pulling off the connecting cables be careful with the cable connecting to the keyboard. It is a film cable which can only be disconnected after sliding up the lock of the film cable plug. Besides, be careful with the ribbon cable connecting to the spinwheel. First loosen the locking brackets of the plug.*
- **MODEL 04:** Pull off the ribbon cable from the hard disk to the FRONT MODULE CONTROLLER and unscrew the four screws of the bracket through the rear of the aluminum panel and remove the hard disk.
- **MODEL 12:** Pull off the ribbon cable from the hard disk to the FRONT MODULE CONTROLLER.
- Disconnect the fan cable from the printed circuit board of the FRONT MODULE CONTROLLER.
- Unscrew the eleven combi screws of the FRONT MODULE CONTROLLER board and take out the FRONT MODULE CONTROLLER.

Installing the new FRONT MODULE CONTROLLER

- Carefully insert the new FRONT MODULE CONTROLLER, fasten using the eleven combi screws and reconnect the cable to the fan.
- **MODEL 04:** Carefully insert the hard disk, fasten using the four screws through the rear of the aluminum panel and reconnect the ribbon cable to the FRONT MODULE CONTROLLER.
- **MODEL 12:** Carefully reconnect the ribbon cable to the FRONT MODULE CONTROLLER.
- Replace the memory modules from the old into the new FRONT MODULE CONTROLLER (see replacing the memory modules).
- Carefully insert the cable connectors to the controller board, taking care not to reverse the polarities, and replace the mounting plate in the reverse order.

Installing the option again and completing the instruments

- Replace the old Option FLOPPY DISK DRIVE CMU–U61 or PCMCIA INTERFACE in the FRONT MODULE in the reverse order.
- To install the FRONT MODULE1 in the CMU again proceed in the reverse order.
Note: *Make sure to route the cables of the Option FLOPPY DISK DRIVE CMU–U61 or PCMCIA INTERFACE properly, not to catch them and insert them on the MOTHERBOARD1 before sliding the FRONT MODULE completely into the CMU.*
- Complete the instrument without causing damage to the cables.

Putting into operation

- Connect the instrument to the mains.
- Connect the external keyboard to the keyboard connector on the rear panel of the CMU.
- Switch on the CMU.
- During startup observe the display.
- When three BEEPs can be heard, press the softkey to the left upper side of the LCD: **C:** will appear.
- **MODEL 04:**
 - Insert a flash disk with the program FLASH FMR4 (this program is available on R & S Lotus Notes Service Board) in the PCMCIA slot 0 (right drive D:) or a floppy disk with the program FLASH FMR4 in the Option FLOPPY DISK DRIVE CMU-U61.
 - Start program FLASH FMR4 with D:\ FLASH FM4.BAT or A:\ FLASH FM4.BAT.
- **MODEL 12:**
 - Insert a flash disk with the program FLASH FMR5 (this program is available on R & S Lotus Notes Service Board) in the PCMCIA slot 0 (right drive D:) or a floppy disk with the program FLASH FMR5 in the Option FLOPPY DISK DRIVE CMU-U61.
 - Start program FLASH FMR5 with D:\ FLASHFM5.BAT or A:\ FLASHFM5.BAT.
- During the programming of the flash EEPROM the CMU must not be switched off.
- When the prompt C:\ appears then switch off and on the CMU.
- Press the key *DEL* (Delete) on the external keyboard in order to get into the Setup menu.
- Choose the item DEFAULT OPTIMAL (MODEL 04) / LOAD CMU-DEFAULTS (MODEL 12) and press *ENTER*; quit with *y* and *ENTER*.
- Only if Option FLOPPY DISK DRIVE CMU-U61 is fitted, then choose the item Setup Standard and set FLOPPY A to '1.44 MB 3 ½'. Exit with the *ESC* key.
- Exit Bios Setup with key *ESC* and quit with *y* (save changes and exit) and press *ENTER*.

The CMU starts the operating software automatically, it is ready for use and can be operated as usual.

Replacing the Lithium Battery in the FRONT MODULE

(see chapter 5, *spare part list*, *Current No. 460* and *explosion drawing 1090.9244.01 D sheet 2/3*)

The lithium battery is accommodated on the FRONT MODULE CONTROLLER board inside the FRONT MODULE. For replacement proceed as follows:

Note: *Data in the CMOS RAM will be lost when replacing the lithium battery.*

Opening the instrument and removing the FRONT MODULE

- Switch off the instrument, pull the mains plug and unscrew the rear-panel feet.
- Place the instrument onto the front carrying handles, push the tube upwards and take off.
- Unscrew the four screws of the front handles at the instrument frame on both sides and take off the front handles.
- Unscrew a countersunk screw (if present) at the front on the labeling panel next to the spinwheel and pull off the labeling panel towards the front.
- Unscrew two countersunk screws in the front frame at the top and at the bottom as well as two countersunk screws at the front above the AUX1/2 BNC connectors.
- Unscrew a combi screw at the top of the module support for support of the Option FLOPPY DISK DRIVE CMU-U61 or PCMCIA INTERFACE.
- After unscrewing the two countersunk screws at the top left instrument frame slightly lift the cover at the top of the instrument, slightly shift towards the right and lift off.
- Slightly push the FRONT MODULE from the rear to the front using little pressure.
 - Note:** *Note the connecting cables for the Option FLOPPY DISK DRIVE CMU-U61 or PCMCIA INTERFACE that are still connected to the MOTHERBOARD1.*
- After sliding out the FRONT MODULE disconnect the respective connecting cable for the option from the MOTHERBOARD1 as follows:
 - Option FLOPPY DISK DRIVE CMU-U61: The connecting cable is a film cable.
 - Lift the locking bracket of the connector on the MOTHERBOARD1 and remove the film cable.
 - PCMCIA INTERFACE: The connecting cable consists of three ribbon cables.
 - Disconnect the three ribbon cables from the MOTHERBOARD1 connector.
- Take the FRONT MODULE completely out of the CMU.

Removing the lithium battery

- Unscrew the two countersunk screws on the cover of the Option FLOPPY DISK DRIVE CMU-U61 or PCMCIA INTERFACE and carefully pull out the option from the FRONT MODULE towards the front.
- Place the FRONT MODULE onto a clean surface with the aluminum panel pointing downwards.
- Unscrew the four screws on the mounting plate at the top, bottom and right and carefully swing away the mounting plate towards the rear.
- Pull off the connecting cables to the LCD, DC/AC illumination converter, keyboard membrane and spinwheel.

Note: When pulling off the connecting cables be careful with the cable connecting to the keyboard. It is a film cable which can only be disconnected after sliding up the lock of the film cable plug. Besides, be careful with the ribbon cable connecting to the spinwheel. First loosen the locking brackets of the plug.

- Locate the lithium battery on the controller board (see chapter 5, explosion drawing 1090.9244.01 D sheet 2/3).
- Unplug jumper J7 (MODEL 04) and J12 (MODEL 12).
- Carefully unsolder the negative terminal from the soldering lug first using the soldering iron (medium temperature). Then unsolder the positive terminal. If necessary, remove the mechanical lock (cable clamp) and take out the battery.

Note: The lithium battery is of the type 3.4 V (\varnothing 15mm * 25mm) with soldering lug terminals (spare part list, Current No. 460).

Caution!

Lithium batteries must not be exposed to high temperatures or fire.

Keep away from children.

If the battery is replaced improperly, there is danger of explosion. Only replace the battery by R&S type (spare part list, Current No. 460).

Lithium batteries are hazardous waste and must be disposed of in dedicated containers.

Do not short-circuit the battery!



Installing the new battery and completing the instrument

- Shorten the length of the connecting wires of the new battery as with the old battery and replace with the correct polarity.

Note: Do not short-circuit the battery!

- If necessary, replace the mechanical lock (cable clamp). First solder the positive terminal to the PC board, then the negative terminal.
- **MODEL 04:** Plug jumper J7 first to the position middle and right (position RAM discharge) and then to middle and left position. Leave jumper J7 at this position (position before battery replacement).
- **MODEL 12:** Plug jumper J12 first to the position middle and left (position RAM discharge) and then to middle and right position. Leave jumper J12 at this position (position before battery replacement).
- Carefully plug the cable connectors to the controller board without reversing the polarities and replace the mounting plate in the reverse order.
- Install the old Option FLOPPY DISK DRIVE CMU-U61 or PCMCIA INTERFACE in the FRONT MODULE in the reverse order.
- Install the FRONT MODULE in the CMU in the reverse order.

Note: Make sure to route the cables of the Option FLOPPY DISK DRIVE CMU-U61 or PCMCIA INTERFACE properly, not to catch them and insert them on the MOTHERBOARD1 before sliding the FRONT MODULE completely into the CMU.

- Complete the instrument without causing damage to the cables.

Putting into operation

- Connect the instrument to the mains.
- Connect the external keyboard to the keyboard connector on the rear panel of the CMU.
- Switch on the CMU.
- Press the key DEL (Delete) on the external keyboard in order to get into the Setup menu
- Choose the item DEFAULT OPTIMAL (MODEL 04) / LOAD CMU-DEFAULTS (MODEL 12) and press *ENTER*; quit with y and *ENTER*.
- Choose the item Setup Standard and set date and time. Exit with *ESC* key.
- Exit BIOS Setup with the key *ESC* and quit with y (save changes and exit) and *ENTER*.

The CMU starts the operating software automatically, it is ready for use and can be operated as usual.

Replacing the Hard Disk in the FRONT MODULE

(see chapter 5, *spare part list*, *Current No. 490 and 495* and *explosion drawing 1090.9244.01 D*)

The hard disk is incorporated in the FRONT MODULE (MODULE 04) or outside on the back of the aluminum panel of the FRONT MODULE (MODEL 12). For replacement proceed as follows:

Opening the instrument and removing the FRONT MODULE

- Switch off the instrument, pull the mains plug and unscrew the rear-panel feet.
- Place the instrument onto the front carrying handles, push the tube upwards and take off.

Only MODEL 04:

- Unscrew the four screws of the front handles at the instrument frame on both sides and take off the front handles.
- Unscrew a countersunk screw (if present) at the front on the labeling panel next to the spinwheel and pull off the labeling panel towards the front.
- Unscrew two countersunk screws in the front frame at the top and at the bottom as well as two countersunk screws at the front above the AUX1/2 BNC connectors.
- Unscrew a combi screw at the top of the module support for support of the Option FLOPPY DISK DRIVE CMU-U61 or PCMCIA INTERFACE.
- After unscrewing the two countersunk screws at the top left instrument frame, slightly lift the cover at the top of the instrument, slightly shift towards the right and lift off.
- Slightly push the FRONT MODULE from the rear to the front using little pressure.
 - Note:** *Note the connecting cables for the Option FLOPPY DISK DRIVE CMU-U61 or PCMCIA INTERFACE that are still connected to the MOTHERBOARD.*
- After sliding out the FRONT MODULE disconnect the respective connecting cable for the option from the MOTHERBOARD1 as follows:
 - Option FLOPPY DISK DRIVE CMU-U61: The connecting cable is a film cable.
 - Lift the locking bracket of the connector on the MOTHERBOARD1 and remove the film cable.
 - Option PCMCIA INTERFACE: The connecting cable consists of three ribbon cables.
 - Disconnect the three ribbon cables from the MOTHERBOARD1 connector.
- Take the FRONT MODULE completely out of the CMU.

Removing the hard disk from the FRONT MODULE**MODEL 04:**

- Unscrew the two countersunk screws on the cover of the Option FLOPPY DISK DRIVE CMU-U61 or PCMCIA INTERFACE and carefully pull out the option from the FRONT MODULE towards the front.
- Place the FRONT MODULE onto a clean surface with the aluminum panel pointing downwards.
- Unscrew the four screws on the mounting plate at the top, bottom and right and carefully swing away the mounting plate towards the rear.
- Pull off the connecting cables to the LCD, DC/AC illumination converter, keyboard membrane and spinwheel.

Note: *When pulling off the connecting cables be careful with the cable connecting to the keyboard. It is a film cable which can only be disconnected after sliding up the lock of the film cable plug. Besides, be careful with the ribbon cable connecting to the spinwheel. First loosen the locking brackets of the plug.*

- Remove the ribbon cable from the hard disk to the FRONT MODULE CONTROLLER, unscrew the four screws of the bracket through the rear of the aluminum panel and take out the hard disk.

MODEL 12:

- After unscrewing the two countersunk screws at the top left instrument frame, slightly lift the cover at the top of the instrument, slightly shift towards the right and lift off.
- Remove the ribbon cable from the hard disk to the FRONT MODULE CONTROLLER, unscrew the two screws on the back of the aluminum panel of the FRONT MODULE and pull out the harddisk. Unscrew the hard disk from the disk holder.

Installing the new hard disk**MODEL 04:**

- Carefully insert the new hard disk, fasten with the four screws of the bracket through the rear of the aluminum panel and connect the ribbon cable to the FRONT MODULE CONTROLLER.

Note: *The hard disk is an IDE hard disk which can be obtained under R&S spare part list, Current No. 490. It is already formatted for the CMU and contains the operating system.*

- Carefully plug the cable connectors to the controller board without reversing the polarities and replace the mounting plate in the reverse order.

Only MODEL 04: Installing the option again and completing the instrument

- Install the old Option FLOPPY DISK DRIVE CMU-U61 or PCMCIA INTERFACE in the FRONT MODULE in the reverse order.
- Then install the FRONT MODULE in the CMU in the reverse order.

Note: *Make sure to route the cables of the Option FLOPPY DISK DRIVE CMU-U61 or PCMCIA INTERFACE properly, not to catch them and insert them on the MOTHERBOARD1 before sliding the FRONT MODULE completely into the CMU.*

- Complete the instrument without causing damage to the cables.

MODEL 12:

- Carefully fit the new hard disk, fasten with the four screws to the disk holder. Insert the hard disk with the disk holder on the back of the aluminum case of the FRONT MODULE. Be careful with the lower cover plate locking in the concerning opening.
Connect the ribbon cable to the FRONT MODULE CONTROLLER. Fit the disk holder with two screws to the aluminum panel of the FRONT MODULE.
- Complete the instrument without causing damage to the cables.

Putting into operation

- Connect the instrument to the mains and switch on: The built-in *FRONT MODULE CONTROLLER* registers on the LCD. The BIOS is factory-set to the CMU, the new hard disk is automatically detected.
- Install the new software (see chapter 4, *Firmware update*).

Replacing the Memory Modules in the FRONT MODULE

(see chapter 5, *spare part list*, Current No. 470 or 480 (MODEL 04)
Current No. 475 or 485 (MODEL 12) and explosion drawing 1090.9244.01 D sheet 2/3)

The memory modules are incorporated in the FRONT MODULE. The FRONT MODULE CONTROLLER features two SIMM-72 slots, in each of which up to 32 MB memory can be fitted (MODEL 04) or two SODIMM-144 slots, in each of which up to 64 MB memory can be fitted (MODEL 12). The BIOS automatically detects the size of the memory modules. For replacement proceed as follows:

Opening the instrument and removing the FRONT MODULE

- Switch off the instrument, pull the power plug, unscrew the rear-panel feet.
- Place the instrument onto the front carrying handles, push the tube upwards and take off.
- Unscrew the four screws of the front handles from the instrument frame on both sides and take off the front handles.
- Unscrew a countersunk screw (if present) at the front on the labeling panel next to the spinwheel and pull off the labeling panel towards the front.
- Unscrew two countersunk screws in the front frame at the top and at the bottom as well as two countersunk screws at the front above the AUX1/2 BNC connectors.
- Unscrew a combi screw at the top of the module support for support of the Option FLOPPY DISK DRIVE CMU-U61 or PCMCIA INTERFACE.
- After unscrewing the two countersunk screws at the top left instrument frame slightly lift the cover at the top of the instrument, slightly shift towards the right and lift off.
- Slightly push the FRONT MODULE from the rear to the front using little pressure.
 - Note:** Note the connecting cables for the Option FLOPPY DISK DRIVE CMU-U61 or PCMCIA INTERFACE that are still connected to the MOTHERBOARD1.
- After sliding out the FRONT MODULE disconnect the respective connecting cable for the option from the MOTHERBOARD as follows:
 - Option FLOPPY DISK DRIVE CMU-U61: The connecting cable is a film cable.
 - Lift the locking bracket of the connector on the MOTHERBOARD1 and remove the film cable.
 - PCMCIA INTERFACE: The connecting cable consists of three ribbon cables.
 - Disconnect the three ribbon cables from the MOTHERBOARD1 connector.
- Take the FRONT MODULE completely out of the CMU.

Making the memory modules accessible

- Unscrew the two countersunk screws on the cover of the Option FLOPPY DISK DRIVE CMU-U61 or PCMCIA INTERFACE and carefully pull out the option from the FRONT MODULE towards the front.
- Place the FRONT MODULE onto a clean surface with the aluminum panel pointing downwards.
- Unscrew the four screws on the mounting plate at the top, bottom and right and carefully swing away the mounting plate towards the rear.
- Pull off the connecting cables to the LCD, DC/AC illumination converter, keyboard membrane and spinwheel.

Note: When pulling off the connecting cables be careful with the cable connecting to the keyboard. It is a film cable which can only be disconnected after sliding up the lock of the film cable plug. Besides, be careful with the ribbon cable connecting to the spinwheel. First loosen the locking brackets of the plug.

Removing the memory module

- Remove the old module: Carefully bend the lateral brackets towards the outside and pull out the memory module.

Installing the new memory module and completing the instrument

- Insert the new module: insert the memory module into the slot, slightly press towards the rear and engage the brackets on the sides.

Note: **MODEL 04:** The memory modules can be obtained with the size 16 MB (spare part list, Current No. 470) and 32 MB (spare part list, Current No. 480). It is possible to insert two of these modules, even of different size. First fit slot 1 (U35) and then slot 2 (U36).

MODEL 12: The memory modules can be obtained with the size 32 MB (spare part list, Current No. 475) and 64 MB (spare part list, Current No. 485). It is possible to insert two of these modules, even of different size. It is not recommended to fit more than 64 MB in sum. First fit slot 1 (U24) and then slot 2 (U25).

- Carefully plug the cable connectors to the controller board without reversing the polarities and replace the mounting plate in the reverse order.
- Install the old Option FLOPPY DISK DRIVE CMU-U61 or PCMCIA INTERFACE in the FRONT MODULE in the reverse order.

Note: Make sure to route the cables of the Option FLOPPY DISK DRIVE CMU-U61 or PCMCIA INTERFACE properly, not to catch them and insert them on the MOTHERBOARD before sliding the FRONT MODULE completely into the CMU.

- Complete the instrument without causing damage to the cables.

Putting into operation

- Connect the instrument to the mains and switch on. The built-in FRONT MODULE CONTROLLER registers on the LCD. The BIOS is factory-set to the CMU.
- If required, supplement the BIOS Setup as follows:
 - Connect external keyboard to keyboard connector on the rear panel of the CMU.
 - If the message 'CMOS Memory Size wrong, RUN SETUP, Press F1 to resume' appears, press the F1 key.
 - Quit the BIOS setup using the ESC key and the RETURN key.

The CMU starts the operating software automatically and is ready for use and can be operated as usual.

Replacing the LCD and/or DC/AC Converter in the FRONT MODULE

(see chapter 5, spare part list, LCD: Current No. 360/365, DC/AC Converter: Current No. 410/415 and explosion drawing 1090.9244.01 D sheet 2/3)

The LCD is accommodated on the mounting plate of the FRONT MODULE together with the associated DC/AC converter. It is connected to the FRONT MODULE CONTROLLER via cables, which can also be replaced individually. For replacement proceed as follows:

Opening the instrument and removing the FRONT MODULE

- Switch off the instrument, pull the mains plug and unscrew the rear-panel feet.
- Place the instrument onto the front carrying handles, push the tube upwards and take off.
- Unscrew the four screws of the front handles at the instrument frame on both sides and take off the front handles.
- Unscrew a countersunk screw (if present) at the front on the labeling panel next to the spinwheel and pull off the labeling panel towards the front.
- Unscrew two countersunk screws in the front frame at the top and at the bottom as well as two countersunk screws at the front above the AUX1/2 BNC connectors.
- Unscrew a combi screw at the top of the module support for support of the Option FLOPPY DISK DRIVE CMU-U61 or PCMCIA INTERFACE.
- After unscrewing the two countersunk screws at the top left instrument frame slightly lift the cover at the top of the instrument, slightly shift towards the right and lift off.
- Slightly push the FRONT MODULE from the rear to the front using little pressure.

Note: Note the connecting cables for the Option FLOPPY DISK DRIVE CMU-U61 or PCMCIA INTERFACE that are still connected to the MOTHERBOARD1.

- After sliding out the FRONT MODULE disconnect the respective connecting cable for the option from the MOTHERBOARD1 as follows:
 - Option FLOPPY DISK DRIVE CMU-U61: The connecting cable is a film cable.
 - Lift the locking bracket of the connector on the MOTHERBOARD1 and remove the film cable.
 - PCMCIA INTERFACE: The connecting cable consists of three ribbon cables.
 - Disconnect the three ribbon cables from the MOTHERBOARD1 connector.
- Take the FRONT MODULE completely out of the CMU.

Making the LCD accessible

- Unscrew the two countersunk screws on the cover of the Option FLOPPY DISK DRIVE CMU–U61 or PCMCIA INTERFACE and carefully pull out the option from the FRONT MODULE towards the front.
- Place the FRONT MODULE onto a clean surface with the aluminum panel pointing downwards.
- Unscrew the four screws on the mounting plate at the top, bottom and right and carefully swing away the mounting plate towards the rear.
- Pull off the connecting cables to the LCD, DC/AC illumination converter, keyboard membrane and spinwheel.

Note: When pulling off the connecting cables be careful with the cable connecting to the keyboard. It is a film cable which can only be disconnected after sliding up the lock of the film cable plug. Besides, be careful with the ribbon cable connecting to the spinwheel. First loosen the locking brackets of the plug.

Removing the LCD and/or DC/AC Converter

- Unscrew the two screws of the DC/AC converter shielding and pull off the plug of the connecting cable to the DC/AC converter.
- If required, unscrew the two screws of the DC/AC converter and loosen the connecting cable to the FRONT MODULE CONTROLLER.
- Remove the DC/AC converter.
- Loosen the four screws of the LCD shielding and take off the shielding.



Warning!

If there are spacing pieces under the LCD shielding, use them again for installation.

- Loosen the connecting cable to the FRONT MODULE CONTROLLER by unscrewing the two screws and remove.
- Unscrew the four screws of the LCD on the mounting plate and remove the LCD.

Installing the new LCD and/or DC/AC converter and completing the instrument

- Insert new LCD and/or DC/AC converter in the reverse order, connect all connecting cables in the correct position and replace all screws.
- Carefully plug the cable connectors to the controller board without reversing the polarities and replace the mounting plate in the reverse order.
- Replace the old Option FLOPPY DISK DRIVE CMU–U61 or PCMCIA INTERFACE in the FRONT MODULE in the reverse order.

Note: Make sure to route the cables of the Option FLOPPY DISK DRIVE CMU–U61 or PCMCIA INTERFACE properly, not to catch them and insert them on the MOTHERBOARD before sliding the FRONT MODULE completely into the CMU.

- Complete the instrument without causing damage to the cables.

Putting into operation

- Connect the instrument to the mains and switch on.

The built-in front-module controller registers on the LCD and starts the operating software.

Replacing the Keyboard Membrane and/or Mat on the FRONT MODULE

(see chapter 5, *spare part list*, Current No. 290 (Keyboard Mat) / 300 (Keyboard Membrane) and explosion drawing 1090.9244.01 D sheet 2/3)

The keyboard membrane is the contact film for the rubber keys (mat) behind the labeling panel and the keyboard frame. For replacement proceed as follows:

Opening the instrument and removing the FRONT MODULE

- Switch off the instrument, pull the mains plug and unscrew the rear-panel feet.
- Place the instrument onto the front carrying handles, push the tube upwards and take off.
- Unscrew the four screws of the front handles at the instrument frame on both sides and take off the front handles.
- Unscrew a countersunk screw (if present) at the front on the labeling panel next to the spinwheel and pull off the labeling panel towards the front.
- Unscrew two countersunk screws in the front frame at the top and at the bottom as well as two countersunk screws at the front above the AUX1/2 BNC connectors.
- Unscrew a combi screw at the top of the module support for support of the Option FLOPPY DISK DRIVE CMU-U61 or PCMCIA INTERFACE.
- After unscrewing the two countersunk screws at the top left instrument frame slightly lift the cover at the top of the instrument, slightly shift towards the right and lift off.
- Slightly push the FRONT MODULE from the rear to the front using little pressure.

Note: Note the connecting cables for the Option FLOPPY DISK DRIVE CMU-U61 or PCMCIA INTERFACE that are still connected to the MOTHERBOARD1.

- After sliding out the FRONT MODULE disconnect the respective connecting cable for the option from the MOTHERBOARD1 as follows:
 - Option FLOPPY DISK DRIVE CMU-U61: The connecting cable is a film cable.
 - Lift the locking bracket of the connector on the MOTHERBOARD1 and remove the film cable.
 - PCMCIA INTERFACE: The connecting cable consists of three ribbon cables.
 - Disconnect the three ribbon cables from the MOTHERBOARD1 connector.
- Take the FRONT MODULE completely out of the CMU.

Removing the membrane

- Unscrew the two countersunk screws on the cover of the Option FLOPPY DISK DRIVE CMU-U61 or PCMCIA INTERFACE and carefully pull out the option from the FRONT MODULE towards the front.
- Place the FRONT MODULE onto a clean surface with the aluminum panel pointing downwards.
- Unscrew the four screws on the mounting plate at the top, bottom and right and carefully swing away the mounting plate towards the rear.
- Pull off the connecting cables to the LCD, DC/AC converter, membrane and spinwheel.
Note: *When pulling off the connecting cables be careful with the cable connecting to the keyboard. It is a film cable which can only be disconnected after sliding up the lock of the film cable plug. Besides, be careful with the ribbon cable connecting to the spinwheel. First loosen the locking brackets of the plug.*
- Place the mounting plate onto the surface with the keyboard frame pointing upwards and unscrew the 10 countersunk screws of the keyboard frame.
- Pull off the knob of the spinwheel.
- Lift off the keyboard frame as well as the mat which is now accessible.
- Lift off the membrane and pull the connecting cable through the hole of the mounting plate.

Installing the new membrane and completing the instrument

- Insert the new membrane and/or mat in the reverse order, insert the mat at the correct position (observe the labeling of the keys!) and fasten the keyboard frame with screws.
- Carefully plug the cable connectors to the controller board without reversing the polarities and replace the mounting plate in the reverse order.
- Install the old Option FLOPPY DISK DRIVE CMU-U61 or PCMCIA INTERFACE in the FRONT MODULE in the reverse order.
- Install the FRONT MODULE in the CMU in the reverse order.
Note: *Make sure to route the cables of the Option FLOPPY DISK DRIVE CMU-U61 or PCMCIA INTERFACE properly, not to catch them and insert them on the MOTHERBOARD1 before sliding the FRONT MODULE completely into the CMU.*
- Complete the instrument without causing damage to the cables.

Putting into operation

- Connect the instrument to the mains and switch on.

The built-in FRONT MODULE CONTROLLER registers on the LCD and starts the operating software.

Replacing the Labeling Panel on the FRONT MODULE

(see chapter 5, *spare part list*, *Current No. 260* and *explosion drawing 1100.0008.01 D sheet 2*)

The labeling panel is the outer front panel which carries the labeling of all the parts on the front side of the CMU. For replacement proceed as follows:

Removing the old labeling panel

- Switch off the instrument and pull the mains plug.
- Unscrew the four screws of the front handles at the instrument frame on both sides and take off the front handles.
- Unscrew a countersunk screw (if present) at the front on the labeling panel next to the spinwheel and pull off the labeling panel towards the front.

Installing the new labeling panel and completing the instrument

- Install the new labeling panel and tighten all screws.
- Complete the instrument.

Putting into operation

- Connect the instrument to the mains and switch on.

The built-in FRONT MODULE CONTROLLER registers on the LCD and starts the operating software.

Replacing the Options FLOPPY DISK DRIVE CMU-B61 or PCMCIA INTERFACE

(see chapter 5, spare part list, Current No. 780 (FLOPPY DISK DRIVE) and 830 (PCMCIA INTERFACE, and explosion drawing 1100.0008.01 D sheet 2)

The options FLOPPY DISK DRIVE or PCMCIA INTERFACE are fitted on the FRONT MODULE. For replacement proceed as follows:

Opening the instrument and removing the FRONT MODULE

- Switch off the instrument, pull the mains plug and unscrew the rear-panel feet.
- Place the instrument onto the front carrying handles, push the tube upwards and take off.
- Unscrew the four screws of the front handles at the instrument frame on both sides and take off the front handles.
- Unscrew a countersunk screw (if present) at the front on the labeling panel next to the spinwheel and pull off the labeling panel towards the front.
- Unscrew two countersunk screws in the front frame at the top and at the bottom as well as two countersunk screws at the front above the AUX1/2 BNC connectors.
- Unscrew a combi screw at the top of the module support for support of the Option FLOPPY DISK DRIVE CMU-U61 or PCMCIA INTERFACE.
- After unscrewing the two countersunk screws at the top left instrument frame slightly lift the cover at the top of the instrument, slightly shift towards the right and lift off.
- Slightly push the FRONT MODULE from the rear to the front using little pressure.

Note: Note the connecting cables for the Option FLOPPY DISK DRIVE CMU-U61 or PCMCIA INTERFACE that are still connected to the MOTHERBOARD1.

- After sliding out the FRONT MODULE disconnect the respective connecting cable for the option from the MOTHERBOARD1 as follows:
 - Option FLOPPY DISK DRIVE CMU-U61: The connecting cable is a film cable.
 - Lift the locking bracket of the connector on the MOTHERBOARD1 and remove the film cable.
 - PCMCIA INTERFACE: The connecting cable consists of three ribbon cables.
 - Disconnect the three ribbon cables from the MOTHERBOARD1 connector.
- Take the FRONT MODULE completely out of the CMU.

Replacing the option

- Unscrew the two countersunk screws on the cover of the Option FLOPPY DISK DRIVE CMU-U61 or PCMCIA INTERFACE and carefully pull out the option from the FRONT MODULE towards the front.
- Option FLOPPY DISK DRIVE: Unscrew the countersunk screws on the frame of the FLOPPY DISK DRIVE and take out the FLOPPY DISK DRIVE.
- Install the new FLOPPY DISK DRIVE or PCMCIA INTERFACE in the FRONT MODULE in the reverse order.
- Install the FRONT MODULE in the CMU in the reverse order.

Note: Make sure to route the cables of the Option FLOPPY DISK DRIVE CMU-U61 or PCMCIA INTERFACE properly, not to catch them and insert them on the MOTHERBOARD1 before sliding the FRONT MODULE completely into the CMU.

Completing the instrument and putting into operation

- Complete the instrument without causing damage to the cables.
- Connect the instrument to the mains and switch on.
- If the Option FLOPPY DISK DRIVE CMU-B61 is replaced by PCMCIA INTERFACE, the following BIOS setup modification will be necessary:
 - Connect the external keyboard to the keyboard connector at the rear of the CMU.
 - Switch the CMU off and on.
 - Press the hardkey 'Delete' at the external keyboard to get in the BIOS setup.
 - Select *Setup* with cursor keys and confirm with *ENTER*.
 - Select 'Floppy A' with cursor keys and confirm with *ENTER*.
 - Select 'Not installed' with cursor keys and confirm with *ENTER*.
 - Quit BIOS Setup by pressing twice the hardkey *ESC* and confirm with *ENTER*. The CMU starts automatically.
- If PCMCIA INTERFACE is replaced by the Option FLOPPY DISK DRIVE CMU-B61, the following BIOS Setup modification will be necessary:
 - Connect the external keyboard to the keyboard connector at the rear of the CMU.
 - Switch the CMU off and on.
 - Press the hardkey 'Delete' at the external keyboard to get in the BIOS Setup.
 - Select *Setup* with cursor keys and confirm with *ENTER*.
 - Select 'Floppy A' with cursor keys and confirm with *ENTER*.
 - Select '1.44 MB 3 1/2' with cursor keys and confirm with *ENTER*.
 - Quit BIOS Setup by pressing twice the hardkey *ESC* and confirm with *ENTER*. The CMU starts automatically.

The built-in FRONT MODULE CONTROLLER registers on the LCD and starts the operating software.

Replacing the RF FRONTEND

(see chapter 5, *spare part list*, *Current No. 520* and *explosion drawing 1100.0008.01 D sheet 2*)

The RF FRONTEND is installed at the bottom of the CMU at the front right. For replacement proceed as follows:

Opening the instrument and removing the RF FRONTEND

- Switch off the instrument, pull the mains plug and unscrew the rear-panel feet.
- Place the instrument onto the front carrying handles, push the tube upwards and take off.
- Place the instrument upside down to make the bottom accessible.
- Pull off the ribbon cable to the MOTHERBOARD on the RF FRONTEND. Completely unscrew RF SMA coax cables to the RXTX BOARD1 (if present, also those to the RXTX2 BOARD and RXTXAUX1/2 connectors) on the RF FRONTEND and RXTX BOARD1 using a special wrench*.
- Unscrew the two countersunk screws at the bottom front of the front frame and one countersunk screw on the side panel of the CMU for supporting the RF FRONTEND.
- Pull the RF FRONTEND approx. 20 mm towards the rear and then swing towards the bottom.

Installing the new RF FRONTEND MODULE and completing the instrument

- Insert the RF FRONTEND into the instrument in the reverse order and connect all cables.
- Complete the instrument without causing damage to the cables.
- Connect the instrument to the mains and switch on.

Automatic module data adjustment

- During startup observe the display.
- When three BEEPs can be heard, press the *MENU SELECT* key.
The version manager is started (see also chapter 4, *Firmware update*). The display includes the menu item *FIRMWARE UPDATE AFTER BOARD CHANGE*.
- Press the softkey to the left of the above mentioned menu item.
The automatic module data adjustment is performed under software control, firmware updates for microprocessors and programmable devices being performed as well. This may take a few minutes.

After the adjustment has been terminated, the operating software starts automatically and the CMU is ready for use and complies with the specifications, except for the level accuracy.

In order to achieve the level accuracy described in the data sheet, a so-called path error data record is necessary.

To this end, the CMU must be measured using the test system ACS 100 (see chapter 1, *Performance Test*).

* available in CMU-Service Kit CMU-Z3 (1100.7690.02)

Replacing the REFERENCE BOARD

(see chapter 5, *spare part list*, *Current No. 540* and *explosion drawing 1100.0008.01 D sheet 2*)

The REFERENCE BOARD is installed at the front right top of the CMU as plug-in module in the cage. For replacement proceed as follows:

Opening the instrument and removing the REFERENCE BOARD

- Switch off the instrument, pull the mains plug and unscrew the rear-panel feet.
- Place the instrument onto the front carrying handles, push the tube upwards and take off.
- Unscrew the combi screw from the locking bracket of the module in the vicinity of the instrument fan and fold up.
- Pull off all MMCX plug-in cables (using a pull-out tool*) from the top of the REFERENCE BOARD and pull out the module towards the top with the help of the locking bracket.

Installing the new REFERENCE BOARD and completing the instrument

- Insert the new REFERENCE BOARD in the instrument in the reverse order and connect all MMCX plug-in cables.
- Perform manual adjustment +5 VDC reference voltage and TCXO adjustment as described in chapter 2.
- Complete the instrument without causing damage to the cables.
- Connect the instrument to the mains and switch on.

Automatic module data adjustment

- During startup observe the display.
- When three BEEPs can be heard, press the *MENU SELECT* key.
The version manager is started (see also chapter 4, *Firmware update*). The display includes the menu item *FIRMWARE UPDATE AFTER BOARD CHANGE*.
- Press the softkey to the left of the above mentioned menu item.
The automatic module data adjustment is performed under software control, firmware updates for microprocessors and programmable devices being performed as well. This may take a few minutes.

After the adjustment has been terminated, the operating software starts automatically and the CMU is ready for use and complies with the specifications.

* available in CMU-Service Kit CMU-Z3 (1100.7690.02)

Replacing the RXTX BOARD1

(see chapter 5, *spare part list*, *Current No. 550* and *explosion drawing 1100.0008.01 D sheet 2*)

The RXTX BOARD1 is installed in the module support as plug-in module. For replacement proceed as follows:

Opening the instrument and removing the RXTX BOARD1

- Switch off the instrument, pull the mains plug and unscrew the rear-panel feet.
- Place the instrument onto the front carrying handles, push the tube upwards and take off.
- After unscrewing the two countersunk screws at the top left instrument frame, slightly lift the cover at the top of the instrument, slightly shift towards the right and lift off.
- Place the instrument to the left side and unscrew the two RF SMA coax cables at the bottom of the RXTX BOARD1 using a special wrench*. Likewise pull off the MMCX plug-in cable (using a pull-out tool*) from the bottom.
- Pull off all MMCX plug-in cables from the top of the RXTX1 BOARD and pull out the board using the two levers on both sides.

Installing the new RXTX BOARD1 and completing the instrument

- Insert the new RXTX BOARD1 into the instrument in the reverse order and carefully connect all the MMCX plug-in and RF SMA coax cables.
- Complete the instrument without causing damage to the cables.
- Connect the instrument to the mains and switch on.

Automatic module data adjustment

- During startup observe the display.
- When three BEEPs can be heard, press the *MENU SELECT* key.
The version manager is started (see also chapter 4, *Firmware update*). The display includes the menu item *FIRMWARE UPDATE AFTER BOARD CHANGE*.
- Press the softkey to the left of the above mentioned menu item.
The automatic module data adjustment is performed under software control, firmware updates for microprocessors and programmable devices being performed as well. This may take a few minutes.

After the adjustment has been terminated, the operating software starts automatically and the CMU is ready for use and complies with the specifications, except for the high-precision level accuracy. In order to achieve the level accuracy as described in the data sheet, a so-called path error data record is necessary.

To this end, the CMU must be measured using the test system ACS 100 (see chapter 1, *Performance Test*).

* available in CMU-Service Kit CMU-Z3 (1100.7690.02)

Replacing the TR-CORRECTION MODULE in the RXTX BOARD1

(see chapter 5, *spare part list*, *Current No. 555* and *explosion drawing 1100.0008.01 D*)

The TR-CORRECTION MODULE is incorporated in the RXTX1 BOARD as sandwich module. For replacement proceed as follows:

Opening the instrument and removing the TR-CORRECTION MODULE

- Switch off the instrument, pull the mains plug and unscrew the rear-panel feet.
- Place the instrument onto the front carrying handles, push the tube upwards and take off.
- After unscrewing the two countersunk screws at the top left instrument frame, slightly lift the cover at the instrument top, slightly push to the right and lift off.
- Place the instrument to the left side and unscrew the two RF SMA coax cables at the bottom of the RXTX BOARD1 using a special wrench. Likewise, pull off the MMCX plug-in cable at the bottom.
- Pull off all the MMCX plug-in cables (using a pull-out tool*) from the top of the RXTX BOARD1 and pull off the module towards the top using the two levers on the right and left.
- Unscrew one screw of each cooling plate, pull off the cooling plates towards the side and then unscrew all screws of the RXTX aluminum cover shells. Then the cover shells of the top and bottom can be removed.
- Pull off the sandwich module TR-CORRECTION MODULE (using a pull-out tool*) from the RXTX BOARD1.

Installing the new TR-CORRECTION BOARD and completing the instrument

- Insert the new TR-CORRECTION MODULE.
- Reinsert the cover shells in the reverse order and fasten with screws. Attach the cooling plates again.
- Insert the RXTX BOARD1 into the instrument in the reverse order and carefully connect all the MMCX plug-in cables and RF-SMA coax cables.
- Complete the instrument without causing damage to the cables.
- Connect the instrument to the mains and switch on.

Automatic module data adjustment

- During startup observe the display.
- When three BEEPs can be heard, press the *MENU SELECT* key.
The version manager is started (see also chapter 4, *Firmware update*). The display includes the menu item *FIRMWARE UPDATE AFTER BOARD CHANGE*.
- Press the softkey to the left of the above mentioned menu item.
The automatic module data adjustment is performed under software control, firmware updates for microprocessors and programmable devices being performed as well. This may take a few minutes.

After the adjustment has been terminated, the operating software starts automatically and the CMU is ready for use and complies with the specifications, except for the high-precision level accuracy. In order to achieve the level accuracy as described in the data sheet, a so-called path error data record is necessary.

To this end, the CMU must be measured using the test system ACS 100 (see chapter 1, *Performance Test*).

* available in CMU-Service Kit CMU-Z3 (1100.7690.02)

Replacing the DIGITAL BOARD

(see chapter 5, *spare part list*, *Current No. 570* and *explosion drawing 1100.0008.01 D sheet 2*)

The DIGITAL BOARD is incorporated in the module support as plug-in module. For replacement proceed as follows:

Opening the instrument and removing the DIGITAL BOARD

- Switch off the instrument, pull the mains plug and unscrew the rear-panel feet.
- Place the instrument onto the front carrying handles, push the tube upwards and take off.
- After unscrewing the two countersunk screws at the top left instrument frame, slightly lift the cover at the instrument top, slightly push to the right and lift off.
- Pull off all the MMCX plug-in cables (using a pull-out tool*) from the top of the DIGITAL BOARD and pull off the module towards the top using the two levers on the right and left.

Installing the new DIGITAL BOARD and completing the instrument

- Insert the new DIGITAL BOARD into the instrument in the reverse order and connect all the MMCX plug-in cables.
- Complete the instrument without causing damage to the cables.
- Connect the instrument to the mains and switch on.

Automatic module data adjustment

- During startup observe the display.
- When three BEEPs can be heard, press the *MENU SELECT* key.
The version manager is started (see also chapter 4, *Firmware update*). The display includes the menu item *FIRMWARE UPDATE AFTER BOARD CHANGE*.
- Press the softkey to the left of the above mentioned menu item.
The automatic module data adjustment is performed under software control, firmware updates for microprocessors and programmable devices being performed as well. This may take a few minutes.

After the adjustment has been terminated, the operating software starts automatically and the CMU is ready for use and complies with the specifications, except for the high-precision level accuracy. In order to achieve the level accuracy as described in the data sheet, a so-called path error data record is necessary.

To this end, the CMU must be measured using the test system ACS 100 (see chapter 1, *Performance Test*).

* available in CMU-Service Kit CMU-Z3 (1100.7690.02)

Replacing the MODULES: ADC MODULE1, DDC MODULE1, TXDSP MODULE1, AUC MODULE1 in the DIGITAL BOARD

(see chapter 5, spare part list, Current No. 590 (ADC MODULE1), Current No. 580 (DDC MODULE1), Current No. 600 (TXDSP MODULE1), Current No. 610 (AUC MODULE1) and explosion drawing 1100.1791.01 D sheet 2)

The sandwich modules ADC MODULE1, DDC MODULE1, TXDSP MODULE1 and AUC MODULE1 are installed in the DIGITAL BOARD as plug-in modules. For replacement proceed as follows:

Opening the instrument and removing the modules

- Switch off the instrument, pull the mains plug and unscrew the rear-panel feet.
- Place the instrument onto the front carrying handles, push the tube upwards and take off.
- After unscrewing the two countersunk screws at the top left instrument frame, slightly lift the cover at the instrument top, slightly push to the right and lift off.
- Pull off all the MMCX plug-in cables (using a pull-out tool*) from the top of the DIGITAL BOARD and pull off the module towards the top using the two levers on the right and left.
- Remove the cover of the higher HVC side (B-side) by loosening the cover screws.
- Carefully lever out the respective sandwich module (using a pull-out tool*) in the case of the ADC MODULE loosen the two fixing screws before.

Installing the new sandwich module and completing the instrument

- Replace by a new module.

Caution!

Take care to insert the module at the correct position.



The heat conducting mats have to be stuck to the components of the modules (see chapter 5, drawing 1100.1791.01 D sheet 2).

- Insert the DIGITAL BOARD into the instrument in the reverse order and connect all the MMCX plug-in cables.
- Complete the instrument without causing damage to the cables.
- Connect the instrument to the mains and switch on.

* available in CMU-Service Kit CMU-Z3 (1100.7690.02)

Automatic module data adjustment

- During startup observe the display.
- When three BEEPs can be heard, press the *MENU SELECT* key.
The version manager is started (see also chapter 4, *Firmware update*). The display includes the menu item *FIRMWARE UPDATE AFTER BOARD CHANGE*.
- Press the softkey to the left of the above mentioned menu item.
The automatic module data adjustment is performed under software control, firmware updates for microprocessors and programmable devices being performed as well. This may take a few minutes.

After the adjustment has been terminated, the operating software starts automatically and the CMU is ready for use and complies with the specifications, except for the high-precision level accuracy. In order to achieve the level accuracy as described in the data sheet, a so-called path error data record is necessary.

To this end, the CMU must be measured using the test system ACS 100 (see chapter 1, *Performance Test*).

Replacing the Option OCXO REFERENCE OSC. CMU-B11 or CMU-B12

(see chapter 5, spare part list, Current No. 690 (OCXO REFERENCE OSC. CMU-B11), 710 (OCXO REFERENCE OSC. CMU-B12) and explosion drawing 1100.0008.01 D sheet 2)

The Option OCXO REFERENCE OSC. is fitted at the right side panel below the instrument fan in the CMU. For replacement proceed as follows:

Opening the instrument and removing the OPTION OCXO REFERENCE OSC.

- Switch off the instrument, pull the mains plug and unscrew the rear-panel feet.
- Place the instrument onto the front carrying handles, push the tube upwards and take off.
- Place the instrument onto the left side, locate the OPTION OCXO (see chapter 5, explosion drawing 1100.0008.01 D sheet 2) and unscrew the two combi screws on the module support and one combi screw on the MOTHERBOARD1.
- Pull off OPTION OCXO REFERENCE OSC. from the MOTHERBOARD1 connector, slightly tilt and swing out towards the bottom.

Installing the new OPTION OCXO REFERENCE OSC. and completing the instrument

- Install the new OPTION OCXO REFERENCE OSC. in the reverse order. Tighten the three combi screws again.

Note: Make sure that the 10-pin connector to the MOTHERBOARD is inserted correctly.

- Complete the instrument without causing damage to the cables.

Manual OCXO adjustment

- Connect the instrument to the mains and switch on.
- Check the frequency accuracy and, if necessary, perform manual OCXO adjustment as described in chapter 2.

Replacing the Option UNIVERSAL SIGNALLING UNIT CMU-B21

(see chapter 5, *spare part list*, *Current No. 730* and *explosion drawing 1100.0008.01 D sheet 2*)

The OPTION UNIV. SIGN. UNIT is installed in the module support as plug-in module. For replacement proceed as follows:

Opening the instrument and removing the OPTION UNIV. SIGN. UNIT

- Switch off the instrument, pull the mains plug and unscrew the rear-panel feet.
- Place the instrument onto the front carrying handles, push the tube upwards and take off.
- After unscrewing the two countersunk screws at the top left instrument frame slightly lift the cover at the top of the instrument, slightly shift towards the right and lift off.
- Take out the module using the two levers on the right and left.

Installing the new OPTION UNIV. SIGN. UNIT and completing the instrument

- Insert the new OPTION UNIV. SIGN. UNIT into the instrument in the reverse order.
- Complete the instrument without causing damage to the cables.
- Connect the instrument to the mains and switch on.

Automatic module data adjustment

- During startup observe the display.
- When three BEEPs can be heard, press the *MENU SELECT* key.
The version manager is started (see also chapter 4, *Firmware update*). The display includes the menu item *FIRMWARE UPDATE AFTER BOARD CHANGE*.
- Press the softkey to the left of the above mentioned menu item.
The automatic module data adjustment is performed under software control, firmware updates for microprocessors and programmable devices being performed as well. This may take a few minutes.

After the adjustment has been terminated, the operating software starts automatically and the CMU is ready for use and complies with the specifications.

Replacing the MODULES: DSP MODULE0/1, IQOUT MODULE, OPTION SPEECH CODEC CMU-B52 (INCLUDES DSP MODULE3) in the UNIV. SIGN. UNIT

(see chapter 5, spare part list, Current No. 740 (DSP MODULE0), 741 (DSP MODULE1), 760 (SPEECH CODEC), 765 (DSP MODULE3), 750 (I/Q OUT MODULES) and explosion drawing 1100.5216.01 D sheet 2)

The sandwich modules DSP MODULE0, DSP MODULE1, IQOUT MODULE and OPTION SPEECH CODEC CMU-B52 (includes DSP MODULE3) are installed in the UNIV. SIGN. UNIT as plug-in modules. For replacement proceed as follows:

Opening the instrument and removing the modules

- Switch off the instrument, pull the mains plug and unscrew the rear-panel feet.
- Place the instrument onto the front carrying handles, push the tube upwards and take off.
- After unscrewing the two countersunk screws at the top left instrument frame slightly lift the cover at the top of the instrument, slightly shift towards the right and lift off.
- Take out the module using the two levers on the right and left.
- Take off the cover on the higher side (B-side) by loosening the cover screws.
- Carefully lever out the respective sandwich module (using a pull-out tool*) (see chapter 5, drawing 1100.5216.01 D sheet 2).

Installing the new sandwich module and completing the instrument

- Replace by new module.

Caution!



Take care to insert the respective module (DSP MODULE0 and DSP MODULE1 modules are of the same design) with the correct polarity (see chapter 5, drawing 1100.5216.01 sheet 2).

- Replace the cover and fasten with screws.
- Insert the Option UNIV. SIGN. UNIT into the instrument in the reverse order.
- Complete the instrument without causing damage to the cables.
- Connect the instrument to the mains and switch on.

* available in CMU-Service Kit CMU-Z3 (1100.7690.02)

Automatic module data adjustment

- During startup observe the display.
- When three BEEPs can be heard, press the *MENU SELECT* key.
The version manager is started (see also chapter 4, *Firmware update*). The display includes the menu item *FIRMWARE UPDATE AFTER BOARD CHANGE*.
- Press the softkey to the left of the above mentioned menu item.
The automatic module data adjustment is performed under software control, firmware updates for microprocessors and programmable devices being performed as well. This may take a few minutes.

After the adjustment has been terminated, the operating software starts automatically and the CMU is ready for use and complies with the specifications.

Replacing the Option AUDIO-GEN. + ANA. CMU-B41

(see chapter 5, *spare part list*, *Current No. 755 and 756* and *explosion drawing 1100.0008.01 D sheet 2*)

The Option AUDIO-GEN. + ANA. is installed at the front right top of the CMU as plug-in module in the cage. For replacement proceed as follows:

Opening the instrument and removing the Option AUDIO-GEN. + ANA.

- Switch off the instrument, pull the mains plug and unscrew the rear-panel feet.
- Place the instrument onto the front carrying handles, push the tube upwards and take off.
- Unscrew the combi screw from the locking bracket of the module in the vicinity of the instrument fan and fold up.
- Pull off all MMCX plug-in cables (using a pull-out tool*) from the top of the Option AUDIO-GEN. + ANA. and pull out the module towards the top with the help of the locking bracket.

Installing the new Option AUDIO-GEN. + ANA. and completing the instrument

- Insert the new Option AUDIO-GEN. + ANA. in the instrument in the reverse order and connect all MMCX plug-in cables.
- Complete the instrument without causing damage to the cables.
- Connect the instrument to the mains and switch on.

Automatic module data adjustment

- During startup observe the display.
- When three BEEPs can be heard, press the *MENU SELECT* key.
The version manager is started (see also chapter 4, *Firmware update*). The display includes the menu item *FIRMWARE UPDATE AFTER BOARD CHANGE*.
- Press the softkey to the left of the above mentioned menu item.
The automatic module data adjustment is performed under software control, firmware updates for microprocessors and programmable devices being performed as well. This may take a few minutes.

After the adjustment has been terminated, the operating software starts automatically and the CMU is ready for use and complies with the specifications.

* available in CMU-Service Kit CMU-Z3 (1100.7690.02)

Replacing the POWER SUPPLY

(see chapter 5, *spare part list*, *Current No. 670* and *explosion drawing 1100.0008.01 D sheet 2*)

The POWER SUPPLY is fitted at the rear of the instrument frame of the CMU. For replacement proceed as follows:

Removing the POWER SUPPLY

- Switch off the instrument and pull the mains plug.
- Unscrew the ten screws at the rear of the POWER SUPPLY. Pull out the power supply approx. 10 mm to 20 mm towards the rear, slightly tilt towards the bottom and then pull out completely.

Installing the new POWER SUPPLY

- Install the new POWER SUPPLY in the reverse order.
 - Note:** *Make sure that the 96-pin connector to the MOTHERBOARD1 locks in place correctly.*
- Connect the instrument to the mains and switch on.

Replacing the Instrument Fan

(see chapter 5, spare part list, Current No. 80, and explosion drawing 1100.0008.01 D sheet 2)

The fan is fitted at the right side panel of the CMU in an air duct. For replacement proceed as follows:

Opening the instrument and removing the fan

- Switch off the instrument, pull the mains plug and unscrew the rear-panel feet.
- Place the instrument onto the front carrying handles, push the tube upwards and take off.
- Place the instrument onto the left side and locate the fan connecting cable. Coming from the air duct, the cable leads to connector X211 at MOTHERBOARD1 near the Option OCXO REFERENCE OSC.. If this is installed, it can as well be removed in order to enable easier access to the fan connector (see replacing the OPTION OCXO REFERENCE OSC.).
- Pull off the connector from MOTHERBOARD1. To this end, press the locking lever at the top of the connector towards the connector and lift off the cable.
- Lever off the cover of the air duct and unscrew the four countersunk screws of the fan in the right side panel of the CMU. Carefully take out the fan towards the top and pull the connecting cable through the hole in the air duct (Take off the adhesive tapes of the cable entry and keep them for later).

Installing the new fan and completing the instrument

- Replace the new fan in the reverse order.
 - Note:** Make sure that the air direction of the fan is such that air is sucked in from the right side of the CMU and pressed through the air duct. Note the arrows on the fan casing.
- Reconnect the fan connecting cable to MOTHERBOARD1 (Fix again the adhesive tapes of the cable entry).
- Complete the instrument without causing damage to the cables.
- Connect the instrument to the mains and switch on.

Replacing the MOTHERBOARD

(see chapter 5, spare part list, Current No. 620 (MOTHERBOARD1), Current No. 630 (MOTHERBOARD2), Current No. 660 (FRONTPANEL BOARD), Current No. 640 (REARPANEL BOARD1), Current No. 650 (REARPANEL BOARD2) and explosion drawing 1100.0008.01 D)

The MOTHERBOARD consists of five parts: MOTHERBOARD1, MOTHERBOARD2, FRONTPANEL BOARD, REARPANEL BOARD1 and REARPANEL BOARD2.

For replacement of the individual parts proceed as follows:

MOTHERBOARD1 (big MOTHERBOARD)

Opening the instrument and removing MOTHERBOARD1

- Switch off the instrument, pull the mains plug and unscrew the rear-panel feet.
- Place the instrument onto the front carrying handles, push the tube upwards and take off.
- After unscrewing the two countersunk screws at the top left instrument frame slightly lift the cover at the top of the instrument, slightly shift towards the right and lift off.
- Loosen all connecting cables to the boards, then lever out all boards as described above using the two levers at the right and at the left.
- Likewise, remove the POWER SUPPLY and the FRONT MODULE, disconnect the ribbon cable connections to the RF-FRONTEND, MOTHERBOARD2, FRONTPANEL BOARD, REARPANEL BOARD1 and REARPANEL BOARD2. Disconnect the fan connecting cable and remove the Option OCXO REFERENCE OSC, if installed.
- Remove the partition inserted between air duct and module support as reinforcement by unscrewing the four screws.
- Place the instrument upside down and unscrew all the five combi screws on MOTHERBOARD1, then slightly shift MOTHERBOARD1 towards the rear until the six motherboard supports slide out of the keyholes. Then swing out MOTHERBOARD1 towards the top.

Installing the new MOTHERBOARD1 and completing the instrument

- Insert new MOTHERBOARD1 and connect all connectors and modules in the reverse order.
- Complete the instrument without causing damage to the cables.
- Connect the instrument to the mains and switch on.

MOTHERBOARD2 (small MOTHERBOARD)**Opening the instrument and removing MOTHERBOARD2**

- Switch off the instrument and pull the mains plug and unscrew the rear-panel feet.
- Place the instrument onto the front carrying handles, push the tube upwards and take off.
- Unscrew the combi screw of the module locking bracket near the instrument fan and swing away the locking bracket towards the top.
- Disconnect all the MMCX plug-in cables (using a pull-out tool*) from the top of the REFERENCE BOARD and pull off the module.
- If installed, remove any other optional module next to the REFERENCE BOARD.
- Disconnect the two ribbon cables from the MOTHERBOARD2. Unscrew the four screws from MOTHERBOARD2 and take out.

Installing the new MOTHERBOARD2 and completing the instrument

- Replace new MOTHERBOARD2, fasten with screws and connect all connectors and modules in the reverse order.
- Complete the instrument without causing damage to the cables.
- Connect the instrument to the mains and switch on.

FRONTPANEL BOARD (at the front of the instrument frame)**Opening the instrument and removing the FRONTPANEL BOARD**

- Switch off the instrument and pull the mains plug and unscrew the rear-panel feet.
- Place the instrument onto the front carrying handles, push the tube upwards and take off.
- Remove the FRONT MODULE as described above.
- Unscrew the four countersunk screws of part of the mounting plate in the front frame at the bottom and the top, loosen the two ribbon cables from MOTHERBOARD1 and the MMCX coax cables (using a pull-out tool*) on the option (if installed) next to the REFERENCE BOARD.
- Loosen all interface screws on part of the mounting plate and take out the FRONTPANELBOARD.

Installing the new FRONTPANEL BOARD and completing the instrument

- Install new FRONTPANEL BOARD, fasten with screws and connect all connectors and modules in the reverse order.
- Complete the instrument without causing damage to the cables.
- Connect the instrument to the mains and switch on.

* available in CMU-Service Kit CMU-Z3 (1100.7690.02)

REARPANEL BOARD1 (Interface board for Standard Connectors at the Rear of the Instrument Frame)

Opening the instrument and removing the REARPANEL BOARD1

- Switch off the instrument and pull the mains plug and unscrew the rear-panel feet.
- Place the instrument onto the front carrying handles, push the tube upwards and take off.
- Place the instrument onto the left side.
- Pull off the two ribbon cables of the REARPANEL BOARD1 on MOTHERBOARD1.
- Loosen all interface screws on the integrated rear panel below the POWER SUPPLY and take out the REARPANEL BOARD1.

Installing the new REARPANEL BOARD1 and completing the instrument

- Install new REARPANEL BOARD1, fasten with screws and connect all connectors in the reverse order.
- Complete the instrument without causing damage to the cables.
- Connect the instrument to the mains and switch on.

REARPANEL BOARD2 (Interface Board for Further Connectors at the Rear of the Instrument Frame)

Opening the Instrument and removing the REARPANEL BOARD2

- Switch off the instrument and pull the mains plug and unscrew the rear-panel feet.
- Place the instrument onto the front carrying handles, push the tube upwards and take off.
- Slightly lift the cover at the top of the instrument after unscrewing the two countersunk screws on the left, slightly shift to the right and lift off.
- Place the instrument onto the left side.
- Disconnect the two ribbon cables of the REARPANEL BOARD2 from MOTHERBOARD1.
- Unscrew the 6 combi screws of the rear-panel cover and disconnect all coax cables of the BNC connectors at the respective modules. Disconnect any option connectors mounted on the integrated rear panel. Pull the rear panel towards the rear.
- Loosen all interface screws to the REARPANEL BOARD2 on the integrated rear panel and take out REARPANEL BOARD2.

Installing the new REARPANEL BOARD2 and completing the instrument

- Install new REARPANEL BOARD2, fasten with screws and connect all connectors in the reverse order.
- Complete the instrument without causing damage to the cables.
- Connect the instrument to the mains and switch on.

Troubleshooting

Faulty functions may sometimes originate in simple causes, but sometimes they also result from faulty components.

These troubleshooting instructions permit to trace the fault down to module level and make the instrument ready for use again by means of module adjustment.

For the module adjustment and further error elimination, we recommend to send the instrument to our authorized service (see list of addresses, *preface*).

**Warning!**

Live modules must not be removed or plugged in!

Do not produce short-circuits when measuring voltages!

For simple troubleshooting, the CMU provides the following tools:

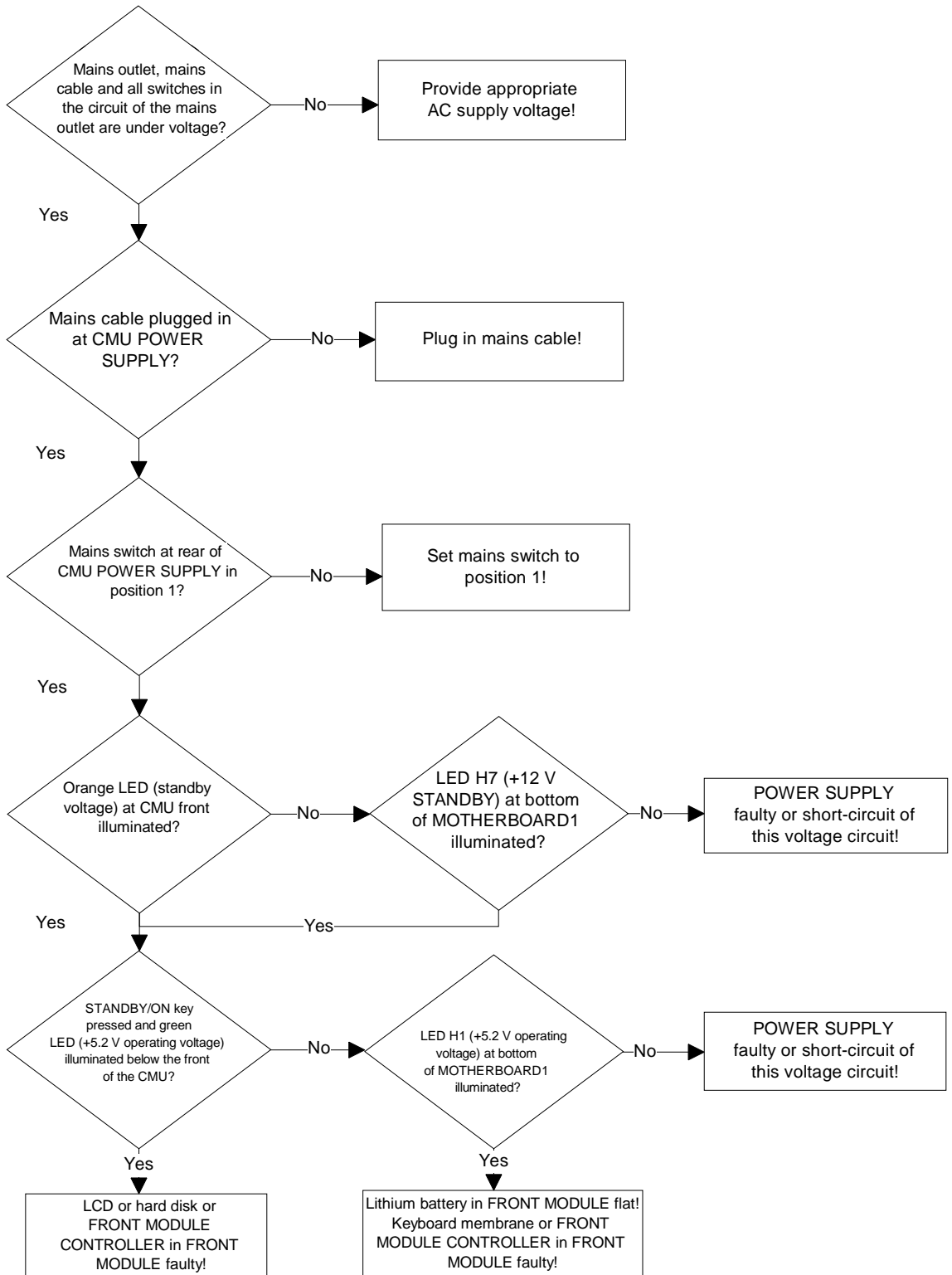
- Nine green LEDs (H1 to H8) at the bottom of MOTHERBOARD1, which indicate the operating voltages.
- A SELFTEST and INFO menu, which presents voltages via the module-internal diagnosis and RF loop-measurements with internal RF generator and RF analyzer.
- ERROR messages on the LCD display with references to sources of error.

Note: *In the case of problems first check all connections for damage (cables, plug-and-socket connections etc.) or wrong positions.*

For advanced troubleshooting on board-level, see Service Manual Modules (1100.4903.94-01).

Troubleshooting using the LEDs (H1 to H8) on the MOTHERBOARD

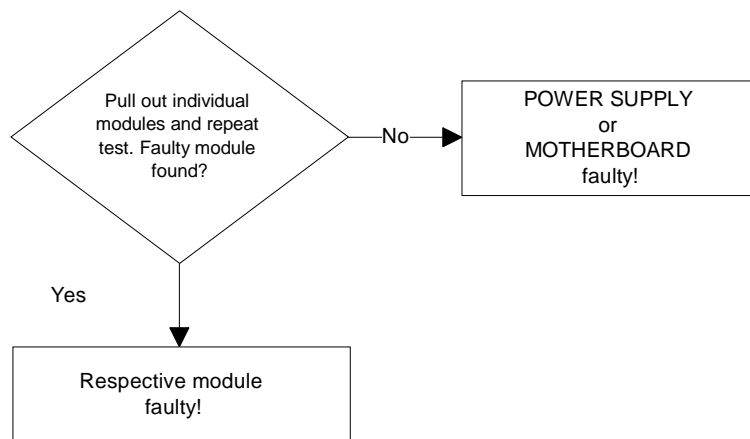
- Fault: CMU cannot be switched on.



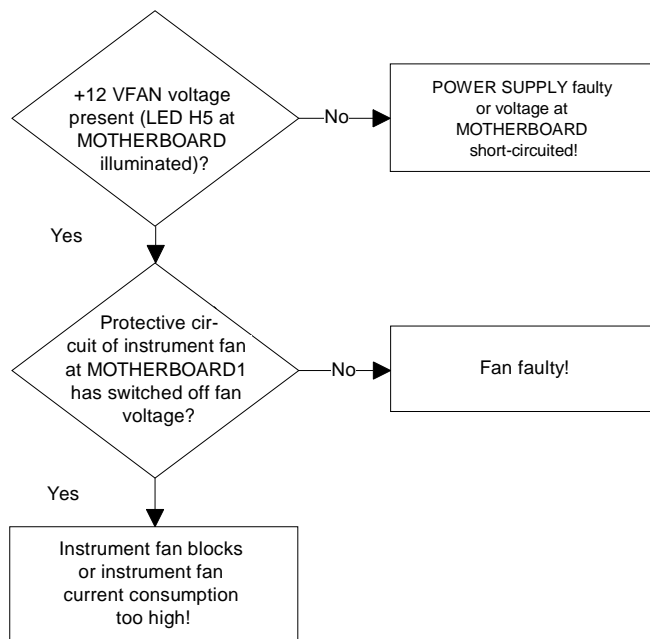
- **Fault: Short-circuit of one or several operating voltages**

- Check LEDs (H1 to H8) at the bottom of MOTHERBOARD1 to determine which voltage is short-circuited.

Note: *In the case of a short-circuit, the power supply switches off all voltages after a short period of time.
Restart is possible using the ON/STANDBY key.*



- **Fault: Instrument fan does not work.**



Note: *Measure instrument fan voltage at connector X 211! By pressing the STANDBY/ON key again, the protective circuit of the instrument fan can be restarted.*

Troubleshooting using the SELFTEST Menu for Modules

The SELFTEST menu indicate the diagnostic voltages for the individual modules of which the modules settings are exactly defined. Thus, a specific selftest of the respective module is possible.

This menu additionally features internal RF power measurements which are designed as RF loop with internal generator and analyzer. This is why a simple RF path is possible.

The selftest menu can be called up via the *MENU SELECT* key on the front panel of the CMU.

Call the selection BASE via the spinwheel in the *MENU SELECT* and confirm with ENTER.

The respective selftest can be selected via the softkey *SELECT* and the spinwheel.

The following selftests are available:

- Continuous Selftest (Continous selftest via System Selftest and Internal RF Loop Selftest, passed/failed with error output is only indicated; additionally in case of errors, it is created an error file 'cst.err*')
- Internal RF Loop Selftest (Selftest RF path by power measurements via internal generator and analyzer, in this case all measured values are indicated.)
- System Selftest (Selftest instrument for diagnostic voltages, passed/failed with error output is only indicated.)
- FE Selftest (Selftest Module RF FRONTEND for diagnostic voltages, in this case all measured values are indicated.)
- REF Selftest (Selftest Module REFERENCE BOARD for diagnostic voltages, in this case all measured values are indicated.)
- DIG Selftest (Selftest Module DIGITAL BOARD for diagnostic voltages, in this case all measured values are indicated.)
- RXTX1 Selftest (Selftest Module RXTX1 BOARD for diagnostic voltages, in this case all measured values are indicated.)
- 1→4/3→2 RF Loop Selftest RF Path RF1→RF4IN and RF3OUT→RF2 via external N-coax cable by power measurements via internal generator and analyser, in this case all measured values are indicated.

After having selected and confirming with the ENTER key, the test can be started by selecting the TEST softkey and the ON key.

Pressing the REPORT softkey and turning the spinwheel the indicated page can be pulled up and down. If errors (red color) are produced by this test, the error will be found out and eliminated on the respective module.

* **Note:** You can read the error file 'cst.err' as follows:

- Connect the external keyboard connector to the rear panel of the CMU.
- Switch on the CMU and wait until the CMU is booted.
- Start the Continuous Selftest (only when errors have occurred, the file 'cst.err' is created. Don't finish the Continuous Selftest with OFF, otherwise the 'cst.err' file will be deleted.)
- Press the keys ALT and F4 of the external keyboard to get to the DOS mode.
- Read the file with the DOS editor: 'edit cst.err'
- Quit the DOS editor and start CMU operating software with: 'cmu.bat'.

Troubleshooting using the INFO Menu for Modules

The INFO menu can be called up via the *INFO* key on the front panel of the CMU from each measurement application of the CMU. Thus, it is possible to get diagnostic voltages, when the measurement application on the respective module is exactly selected, e.g. to determine whether a PLL has locked in.

The respective module state can be selected via the softkey *SELECT* and the spinwheel.

The following info menus are available:

- FE State (State test MODULE RF FRONTEND for diagnostic voltages, in this case all measured values are indicated.)
- REF State (State test MODULE REFERENCE BOARD for diagnostic voltages, in this case all measured values are indicated.)
- DIG State (State test MODULE DIGITAL BOARD for diagnostic voltages, in this case all measured values are indicated.)
- RXTX1 State (State test RXTX1 BOARD for diagnostic voltages, in this case all measured values are indicated.)

After having selected and confirming with the *ENTER* key, the test can be started by selecting the *TEST* softkey and the *ON* key.

Pressing the *REPORT* softkey and turning the spinwheel the indicated page can be pulled up and down.

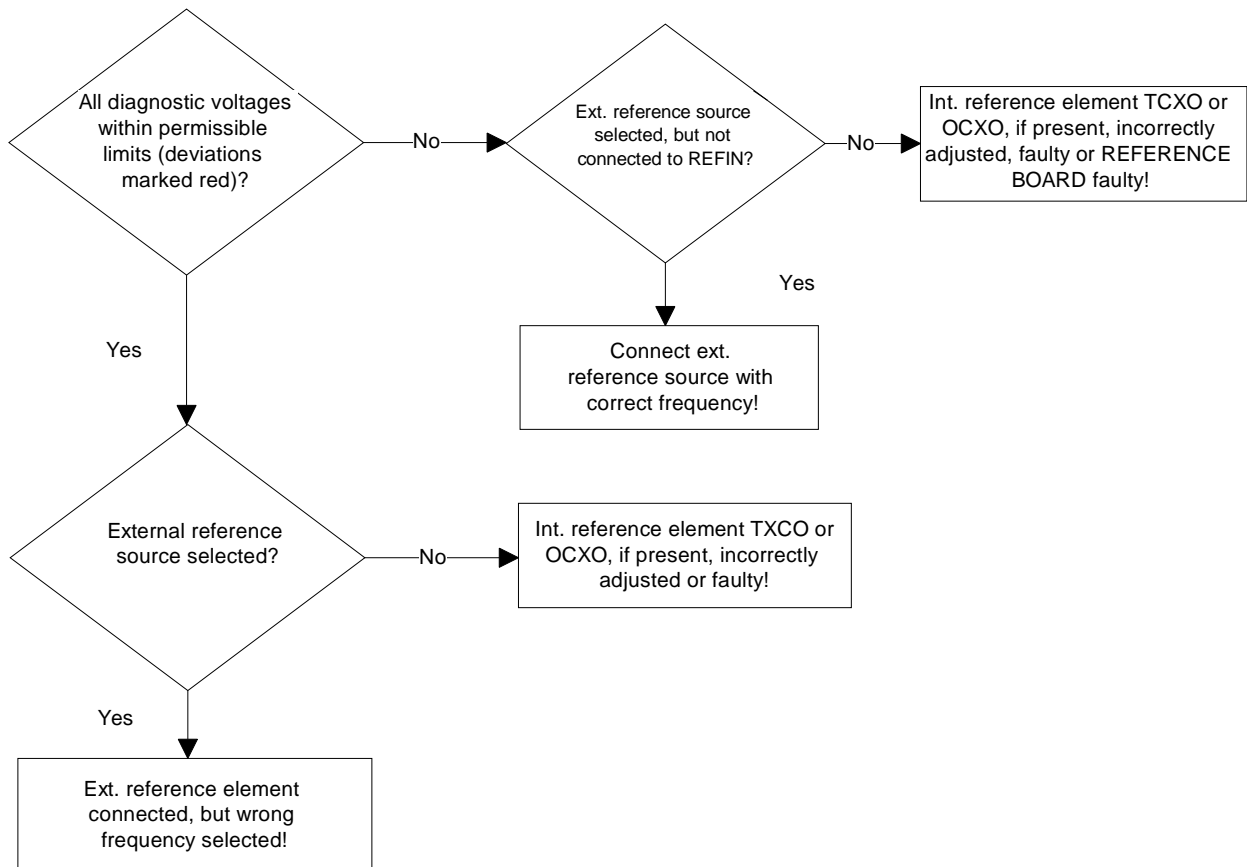
Note: Diagnostic voltages which are called up by the *INFO* key, are partly depending on the active measurement application. Which is why some voltages may be out of tolerance (red color), when this function is not used by the selected application.

If the fault is not clear, it is useful to call up the SELFTEST Menu and check all diagnostic voltages of the modules to determine whether there are discernible deviations. This knowledge then enables a specific module replacement in order to eliminate the error.

- **Example: Info menu REFERENCE BOARD**

Fault: The frequency accuracy of the RF signal deviates.

Call the Maintenance Menu via the *INFO* Key select REFERENCE BOARD, start the diagnosis measurement using the *TEST* Key and activate the *ON* hardkey.



Troubleshooting using the ERROR messages on the LC display

Error message	Error description	Troubleshooting to
These clocks are not present: NET_CLOCK_1 NET_CLOCK_2	Netclock 1 / 2 not present	REFERENCE BOARD, DIGITAL BOARD, MMCX cable W31/W32
These clocks are not present: FIXED_CLOCK	110.8MHz Reference clock not present	REFERENCE BOARD, DIGITAL BOARD, MMCX cable W33
DIG diag adc cal error	Calibration error of the diagnosis AC/DC converter	DIGITAL BOARD
FE pow adc cal error	Calibration error of the power meter AC/DC converter	RF FRONTEND
FE eprom data error FE pow meter data error	General eprom data error Eprom power meter data error	RF FRONTEND RF FRONTEND
timeout in 331 handshake	Communication error correction processor	TR-CORRECTION MODULE on RXTX BOARD

More troubleshooting

General errors on the transmitter side of the CMU

Error description	Troubleshooting to
Setting frequency in the module test faulty	REFERENCE BOARD MMCX cable W12 RXTX BOARD1 TR-CORRECTION MODULE1 MMCX cable W17 AUC MODULE1 TX DSP MODULE1
Setting frequency in the signalling test faulty	UNIV. SIGN. UNIT DIGITAL BOARD
Setting level in the module test faulty	RF FRONTEND SMA-cable W13 RXTX BOARD1 TR-CORRECTION MODULE1 MMCX cable W17 AUC MODULE1 TX DSP MODULE1
Setting level in the signalling test faulty	UNIV. SIGN. UNIT DIGITAL BOARD
Modulation in the module test faulty	DIGITAL BOARD AUC MODULE1 TX DSP MODULE1
Modulation in the signalling test faulty	DIGITAL BOARD AUC MODULE 1 UNIV. SIGN. UNIT

4 Software Update/Installing Options

This chapter contains information on extension and modification of the CMU. Additional manuals obtained together with a software/firmware update or with subsequently acquired options can be filed here.

New Installation of the CMU Software

A software update can be performed in the CMU using the PCMCIA INTERFACE or the FLOPPY DISK DRIVE (CMU-U61).

One of these is always installed in the CMU (compulsory option).

The software update is carried out in the CMU using the **VersionManager**. This tool enables convenient installation, deletion and activation of different software versions. It also permits to perform a firmware update of modules following module replacement (see chapter 2, *Automatic Adjustment*).

The CMU is always supplied with the latest software version including the version manager.

Note: *The newest CMU software is also available at the R&S Lotus Notes Service Board.*

Software Update via PCMCIA INTERFACE

For the PCMCIA INTERFACE, two drive slots are provided. Both drive slots can be used for the software update. An installation medium is automatically searched for. The flash disks type and the hard disk (type 3) feature a small groove on one side; the disks are to be inserted into the drive slot with the groove pointing upwards.

Note: *The drive designation is as follows: right drive slot (slot 0) is drive D; left drive slot (slot 1) is drive E. Hard disk can only be inserted into the right drive slot (Slot 0; drive D:).*

To perform the software update, the instrument must be switched off, then the software update flash disk or hard disk must be inserted into the PCMCIA INTERFACE on the instrument and the instrument switch on.

Then the further update flash disks (if necessary) must be inserted one after the other. Please follow the hints in the **VersionManager**.

Software Update via FLOPPY DISK DRIVE

To perform the software update, the instrument must be switched off, then the first software update floppy ('3.5') must be inserted into the FLOPPY DISK DRIVE of the instrument and the instrument switched on.

Then the further update floppies must be inserted one after the other. Please follow the hints in the **VersionManager**.

Performing a Software Update

On start-up, an automatic test is made to check whether an update floppy disk or a flash disk/hard disk is available. If this is the case, the version manager is started, displaying the following possible selections:

VersionManager Ver X.X

The active CMU software is the version: [active version]

- ← activate other software version
- ← delete a software version
- ← install software version from FLOPPY DISK DRIVE or PCMCIA Slot X
- ← firmware update after board change
- ← edit service tables
- ← exit

In the above menu, an action can be selected using the softkey located to the left of the arrow.

- For the software update select the action *install new software version* from the Floppy DISK DRIVE or the PCMCIA Slot X.
- Press the softkey to the left of the above mentioned menu item. An overview of the software versions that already provided on the installation media will appear.
- Select the desired version by pressing the softkey to the left of the arrow.

The software update will then start automatically, prompting the user to insert a further update floppy disk or flash disk, if necessary. Confirm using the ENTER hardkey.

Note: *In the case of several update floppy disks or flash disks always observe the order of the disk numbers.*

- When all update floppy disks or flash disks have been loaded, follow the prompt
Remove installation media and press ENTER key

The CMU boots again and automatically performs a firmware update of the hardware boards. This may take a few minutes. Then the new software version will start and the CMU is ready for use.

Reinstalling the Old Software

As described above, each software version, even older versions, can be simply loaded from a appropriate floppy disk or flash disk/hard disk using the version manager. It is also possible to keep several software versions stored on the hard disk in the CMU and reload them, if required, using the version manager. To this end, proceed as follows:

- During start-up observe the display.
- When three BEEPs can be heard, press the *MENU SELECT* key.
The version manager is now started (see also chapter 4, *Software Update*). The display includes the menu item *activate other software version*.
- Press the softkey to the left of the above mentioned menu item.
An overview of the software versions that are already provided in the CMU will appear.
- Select the desired version by pressing the softkey to the left of the arrow.

The selected software version is loaded. After the firmware update of the hardware boards has been terminated, the operating software starts automatically and the CMU is ready for use and can be operated as usual.

Loading Software as long as there is no VersionManager in the CMU

In case of unintentional deletion of the version manager, new loading of the version manager is necessary.

For this purpose, a software update floppy disk or flash disk type 2 / hard disk (type 3) and an external keyboard to be plugged in at the rear panel of the CMU at the KEYBOARD connector are required.

- Insert software update floppy disk No. 1 or flash disk / hard disk into the respective drive, switch on the CMU and use the external keyboard to select drive a: (with floppy disk drive) or d:/e: (with flash disk/hard disk) when the DOS prompt appears.

Note: *Using the hardkey combination 'Alt' and 'F4' on the external keyboard you get from the operating software into the DOS mode.*

- Change to the subdirectory of the update floppy or flash disk/hard disk (cd\...).
- Enter the command install.bat a:/d:/e: (corresponding to the respective drive) via the external keyboard.
- Confirm using the ENTER hardkey.

The version manager will be loaded and a software update can then be performed as described above.

Installing the Options

The following options are available with the CMU:

Option OCXO REFERENCE OSC. $2 \cdot 10^{-7}$ Aging/year	CMU-B11	1110.5000.02
Option OCXO REFERENCE OSC. $3.5 \cdot 10^{-8}$ Aging/year	CMU-B12	1110.5100.02
Option ADDITIONAL RF/IF CONNECTORS	CMU-B15	1110.6006.02
Option UNIVERSAL SIGNALLING UNIT	CMU-B21	1100.5200.02
Option AUDIO-GEN. + ANA.	CMU-B41	1100.5300.02
Option SPEECH CODEC for CMU-B21	CMU-B52	1110.5400.02
Bluetooth for CMU	CMU-B53	1100.5700.02
Option FLOPPY DISK DRIVE	CMU-U61	1110.5500.02
Option Abis Interface Unit	CMU-B71	1100.6406.02
Option CDMA (IS95) Signalling Unit	CMU-B81	1100.6506.02
SW Package for network tests, see overview of CMU manuals at the beginning of this service manual	CMU-Kxx	

Depending on the model ordered and the software configuration, the CMU comes with part of the options installed in the factory. For retrofitting, please note the mounting instructions enclosed with the options.

These mounting instructions can be filed at this place in the service manual and are thus easily available whenever they are required.

Caution!



The following accessories for the rackmount are available:

- 19" adapter ZZA-411 (standard installation kit with bracket),
Stock No. 1096.3283.00

Installation of Option CMU-B11 OCXO REF.OSC. (1100.5000.02)

Contents

1 Preparation	2
2 Installation of Option.....	3
3 Assembling Unit	4
4 Functional Test of Option CMU-B11	5

This option may also be installed at the customer's

1 Preparation

- 1.1 Switch off unit and unplug power cable.
- 1.2 Screw off cabinet feet (four cross-recessed screws, size 2).
- 1.3 Place unit on handles at the front, push casing upwards and remove (Fig. 1).

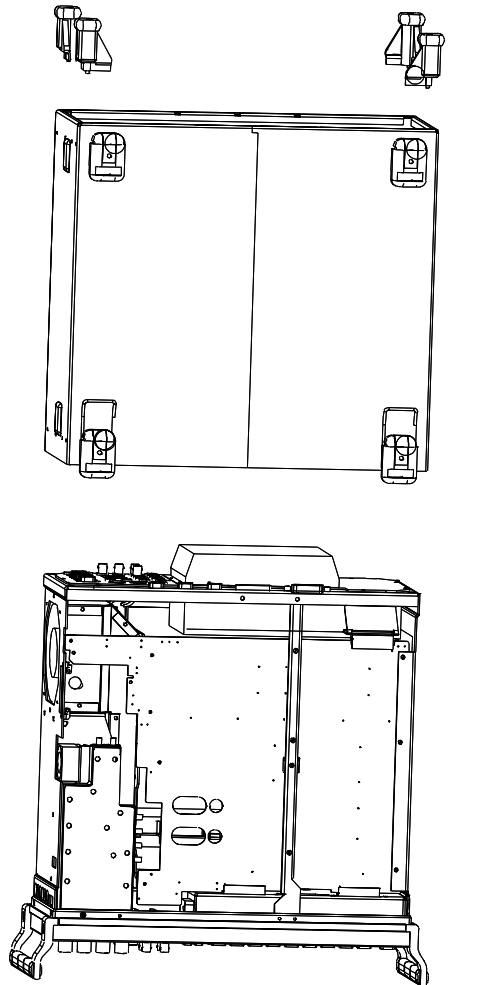


Fig. 1

2 Installation of Option

- 2.1 Insert OCXO REFERENCE OSC. into unit from the side until it plugs into connector X212 on motherboard 1.
- 2.1 Fit OCXO REFERENCE OSC. using the three supplied screw and washer assemblies (VS 0071.5040.00, see Fig. 2).

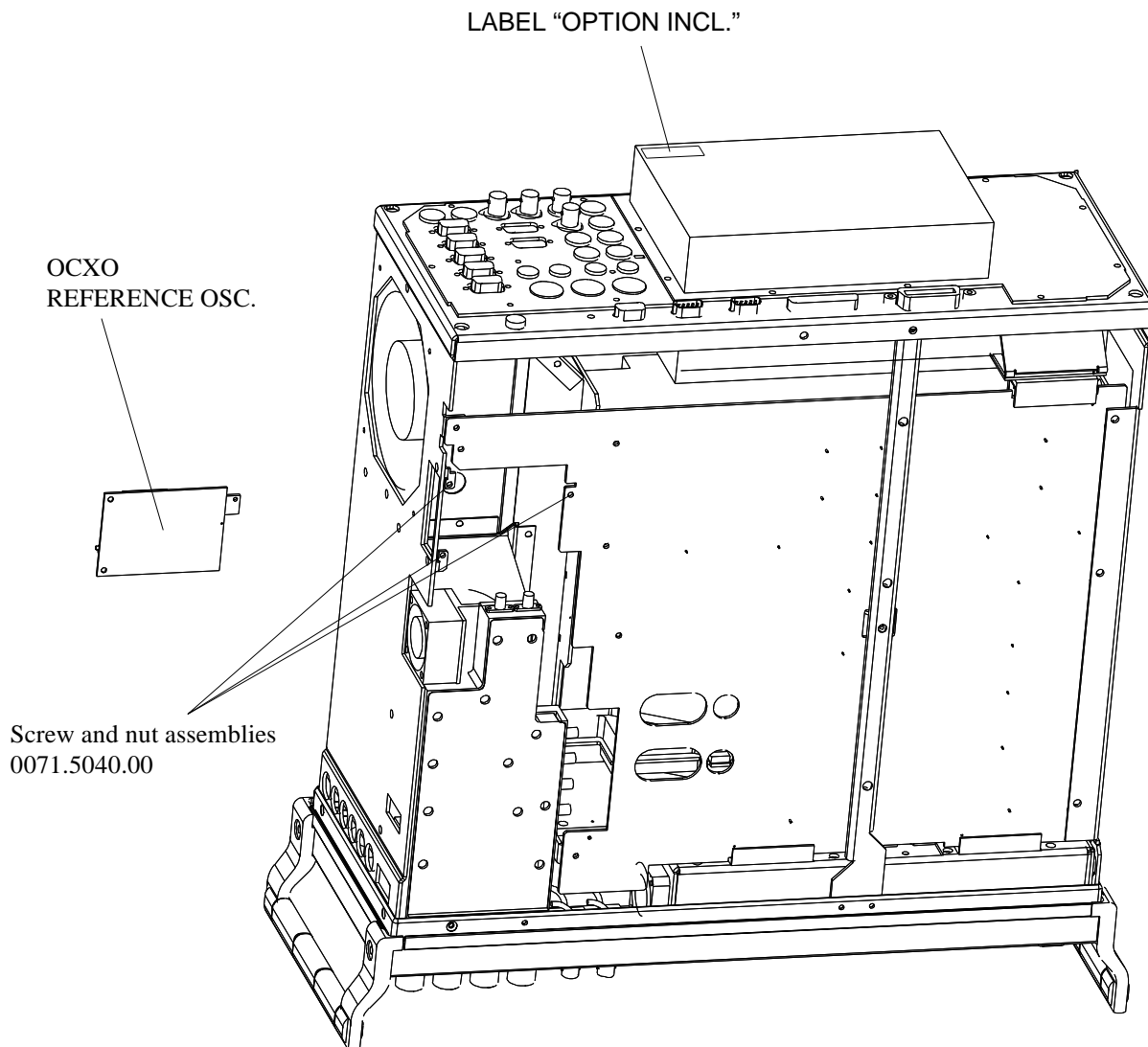


Fig. 2

3 Assembling Unit

Affixing Option Label

- Affix OPTION INCL. label to power supply unit (Fig. 2).

Putting Casing Back

- Fit casing and cabinet feet in the reverse order given under 1.2 / 1.3 (Fig. 1).

4 Functional Test of Option CMU-B11

- Connect unit to AC supply and switch on.

Test of Option Detection

- Press SETUP hardkey SYSTEM panel.
- Press OPTIONS softkey located on the row of keys at bottom of display.
- --> Check whether option CMU-B11 is indicated and activated.

Test of Frequency Accuracy

Preparation:

The measurement can be carried out at the connector REFOUT1 (rear of CMU) at 10 MHz or at the connector RF3OUT (front panel) at 1GHz with a frequency counter.

- Set the generator to 1 GHz and 13 dBm with no modulation for measurement at connector RF3OUT in the RF menu.

For this setting, CMU must be switched to its internal reference source.

- This is to be selected in the *Sync.* menu depending on the application.

Note: For fast setting, the measurement at 1 GHz can be made with reduced resolution (1 Hz).

Measurement:

(Carry out the following adjustment only if required)

- Adjust reading on frequency counter to:
10.000 000 00 MHz $-0.1/+0.05$ Hz (at REFOUT1) or
1.000 000 000 GHz -10 Hz/ $+5$ Hz (at RF3OUT) with the aid of potentiometer R5 on module OCXO REFERENCE OSC. (a tolerance of -2 to -5 Hz is required due to ageing).

Note: The CMU must be on for at least 5 minutes for the OCXO to warm up.

Installation of Option CMU-B12 OCXO REF.OSC. (1100.5100.02)

Contents

1 Preparation	2
2 Installation of Option.....	3
3 Assembling Unit	4
4 Functional Test of Option CMU-B11	5

This option may also be installed at the customer's

1 Preparation

- 1.1 Switch off unit and unplug power cable.
- 1.2 Screw off cabinet feet (four cross-recessed screws, size 2).
- 1.3 Place unit on handles at the front, push casing upwards and remove (Fig. 1).

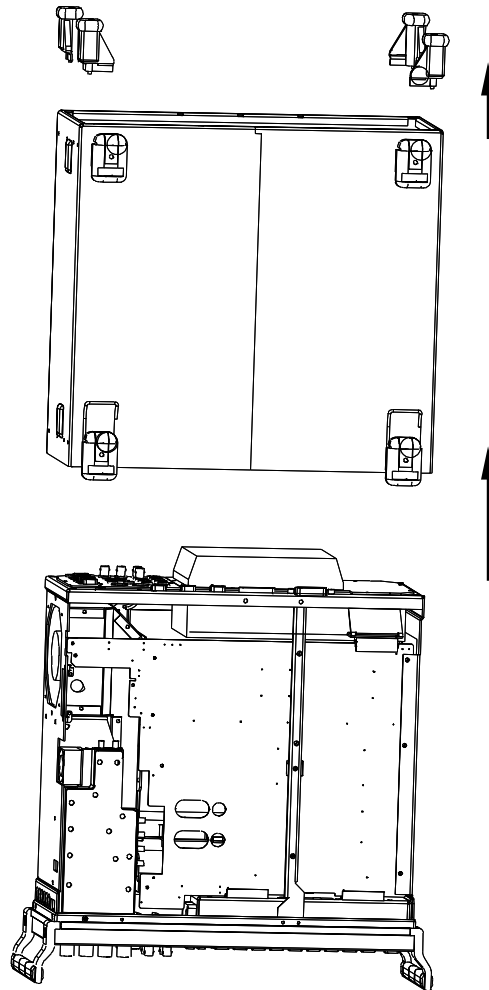


Fig. 1

2 Installation of Option

- 2.1 Insert OCXO REFERENCE OSC. into unit from the side until it plugs into connector X212 on motherboard 1.
- 2.2 Fit OCXO REFERENCE OSC. using the three supplied screw and washer assemblies (VS 0071.5040.00, see Fig. 2).

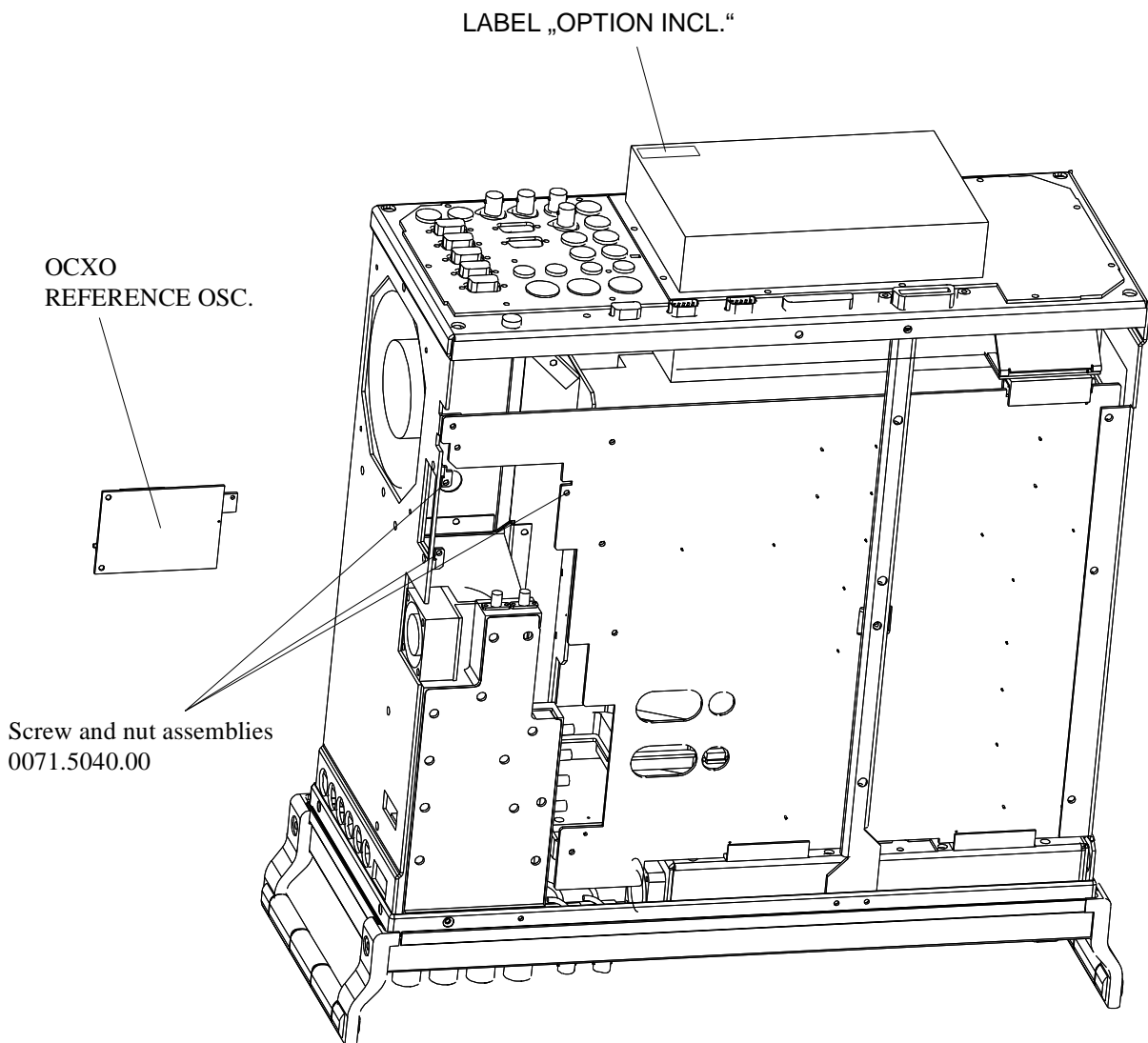


Fig. 1

3 Assembling Unit

Affixing Option Label

- Affix OPTION INCL. label to power supply unit (Fig. 2).

Putting Casing Back

- Fit casing and cabinet feet in the reverse order given under 1.2 / 1.3 (Fig. 1).

4 Functional Test of Option CMU-B12

- Connect Unit to AC Supply and switch on.

Test of Option Detection

- Press *SETUP* hardkey SYSTEM panel.
- Press *OPTIONS* softkey located on the row of keys at bottom of display.
--> Check whether option CMU-B12 is indicated and activated.

Test of Frequency Accuracy

Preparation:

The measurement can be carried out the connector REFOUT1 (rear of CMU) at 10 MHz or at the connector RF3OUT (front panel) at 1GHz with a frequency counter

- Set the generator to 1 GHz and 13 dBm with no modulation for measurement at connector RF3 OUT in the RF menu.

For this setting, CMU must be switched to its internal reference source. This is to be selected in the *Sync.* menu depending on the application.

Note: For fast setting, the measurement at 1GHz can be made with reduced resolution (1Hz)

Measurement:

(Carry out the following adjustment only if required)

- Adjust reading on frequency counter to:
10.000 000 00 MHz $-0.1/+0.05$ Hz (at REFOUT1) or
1.000 000 000 GHz -10 Hz/ $+5$ Hz (at RF3OUT)
with the aid of potentiometer R5 on module OCXO REFERENCE OSC. (a tolerance of -2 to -5 Hz is required due to ageing).

Note: CMU must be on for at least 10 minutes for the OCXO to warm up.
During the adjustment the CMU must be operated in a horizontal position.

Installation of Option CMU-B21 UNIV. SIGN. UNIT (1100.5200.02)

Contents

1 Preparation	2
2 Installation of Option.....	4
3 Assembling Unit	5
4 Functional Test of Option CMU-B21	6

This option may also be installed at the customer's.

1 Preparation

- 1.1 Switch off unit and unplug power cable.
- 1.2 Screw off cabinet feet (four cross-recessed screws, size 2).
- 1.3 Place unit on handles at the front, push casing upwards and remove (Fig. 1).

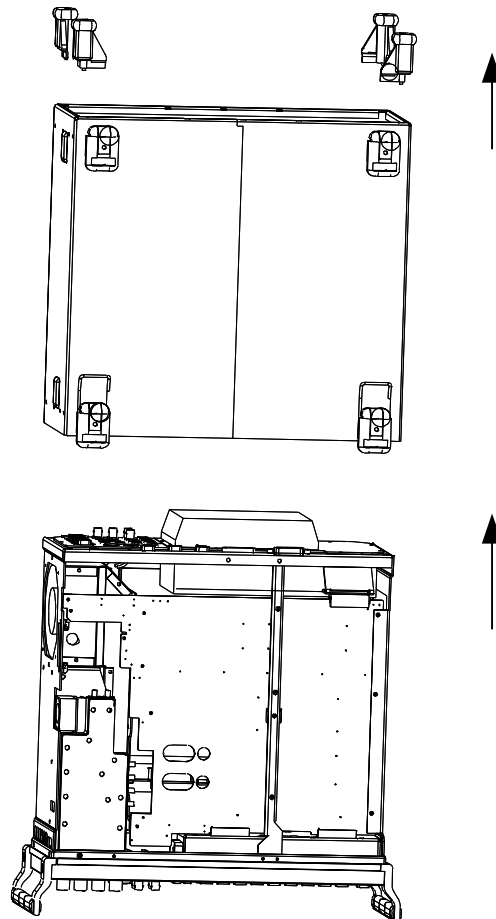


Fig. 1

- 1.4 After undoing two countersunk head screws at the top left frame, raise cover slightly, push somewhat to the right and take it off towards the top.

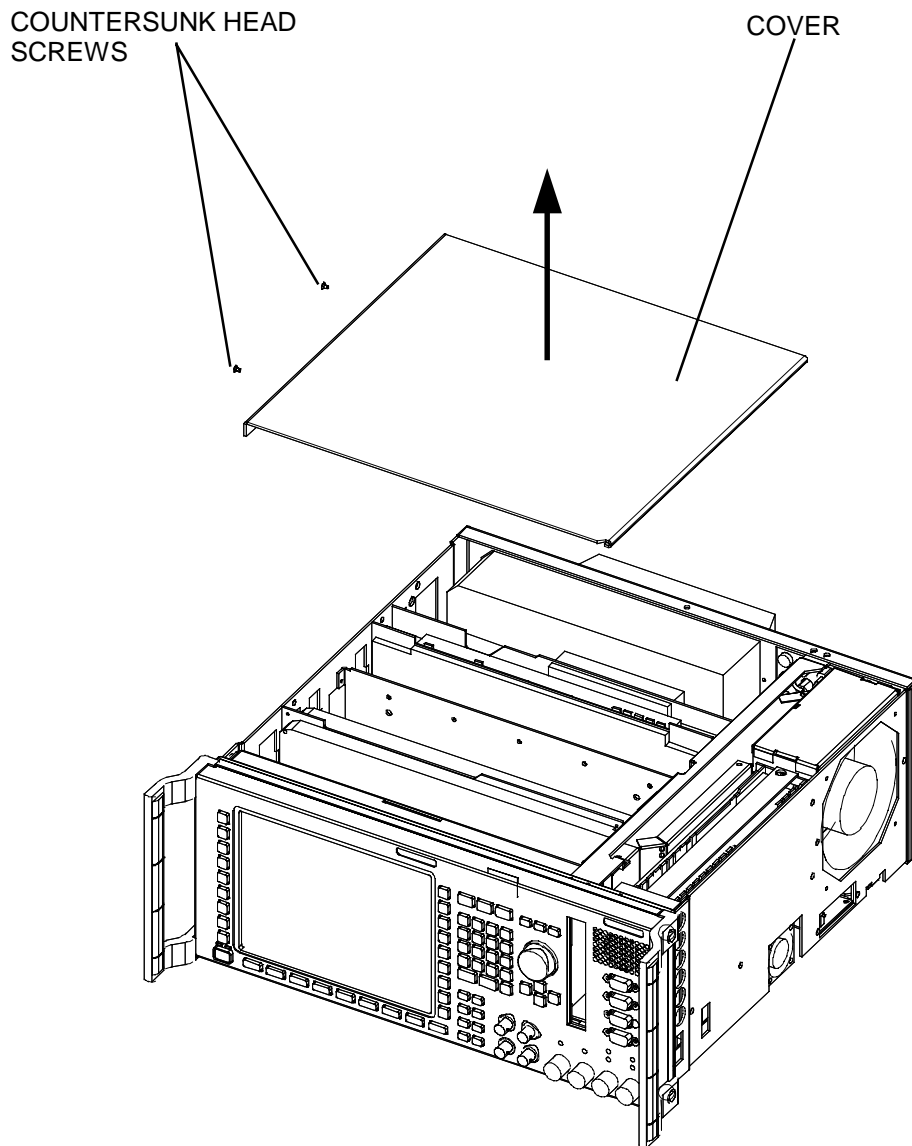


Fig. 2

2 Installation of Option

- 2.1 Remove cover on the vent in the intermediate panel of the 7th slot as seen from the front (Fig. 3).
- 2.2 Insert CMU-B21 into 7th slot as seen from the front.

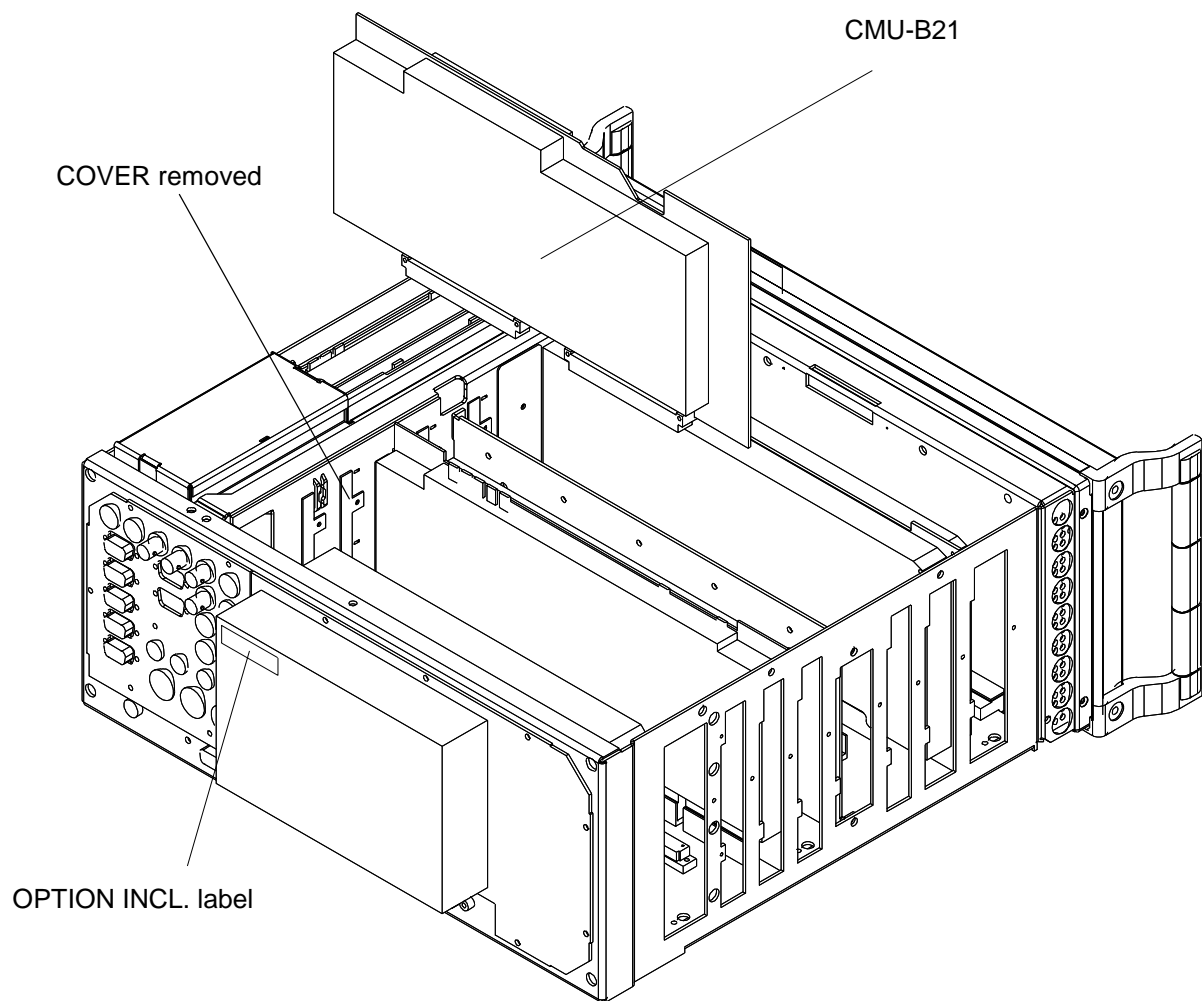


Fig. 3

3 Assembling Unit

Affixing Option Label

- Affix OPTION INCL. label on power supply unit (Fig. 2).

Putting Cover Back

- Fit cover and cabinet feet back on in the reverse order to that described under 1.2/1.3 (Fig. 1).

4 Functional Test of Option CMU-B21

- Connect unit to AC supply and switch on

Automatic Module Data Adjustment

- During startup observe the display.
- When three BEEPs can be heard, press the *MENU SELECT* key.

The *VersionManager* is started (see also chapter 4, *Firmware update*). The display includes the menu item *FIRMWARE UPDATE AFTER BOARD CHANGE*.

- Press the softkey to the left of the above mentioned menu item.

The automatic module data adjustment is performed under software control, firmware updates for microprocessors and programmable devices being performed as well. This may take a few minutes.

After the adjustment has been terminated, the operating software starts automatically and the CMU is ready for use and complies with the specifications.

Test of Option Detection

- Press *SETUP* hardkey in *SYSTEM* panel.
- Press *OPTIONS* softkey located on the row of keys at bottom of display.
 - > Check whether CMU-B21 is active.

Test of Function

- Press *MENU SELCT* hardkey on *FUNCTION* panel.
- Press *GSM 900* softkey on the row of keys at bottom of display.
 - > Check whether the *SIGNAL ON* indication in the top right display (blue status field) is highlighted in green.

Installation of Option CMU-B41 AUDIO-GEN.+ANA. (1100.5300.02)

Contents

1 Preparation	2
2 Installation of the Option	4
2.1 Fitting.....	4
2.1 Cabling	5
3 Assembly of Unit	6
3.1 Affixing Option Label	6
3.2 Fitting Enclosure	6
4 Functional Test of Option CMU-B41	7
4.1 Automatic Module Data Adjustment.....	7
4.2 Checking Option Detection	7
4.3 Checking the Function.....	7

This option may also be installed at the customer's.

1 Preparation

- 1.1 Switch off unit and unplug power cable.
- 1.2 Screw off cabinet feet (four crosss-recessed screws, size 2).
- 1.3 Place unit on handles at the front, push casing upwards and remove (Fig. 1).

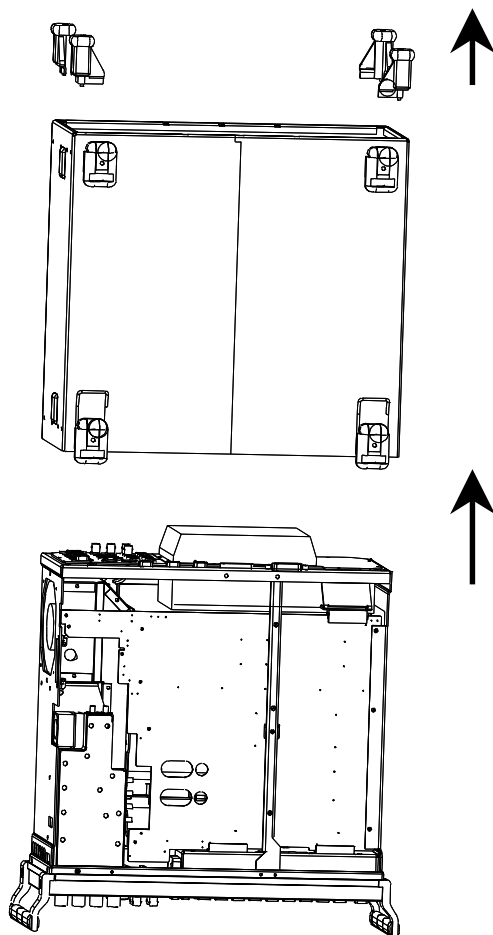


Fig.1

- After undoing two countersunk head screws at the top left frame, raise cover slightly, push somewhat to the right and take it off towards the top

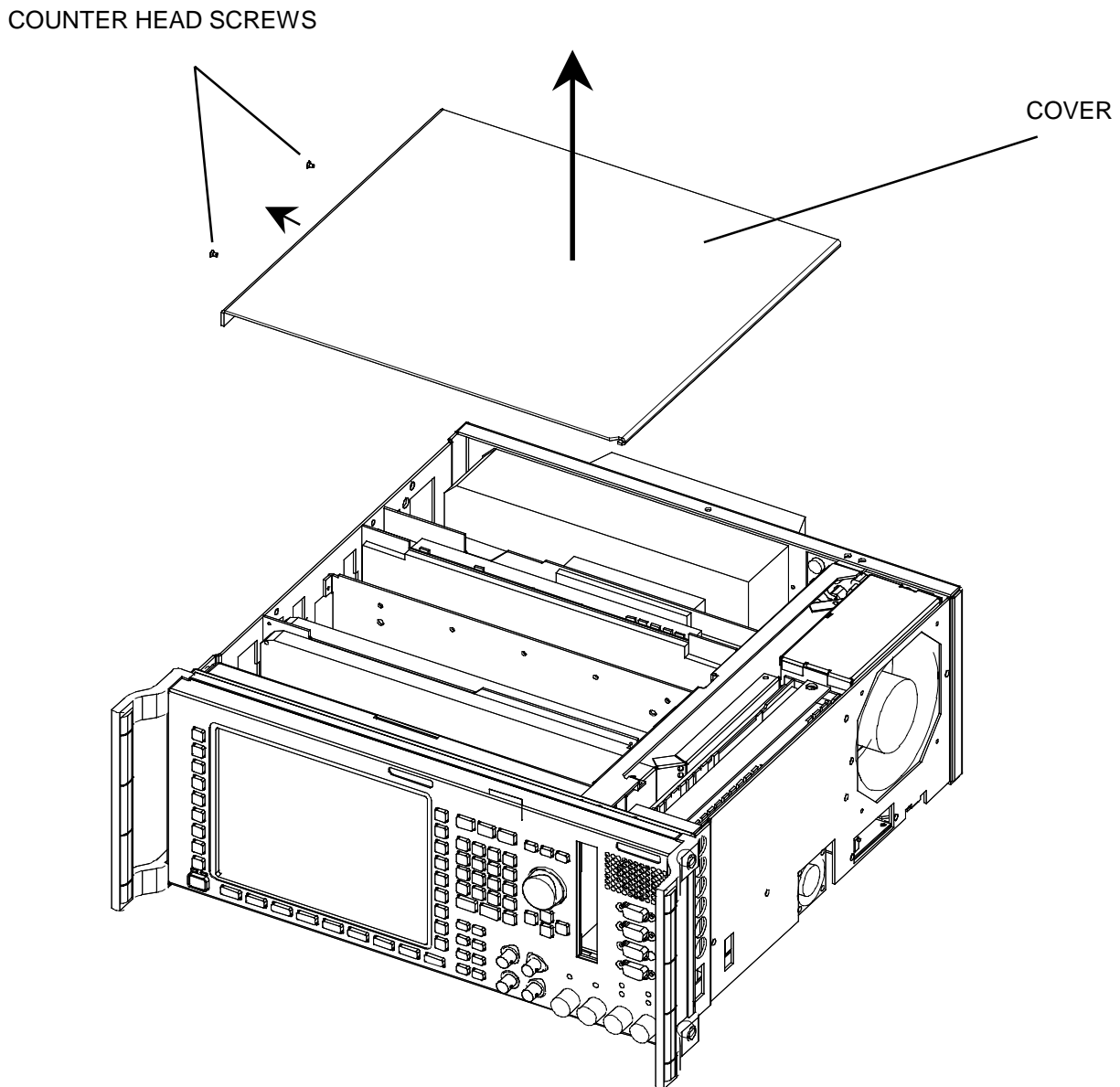


Fig. 2

2 Installation of the Option

2.1 Fitting

- Remove clamp. Take off vent cover between air duct and cage since it is no longer needed (Fig. 3).
- Plug module CMU-B41 into free slot at the right-hand side of unit.
- Mount clamp again (Fig. 3).

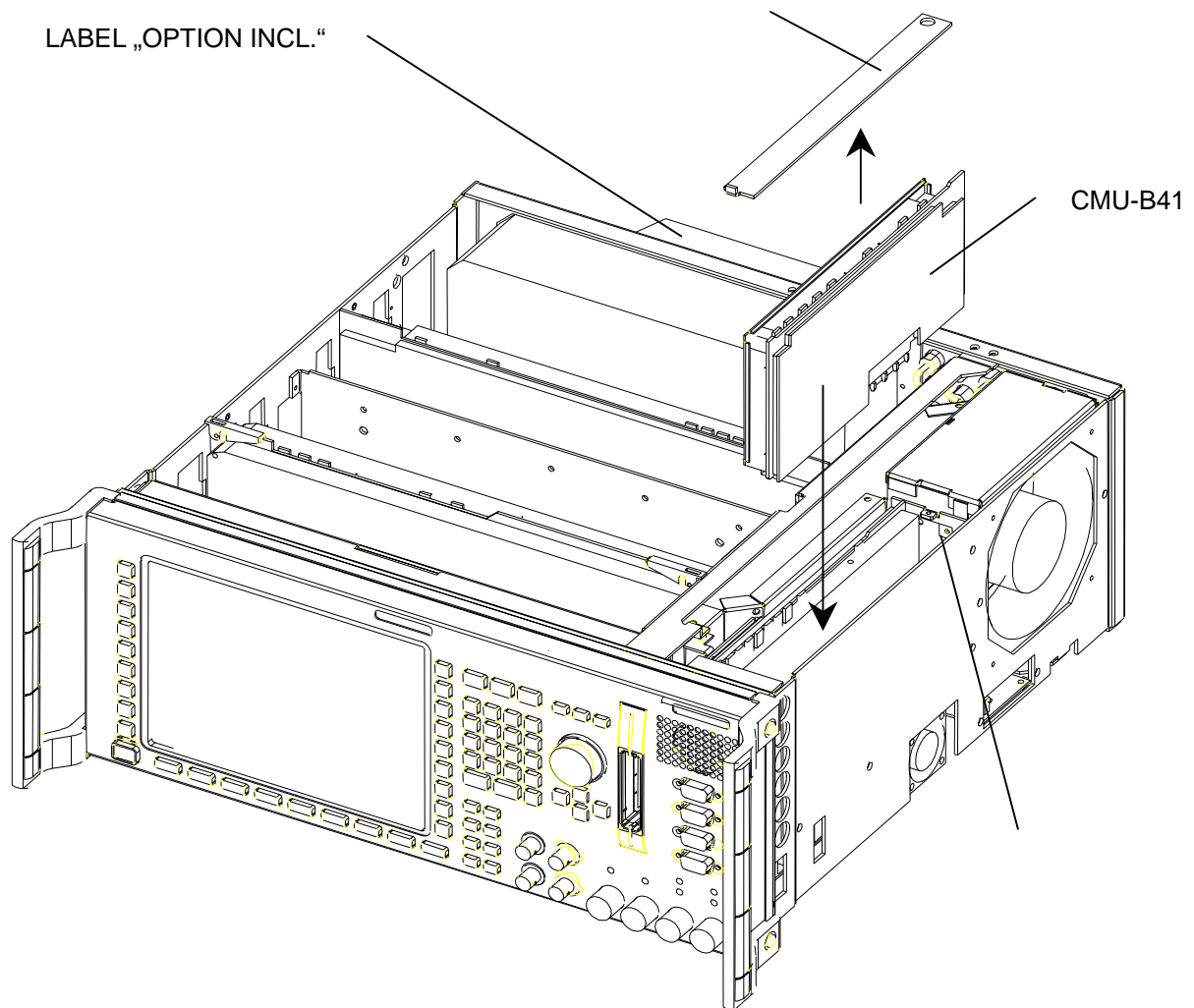


Fig. 3

2.1 Cabling

The option has the electrical designation A 11.

When installing the option CMU-B41, observe that the designations of built-in cables for batches 831593..., 829740..., 830377..., and 828942... are not complete or incorrect and so the cables have to be identified according to the following list.

Source		Incomplete cable designation	Connecting end
Loudspeaker	cable	A11-X	A11/X112 *
AF IN	cable	W 6 A11-X114	A11/X113 *
AUX 1	cable	W 8	A11/X114 *
AF OUT	cable	W 5 A11-X113	A11/X115 *
AUX 2	cable	W 7	A11/X116 *

➤ Connect the supplied RF cable as follows:

RF cable W 40	1st end	to A11/X119 *
	2nd end	to A10/X105 *
RF cable W 34	1st end	to A11/X117 *
	2nd end	to A7/X704 *

* The connector designation X is inscribed on the board, the cover of the audio board and the service label.

3 Assembly of Unit

3.1 Affixing Option Label

- Stick "OPTION INCL." label to the power supply (Fig.3).

3.2 Fitting Enclosure

- Mount enclosure and rear feet in the reverse order to that described under points 1.2/1.3 (Fig. 1).

4 Functional Test of Option CMU-B41

- Connect unit to AC supply and switch on.

4.1 Automatic Module Data Adjustment

- During startup observe the display.
- When three BEEPs can be heard, press the *MENU SELECT* key.

The VersionManager is started (see also chapter 4, *Firmware update*). The display includes the menu item *FIRMWARE UPDATE AFTER BOARD CHANGE*.

- Press the softkey to the left of the above mentioned menu item.

The automatic module data adjustment is performed under software control, firmware updates for microprocessors and programmable devices being performed as well. This may take a few minutes.

After the adjustment has been terminated, the operating software starts automatically and the CMU is ready for use and complies with the specifications.

4.2 Checking Option Detection

- Press SETUP hardkey in the SYSTEM field.
- Press OPTIONS softkey on the row below the display.
- Check if CMU-B41 is displayed and active.

4.3 Checking the Function

- Connect AF OUT socket to AF IN socket on CMU with a BNC cable.
- Press MENU SELECT hardkey in the FUNCTION field. Select Audio in the function group with the rotary knob on the display and confirm with ENTER.
- Switch generator to ON in the Audio Overview menu, set 1000 mV level and 1 kHz frequency.
- Set analyzer in the Audio Overview menu to RUN. The measured voltage should be 1000 mV \pm 25 mV.

Installation of Option CMU-B52 SPEECH CODEC (1100.5400.02)

Contents

1 Preparation	2
2 Installation of Option	4
3 Assembling Unit.....	6
3.1 Affixing Option Label	6
3.3 Putting Cover Back	6
4 Functional Test of Option CMU-B52.....	7
4.1 Automatic Module Data Adjustment.....	7
4.2 Test of Option Detect.....	7

This option may also be installed at the customer's.

To install this option, option CMU-B21 must be built in before (1100.5200.02).

1 Preparation

- 1.1 Switch off unit and unplug power cable.
- 1.2 Screw off cabinet feet (four cross-recessed screws, size 2).
- 1.3 Place unit on handles at the front, push casing upwards and remove (Fig. 1).

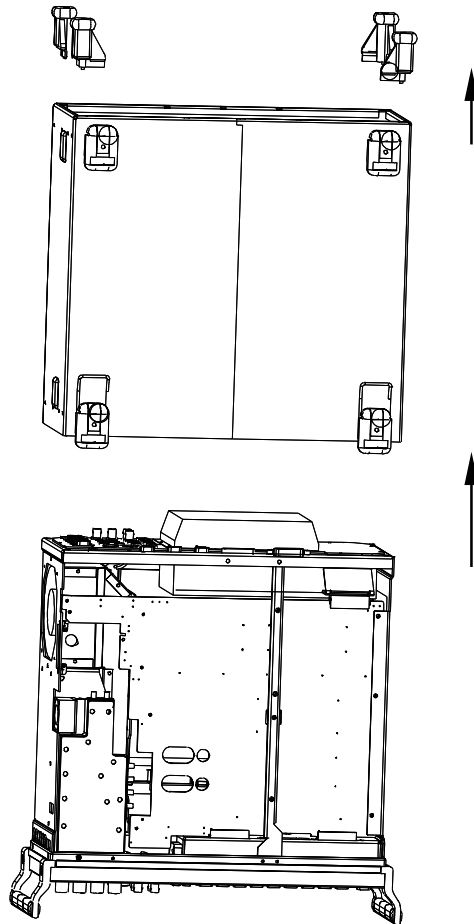


Fig. 1

- After undoing two countersunk head screws at the top left frame, raise cover slightly, push somewhat to the right and take it off towards the top.

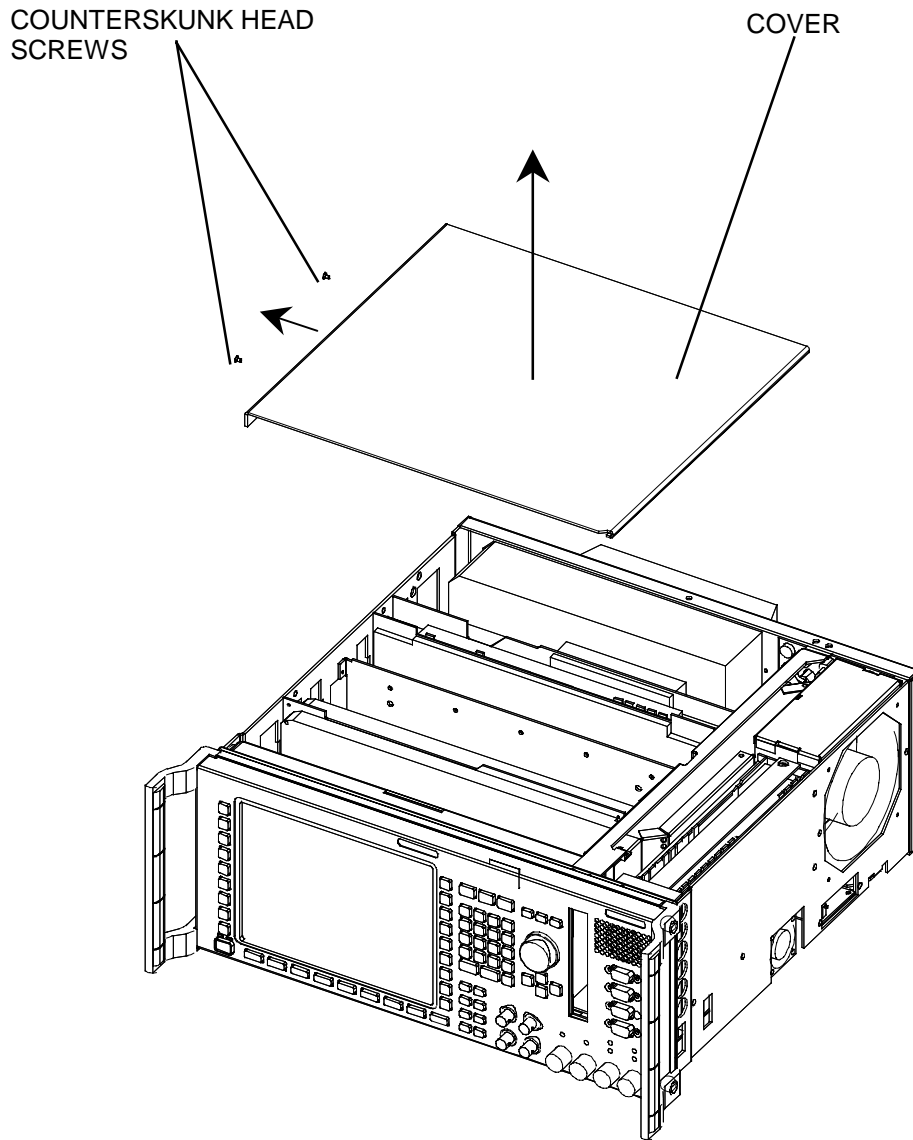


Fig. 2

2 Installation of Option

- Remove module CMU-B21 from slot seven as viewed from the front and undo screws on shielding enclosure (Fig. 3)
- Plug option CMU-B52 into slots on CMU-B21 A420 and A470 and affix label (Fig. 4)

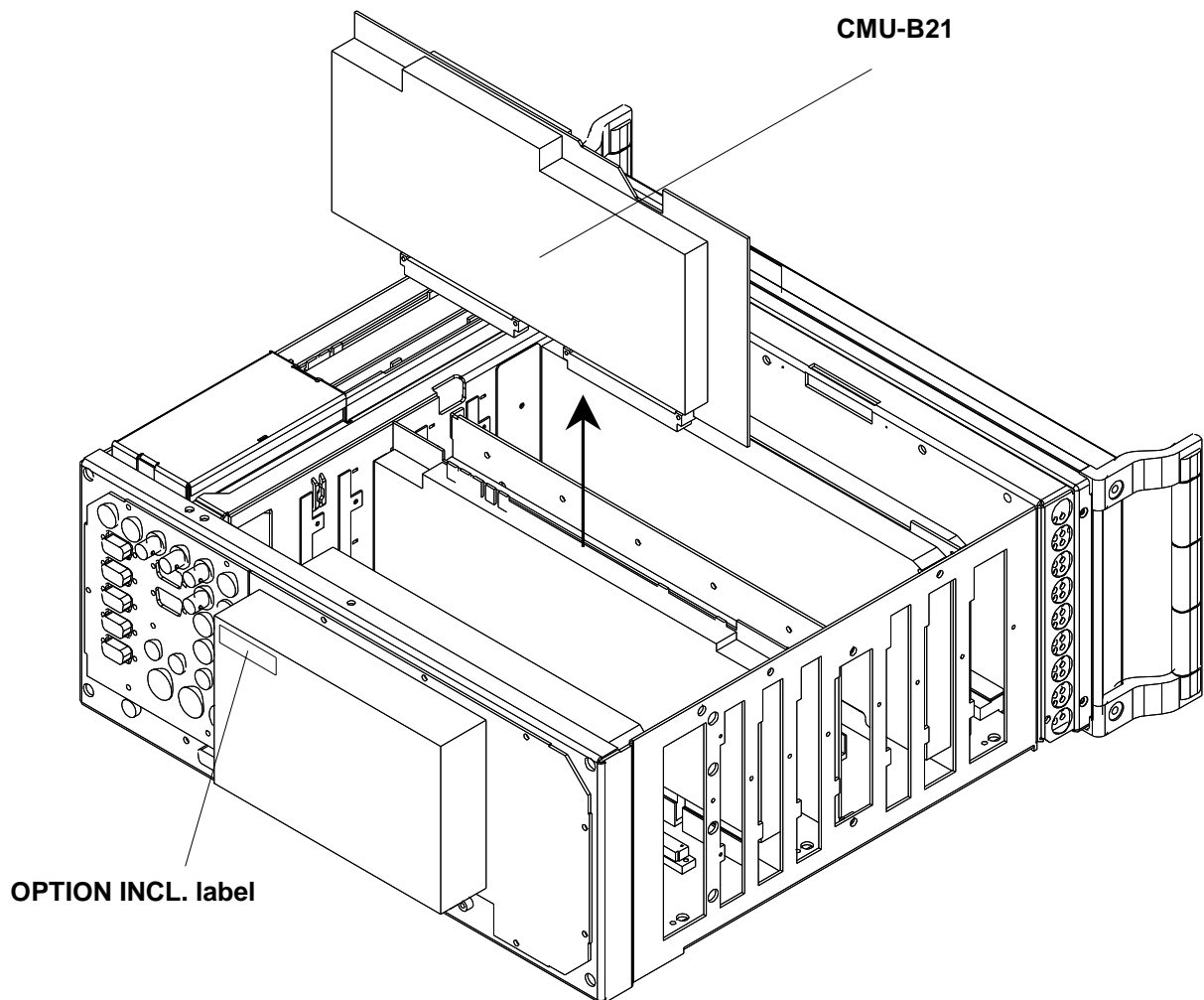


Fig. 3

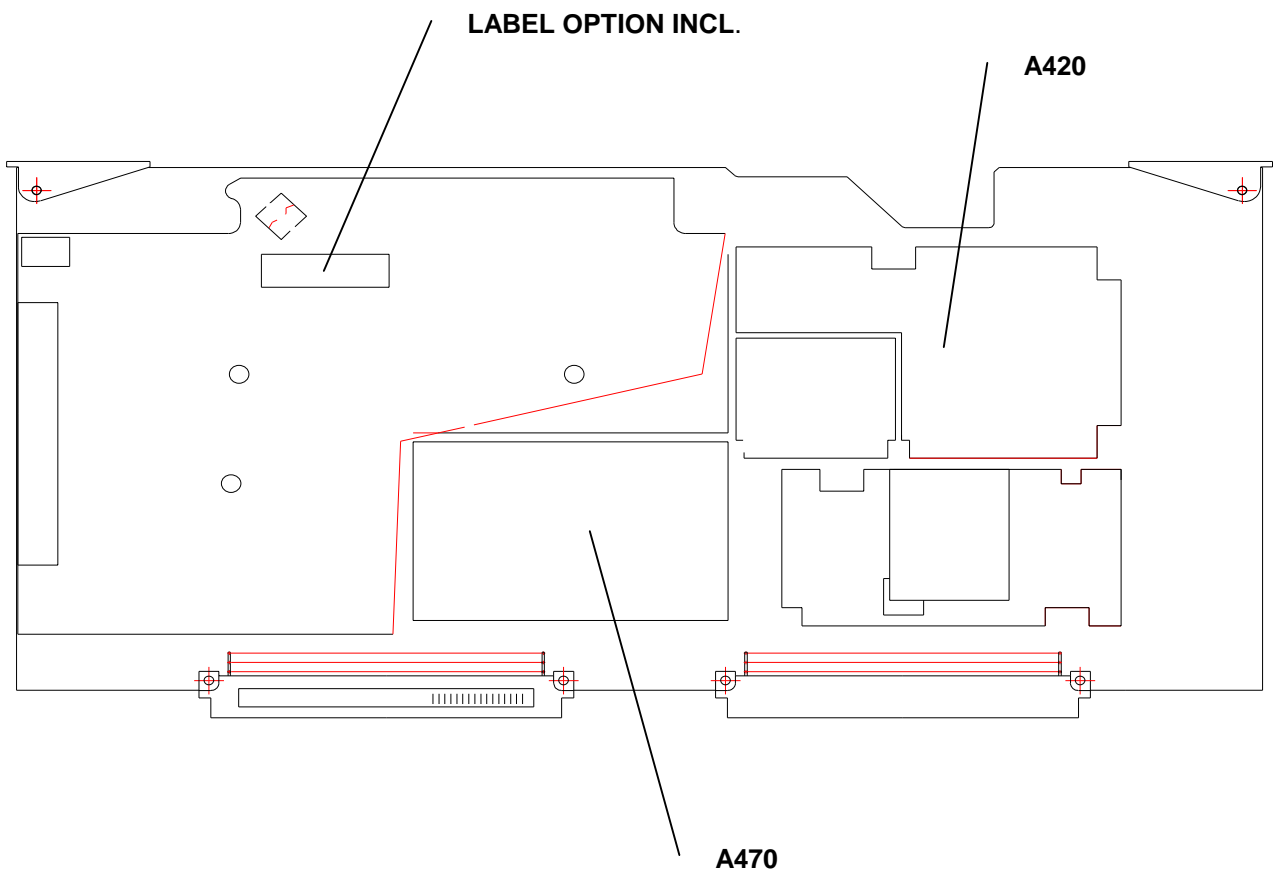


Fig. 4

3 Assembling Unit

3.1 Affixing Option Label

- Affix OPTION INCL. label on power supply unit (Fig. 3)

3.2 Assembly of Unit

- Fit enclosure to module and insert module into the unit (Fig. 3).
- Mount cover in the reverse order to that described under 1.4 (Fig. 2).

3.3 Putting Cover Back

- Fit cover and cabinet feet back on in the reverse order to that described under 1.2/1.3 (Fig. 1).

4 Functional Test of Option CMU-B52

- Connect unit to AC supply and switch on

4.1 Automatic Module Data Adjustment

- During startup observe the display.
- When three BEEPs can be heard, press the *MENU SELECT* key.

The VersionManager is started (see also chapter 4, *Firmware update*). The display includes the menu item *FIRMWARE UPDATE AFTER BOARD CHANGE*.

- Press the softkey to the left of the above mentioned menu item.

The automatic module data adjustment is performed under software control, firmware updates for microprocessors and programmable devices being performed as well. This may take a few minutes.

After the adjustment has been terminated, the operating software starts automatically and the CMU is ready for use and complies with the specifications.

4.2 Test of Option Detect

- Press SETUP hardkey in SYSTEM panel
- Press OPTIONS softkey located on the row of keys at bottom of display
- --> Check whether CMU-B21 is active

Installation of Option CMU-B53 BLUETOOTH F.CMU (1100.5700.02)

Contents

1	Preparation.....	2
2	Installation of Option.....	4
3	Modification of Universal Link Handler (Fig. 4).....	5
4	Assembling the Unit	6
5	Functional Test of Option CMU-B53.....	6

This option may also be installed at the customer's.
Required hardware: CMU-B21

1 Preparation

- Switch off unit and unplug power cable.
- Screw off cabinet feet (four cross-recessed screws, size 2).
- Place unit on handles at the front, push casing upwards and remove (Fig. 1).

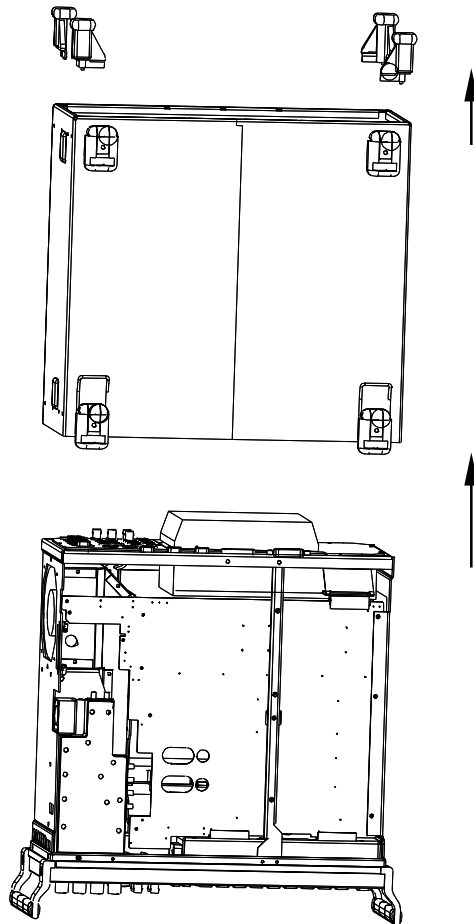


Fig. 1

- After undoing two countersunk head screws at the top left frame, raise cover slightly, push somewhat to the right and take it off towards the top.

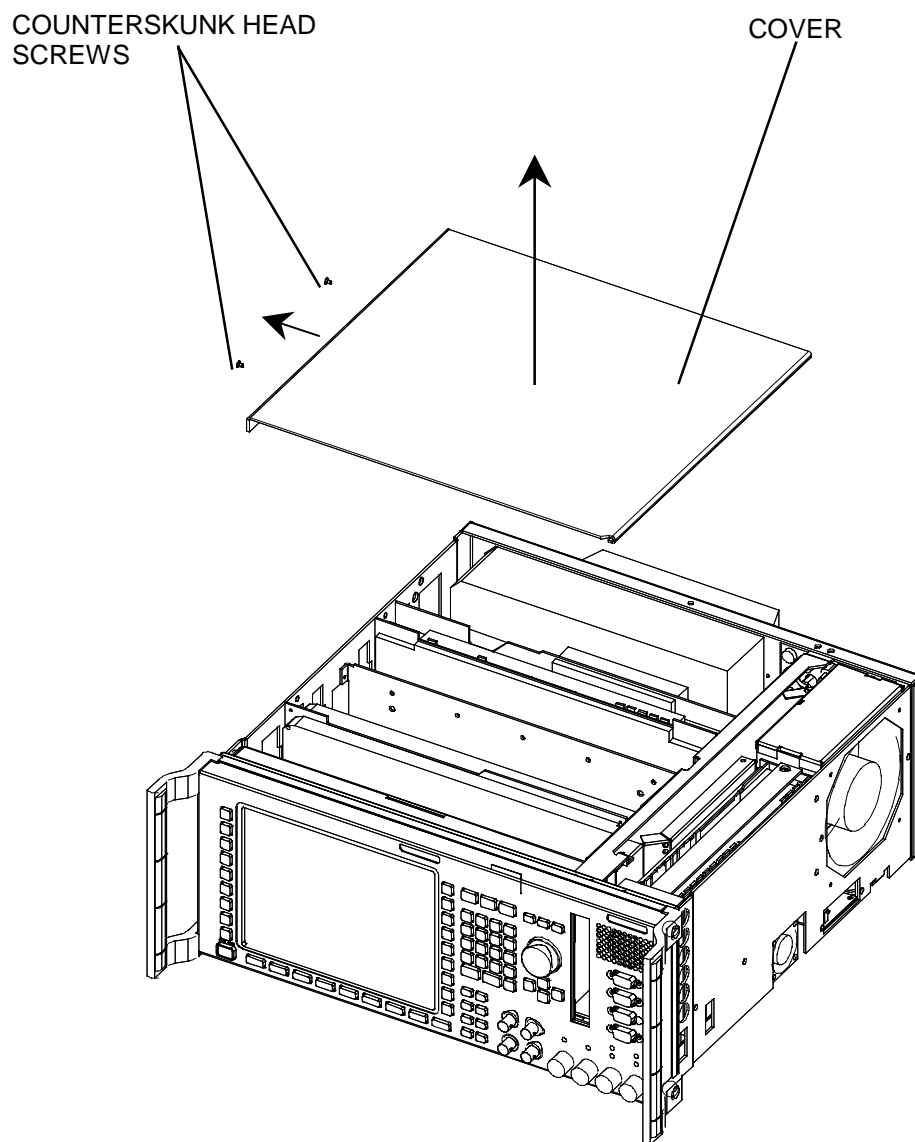


Fig.2

2 Installation of Option

- If the module in the second slot from the instrument front has the order no. 1100.1404.02 or 1100.1733.02, then it is not possible to fit option CMU-B53. Use modification kit CMU-U53 instead.
- Remove module CMU-B21 in the seventh slot seen from the front (Fig. 3).

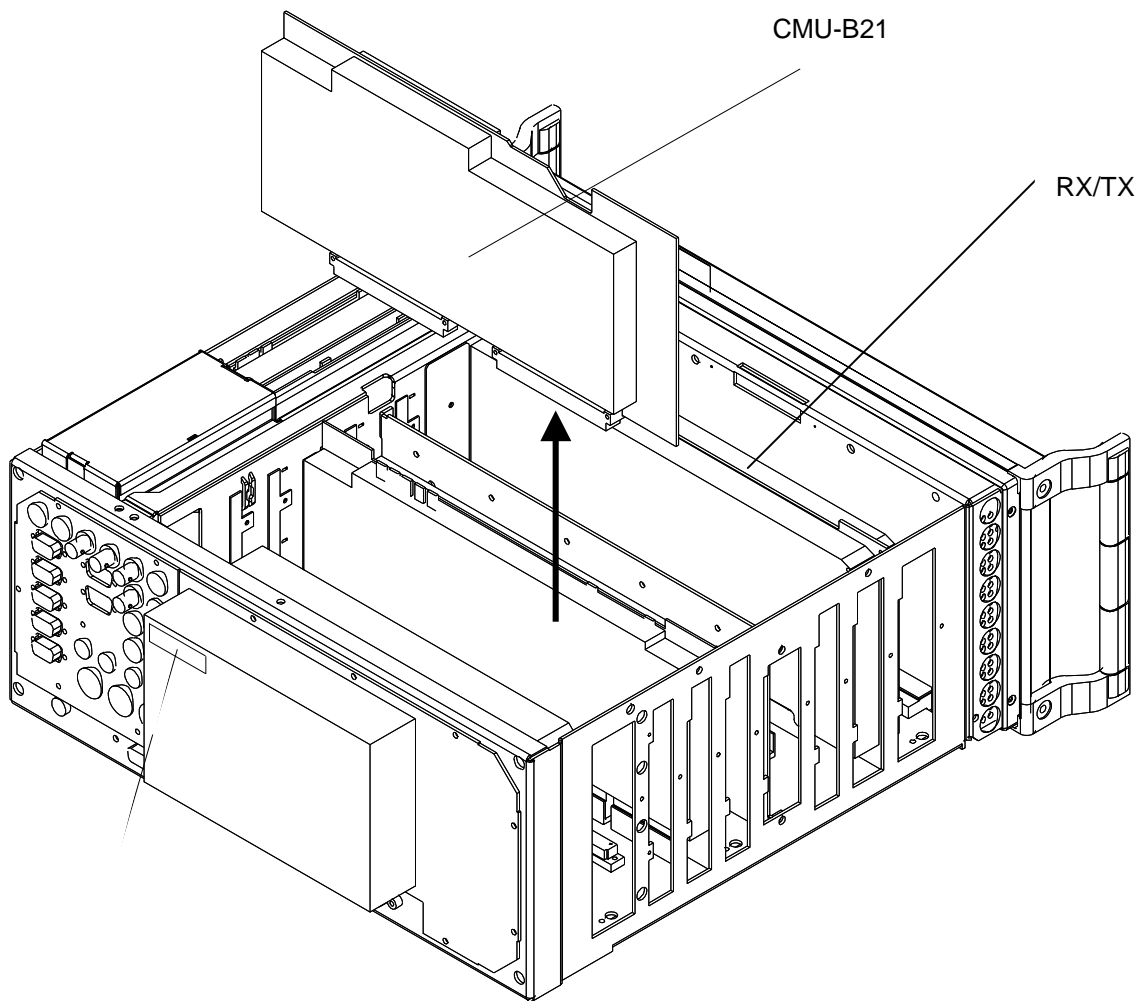


Fig. 3

3 Modification of Universal Link Handler (Fig. 4)

- Remove the two screen covers after undoing the screws.

If the TAZ (update status) of the Link Handler base plate (1097.3570.02) is lower than -03.06-, refer to Service Info No. 1304. The update status (TAZ) can be seen on the barcode label stuck to the solder side of the board inside the screening strip.

If the update status (TAZ) of the I/Q Out module on slot A430 (1100.2000.02) is lower than -03.08-, refer to Service Info No. 1305. The update status (TAZ) is visible when the covers are removed.

- If the optional Speech Codec CMU-B52 (1100.5400.02) is fitted, remove the module in slot A420 (it is no longer required).
- Insert Bluetooth module 1135.6502.02.
- Stick the OPTION INCL. (1100.5797.00) label to the cover at the solder side.
- Screw back the two screen covers and insert Link Handler into the unit.

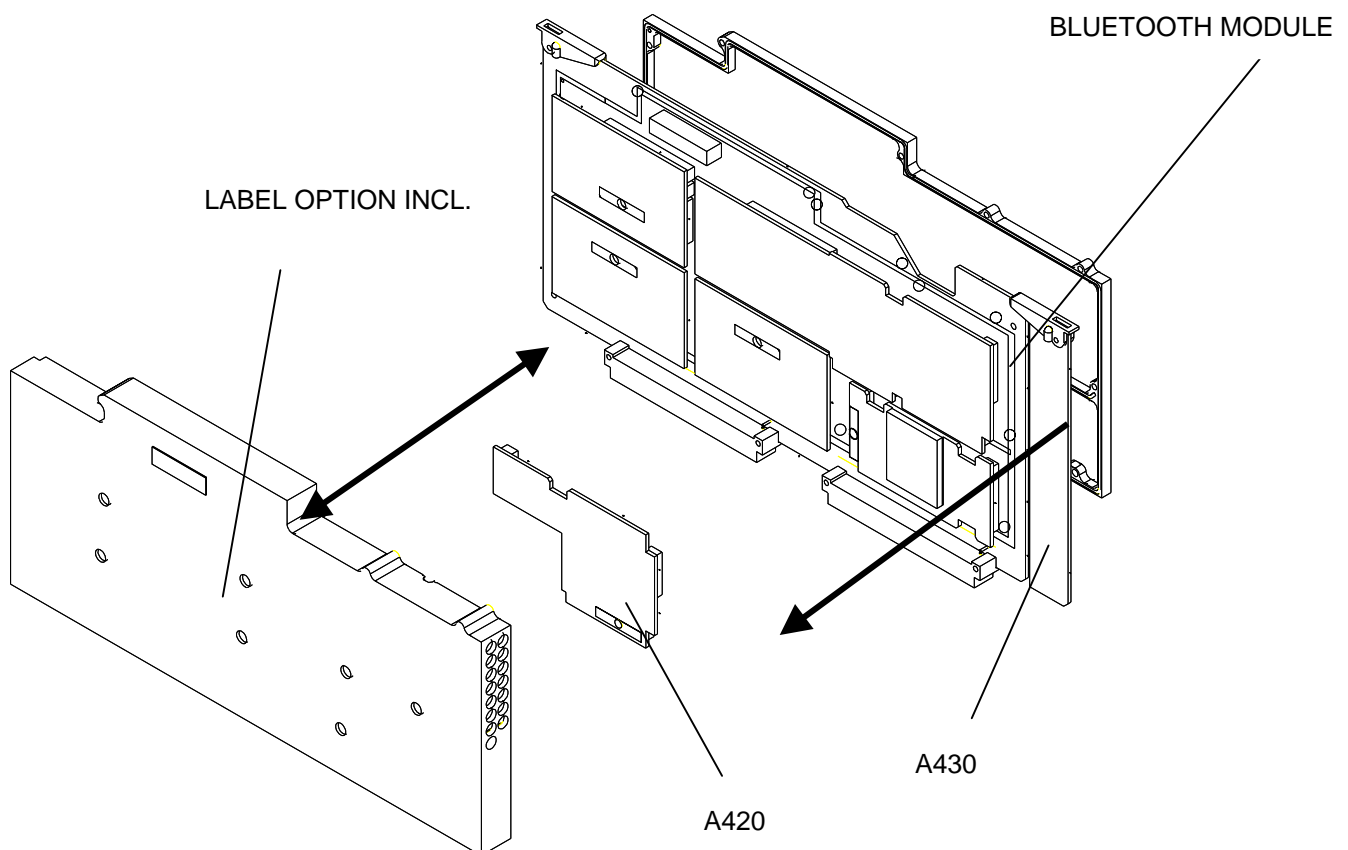


Fig. 4

4 Assembling the Unit

- Fit cover and cabinet feet back on in the reverse order to that described under 1.2/1.3/1.4 (Fig. 1 + 2).

5 Functional Test of Option CMU-B53

- Connect unit to AC supply and switch on.

Automatic module data adjustment

- During startup observe the display.
- When three BEEPs can be heard, press the *MENU SELECT* key.

The VersionManager is started (see also chapter 4 in CMU 200 manual, *Firmware update*). The display includes the menu item *FIRMWARE UPDATE AFTER BOARD CHANGE*.

- Press the softkey to the left of the above mentioned menu item.

The automatic module data adjustment is performed under software control, firmware updates for microprocessors and programmable devices being performed as well. This may take a few minutes.

After the adjustment has been terminated, the operating software starts automatically and the CMU is ready for use and complies with the specifications.

Test of Option Detection

Software version ≥ 2.60 must be provided in the instrument.

- Press SETUP hardkey in SYSTEM panel.
- Press OPTIONS softkey located on the row of keys at bottom of display.
- Check whether CMU-B21 and CMU-B53 is active.
- If required install software option CMU-K53 and activate key code.

See Chapter 1 in CMU-K53 manual.

Functional Test

- Calibrate the FM path in the Maintenance menu.
- Perform Bluetooth function test with Bluetooth DUT.
- Connect a Bluetooth module to RF2 via RF cable or antenna.
- Perform inquiry procedure.
- Set up a connection to the Bluetooth DUT.
- Check results in *Power* and *Modulation* menu.

Modification Kit CMU-U53 BLUETOOTH F.CMU (1100.7302.02)

Contents

1	Preparation.....	2
2	Board Exchange.....	4
3	Modification of Universal Link Handler.....	5
4	Assembling the Unit	10
5	Functional Test of Modification Kit CMU-U53	10

Required hardware: CMU-B21

1 Preparation

- Switch off unit and unplug power cable.
- Screw off cabinet feet (four cross-recessed screws, size 2).
- Place unit on handles at the front, push casing upwards and remove (Fig. 1).

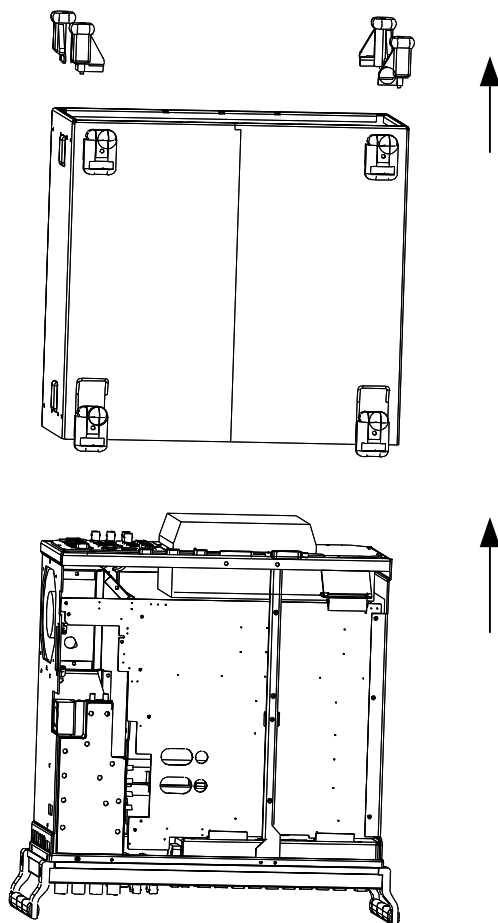


Fig. 1

- After undoing two countersunk head screws at the top left frame, raise cover slightly, push somewhat to the right and take it off towards the top.

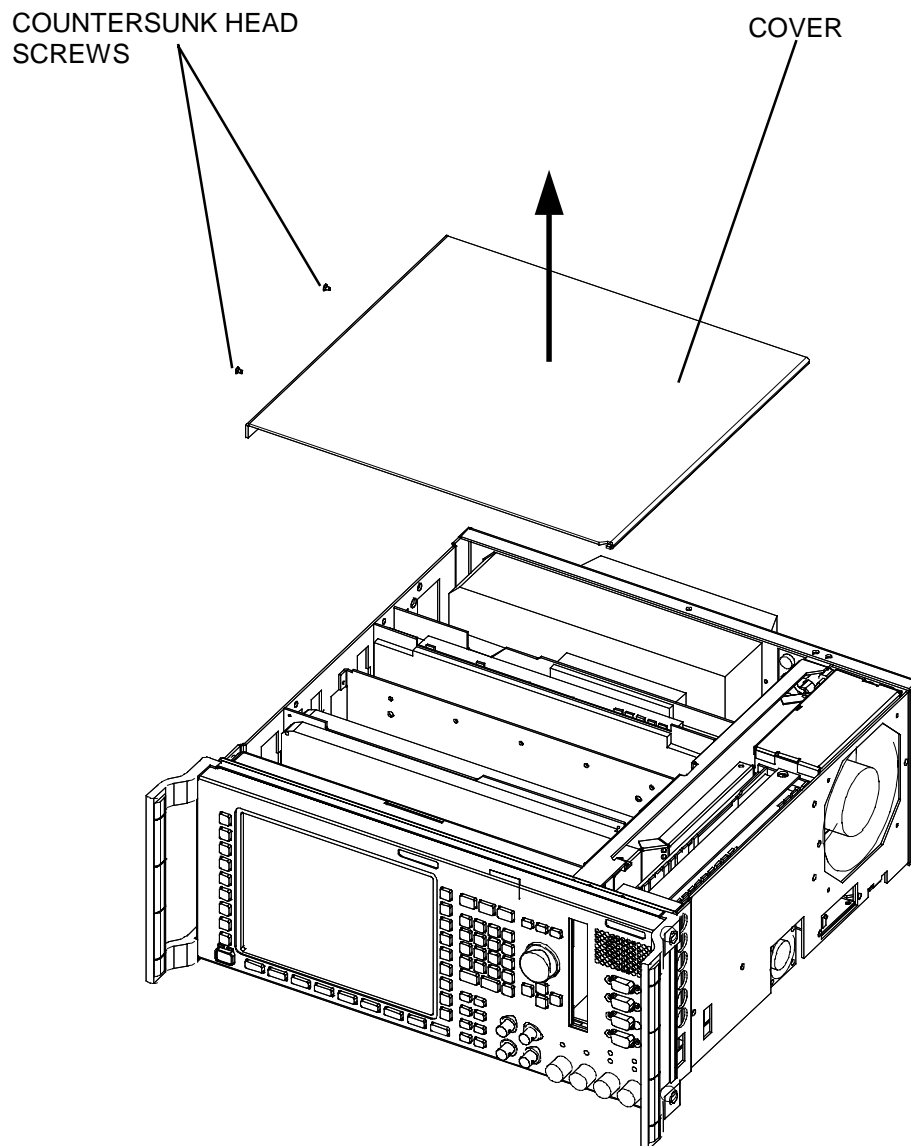


Fig. 2

2 Board Exchange

- If the module in the second slot from the instrument front has the Order No. 1100.1404.02 or 1100.1733.02, replace it by the RX/TX module included in the modification kit. Caution: cables are to be disconnected at the top and the bottom of the instrument (Fig. 3).
- Remove module CMU-B21 in the seventh slot seen from the front (Fig. 3).

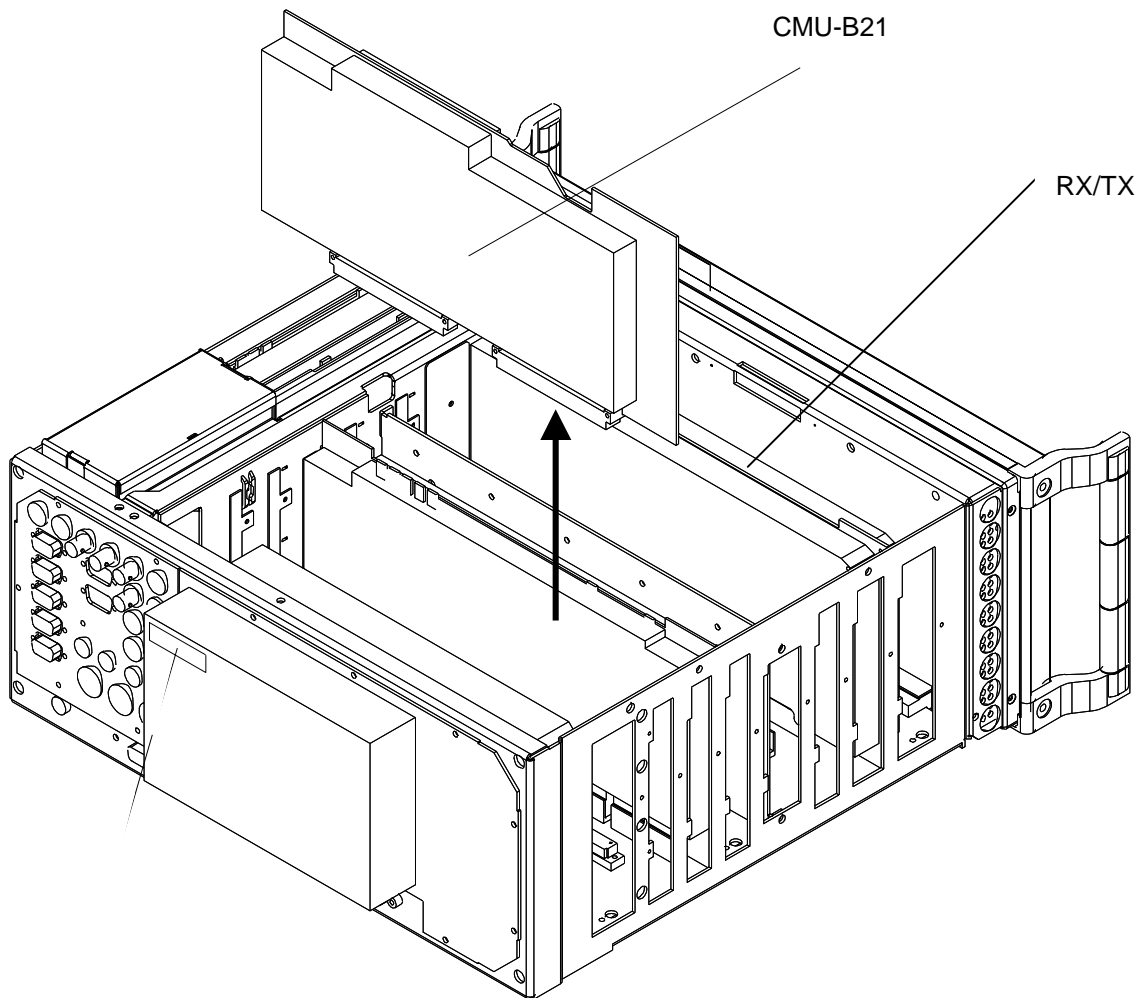


Fig. 3

3 Modification of Universal Link Handler

- Remove the two screen covers after undoing the screws (Fig. 4).
- If the TAZ (update state) of the Link Handler base plate (1097.3570.02) is lower than -03.06-, modify as shown in Fig. 5.
- The update status (TAZ) can be seen on the barcode label stuck to the solder side of the board inside the screening strip.
- If the TAZ of the Link Handler base plate in slot A430 (1097.3570.02) is lower than -03.06-, modify the top screen cover (labelled) as shown in Fig. 6.
- If the update status (TAZ) of the I/Q Out module on slot A430 (1100.2000.02) is lower than -03.08-, modify as shown in Fig. 7.
The update status (TAZ) is visible when the covers are removed.
- If the optional Speech Codec CMU-B52 (1100.5400.02) is fitted, remove the module in slot A420 (it is no longer required, Fig. 4).
- Insert Bluetooth module 1135.6502.02 (Fig. 4).
- Stick the OPTION INCL. (1100.5797.00) label to the cover at the solder side (Fig. 4).
- Screw back the two screen covers and insert Link Handler into the unit (Fig.3 and 4).

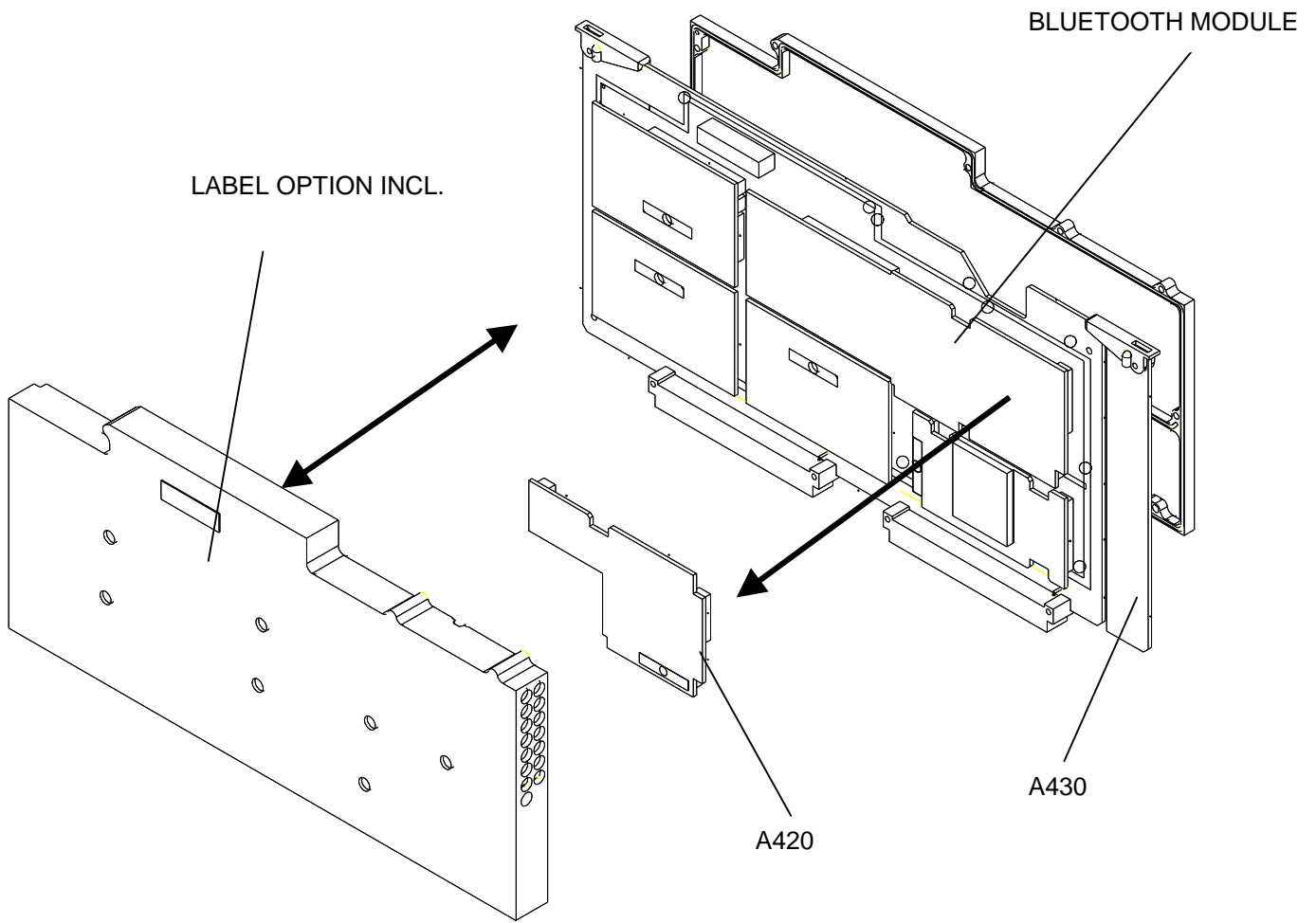
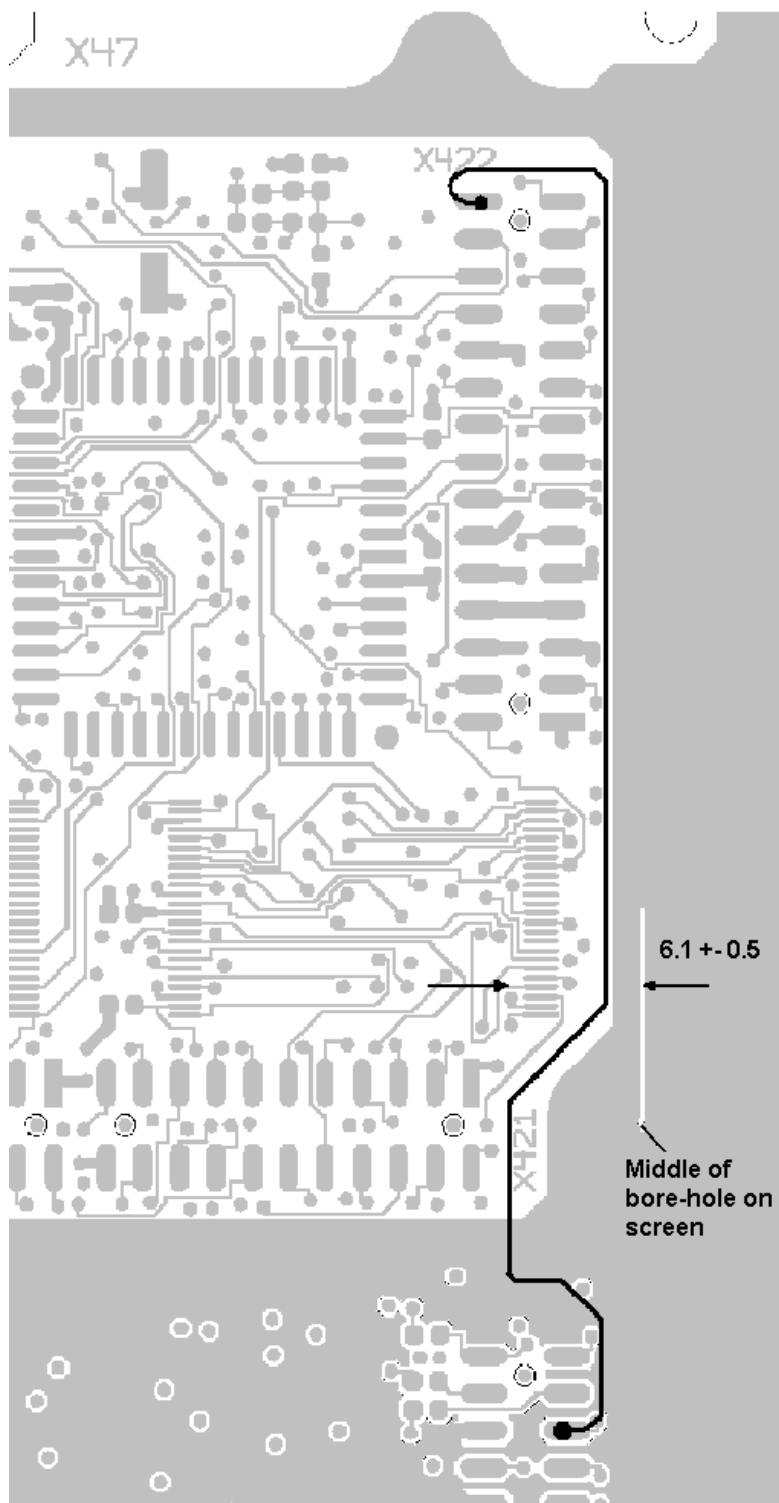


Fig. 4

Modifications on component side:



Connect pin 30 of X422 to pin 29 of X432.

Fix wires with UV glue.

Fig. 5

Modification of screen cover

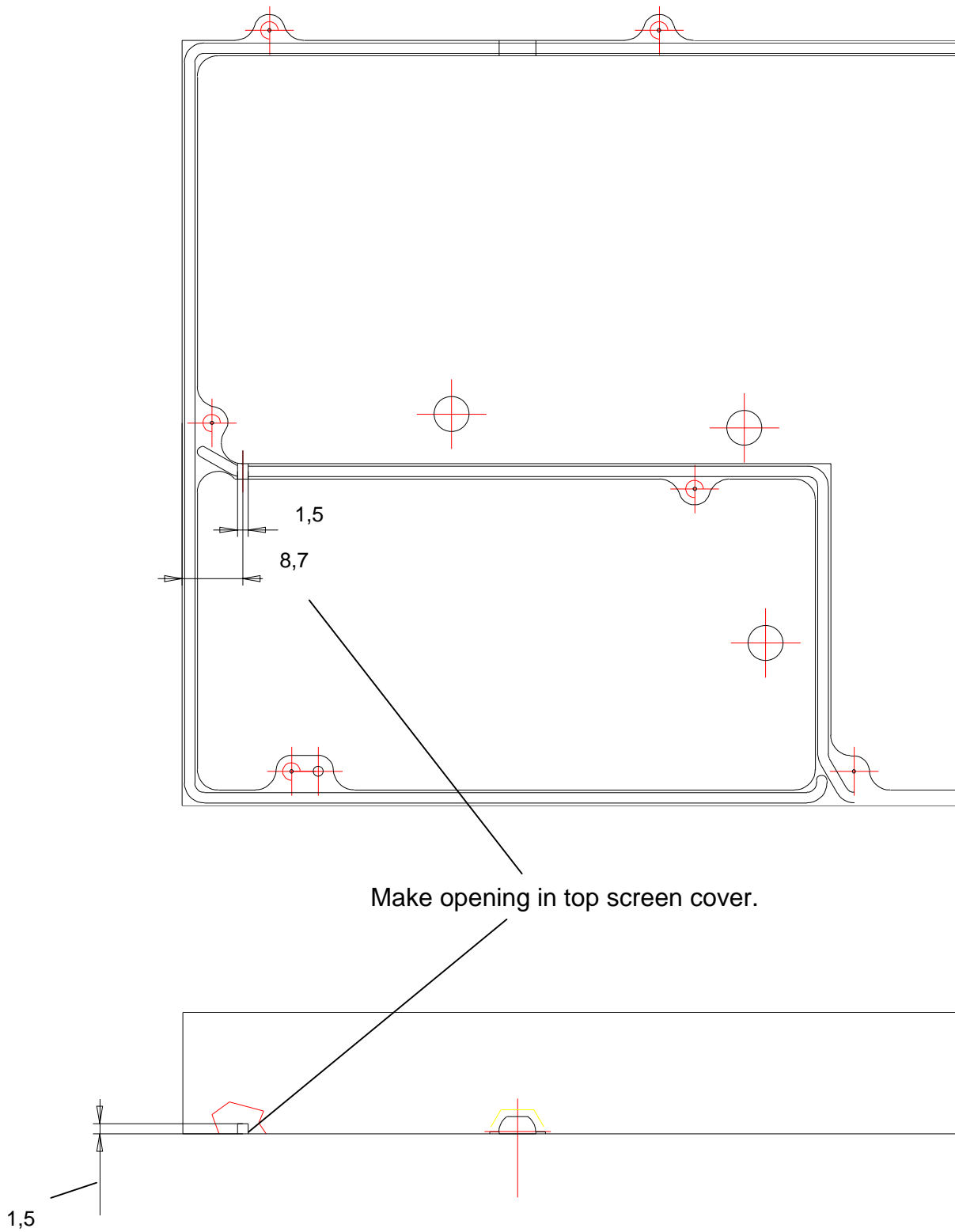
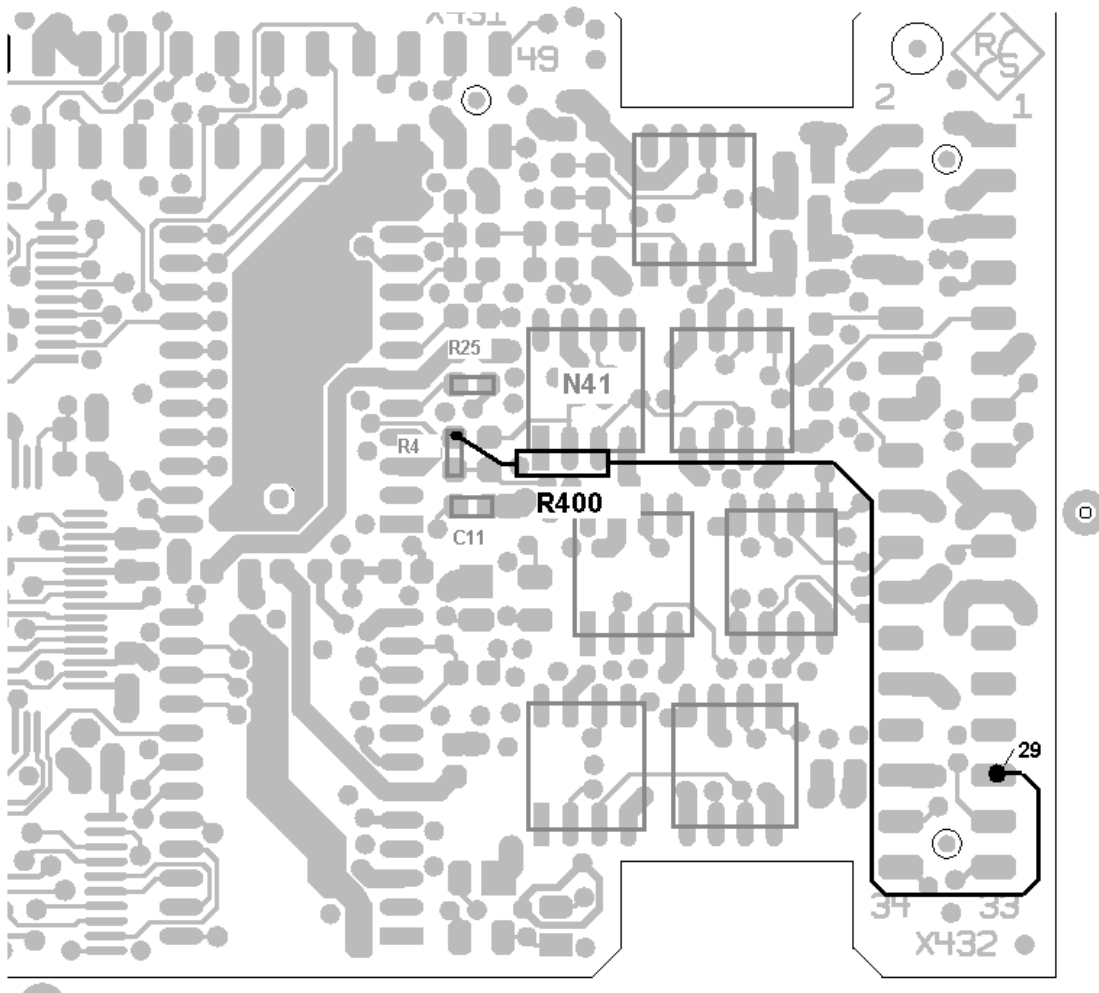


Fig. 6

Modifications on component side:



Connect 2.43 k Ω resistor R400 (stock no. 0083.0884.00, included in the modification kit) closely to R4 (upper pad) and to pin 29 of X432.

Fig. 7

4 Assembling the Unit

- Fit cover and cabinet feet back on in the reverse order to that described under 1.2/1.3/1.4 (Fig. 1 and 2).

5 Functional Test of Modification Kit CMU-U53

- Connect unit to AC supply and switch on.

Automatic module data adjustment

- During startup observe the display.
- When three BEEPs can be heard, press the MENU SELECT key.

The VersionManager is started (see also chapter 4 in CMU 200 manual, *Firmware Update*). The display includes the menu item FIRMWARE UPDATE AFTER BOARD CHANGE.

- Press the softkey to the left of the above mentioned menu item.

The automatic module data adjustment is performed under software control, firmware updates for microprocessors and programmable devices being performed as well. This may take a few minutes.

After the adjustment has been terminated, the operating software starts automatically and the CMU is ready for use and complies with the specifications.

Test of Option Detection

Software version > 2.60 must be provided in the instrument.

- Press SETUP hardkey in SYSTEM panel.
- Press OPTIONS softkey located on the row of keys at bottom of display.
- --> Check whether CMU-B21 and CMU-B53 is active.
- Install software option CMU-K53 and activate key code (see instructions supplied with the modification kit).

Calibration

Since the Rx/Tx module was replaced, a complete instrument calibration (ACS) has to be performed:

- Calibrate the FM path in the *Maintenance* menu.

Bluetooth Functional Test

- Connect a Bluetooth module to RF2 via RF cable or antenna.
- Perform inquiry procedure.
- Set up a connection to the Bluetooth DUT.
- Check results in *Power* and *Modulation* menu.

Installation of Option CMU-U61 FLOPPY DISKDRIVE (1100.5500.02)

Contents

1 Preparation	2
2 Installation of Option.....	5
3 Assembling Unit	8
4 Functional Test of Option CMU-U61	9

This option may also be installed at the customer's.

1 Preparation

- 1.1 Switch off unit and unplug power cable.
- 1.2 Screw off cabinet feet (four-recessed screws, size 2).
- 1.3 Place unit on handles at the front, push casing upwards and remove (Fig. 1).

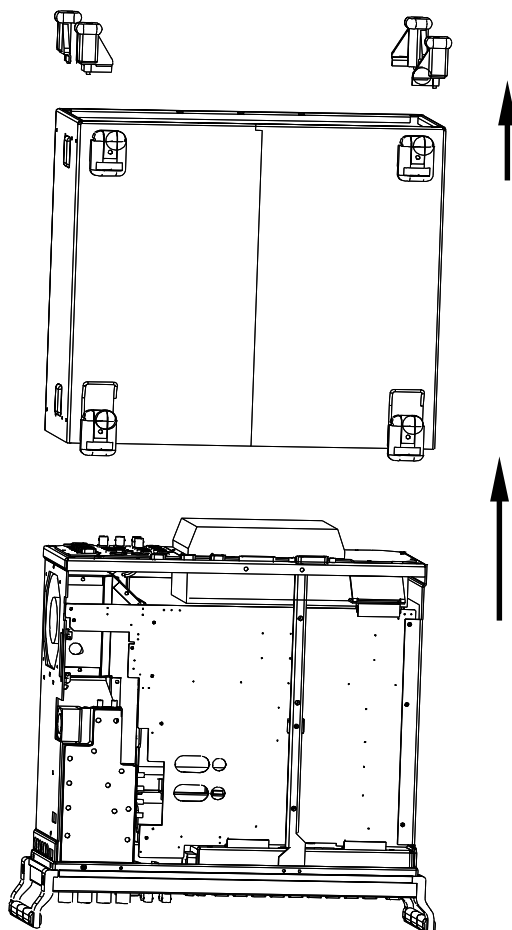


Fig. 1

- 1.4 Undo four screws from front handles and take off handles.
- 1.5 Undo the countersunk screw (if any) at the front on the labelling panel next to the rollkey and pull panel to the front.
- 1.6 Undo two countersunk screws each from the top and bottom frame at the front as well as two countersunk screws above the AUX1/2 BNC connector at the front.
- 1.7 Undo screw and nut assembly at the top on holding bracket for PCMCIA Interface.
- 1.8 Having taken out the two countersunk screws at top left frame, slightly raise top cover, then push it somewhat to the right and finally remove cover towards the top.
- 1.9 Push the front module to the front by slightly exerting pressure at the back (Fig. 2).

Caution: *Beware of the connecting cables for the PCMCIA Interface which are still connected to motherboard 1.*

- 1.10 After withdrawing the front module, unplug the three connecting cables of PCMCIA Interface from the motherboard.
- 1.11 Take out the front module completely from the CMU.
- 1.12 Undo two countersunk screws of PCMCIA Interface on the right side of the mounting plate and push the module to the front side.

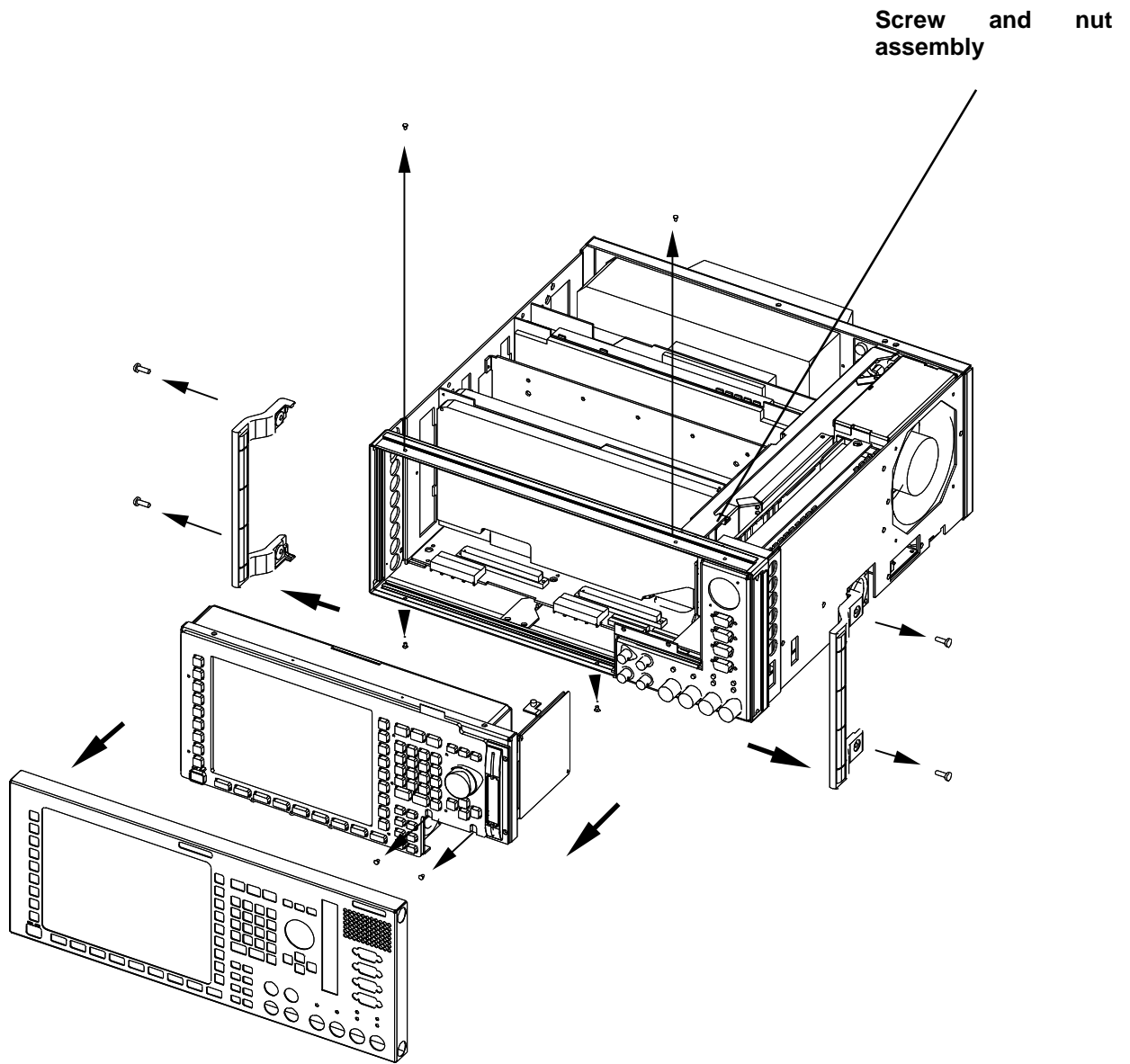


Fig. 2

2 Installation of Option

- Fold up flat cable (Fig. 3).

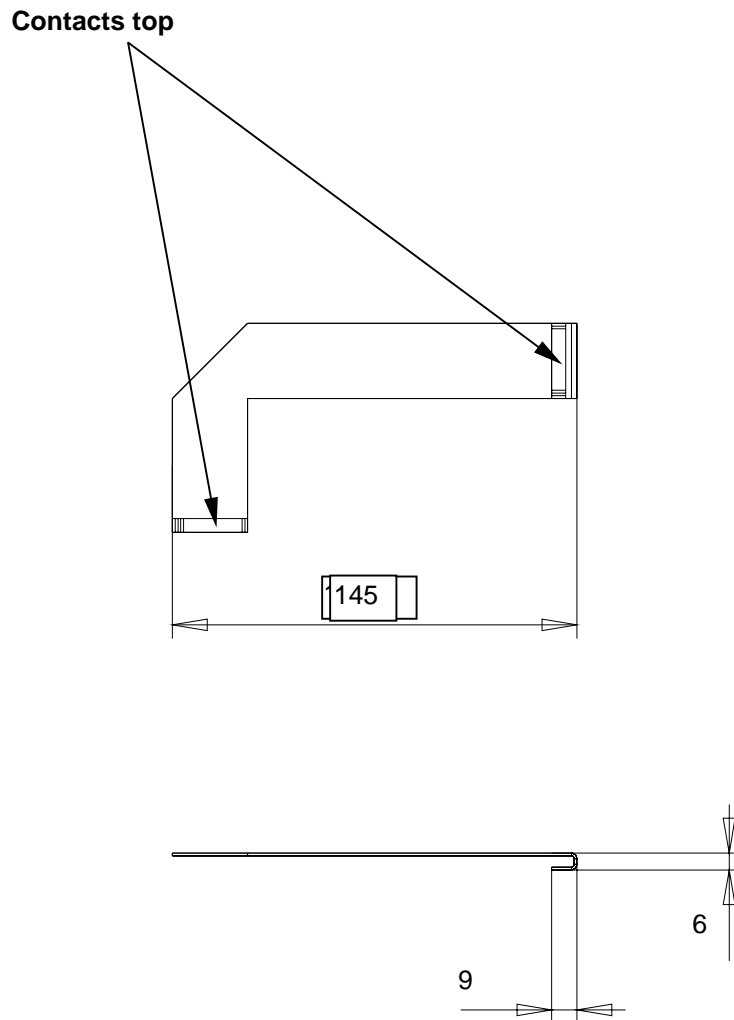


Fig. 3

- Fit floppy drive to holding frame and plug flat cable (Fig. 4).

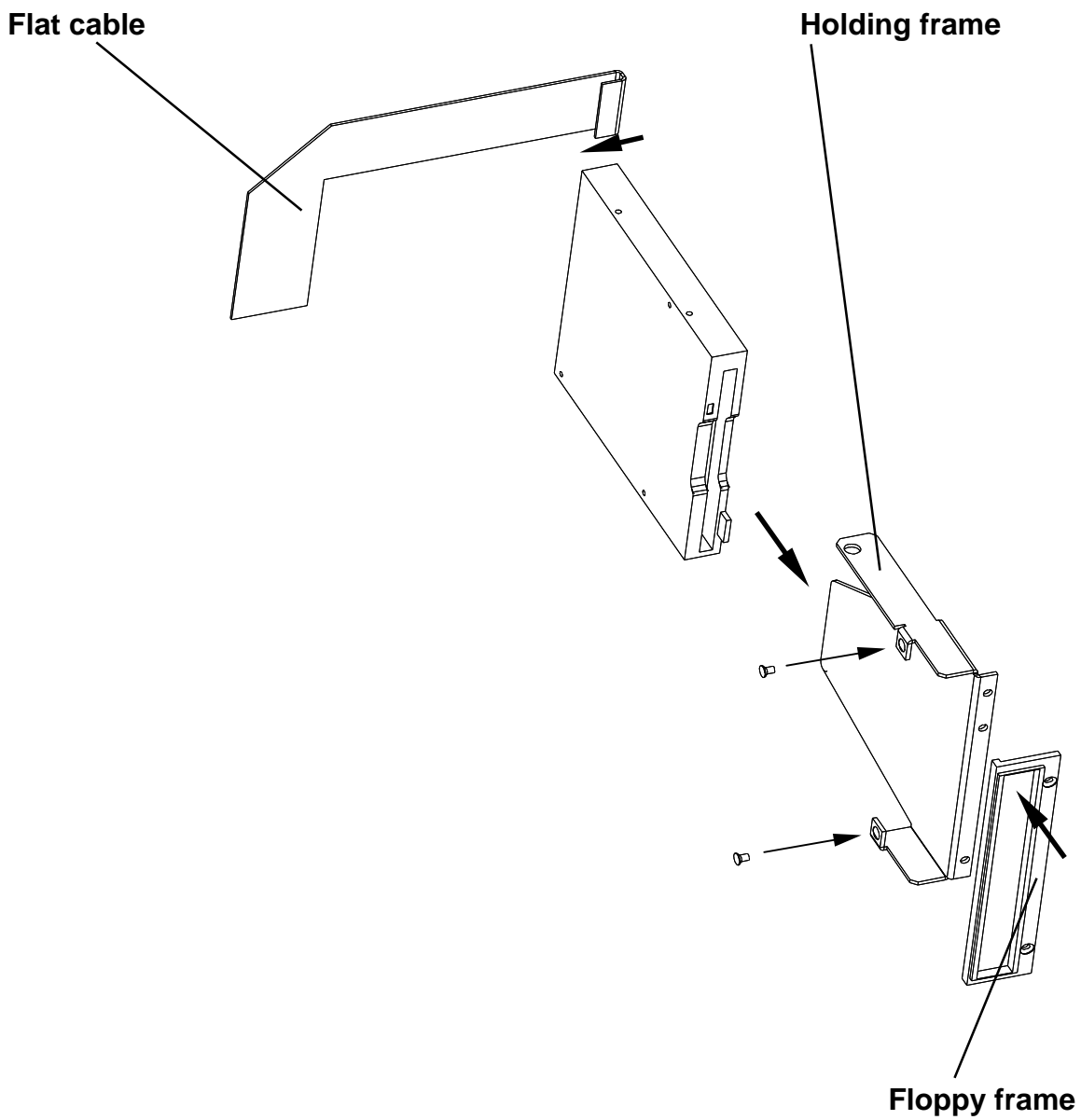


Fig. 4

- Fit floppy drive with frame to front module using two countersunk screws supplied (Fig. 5).

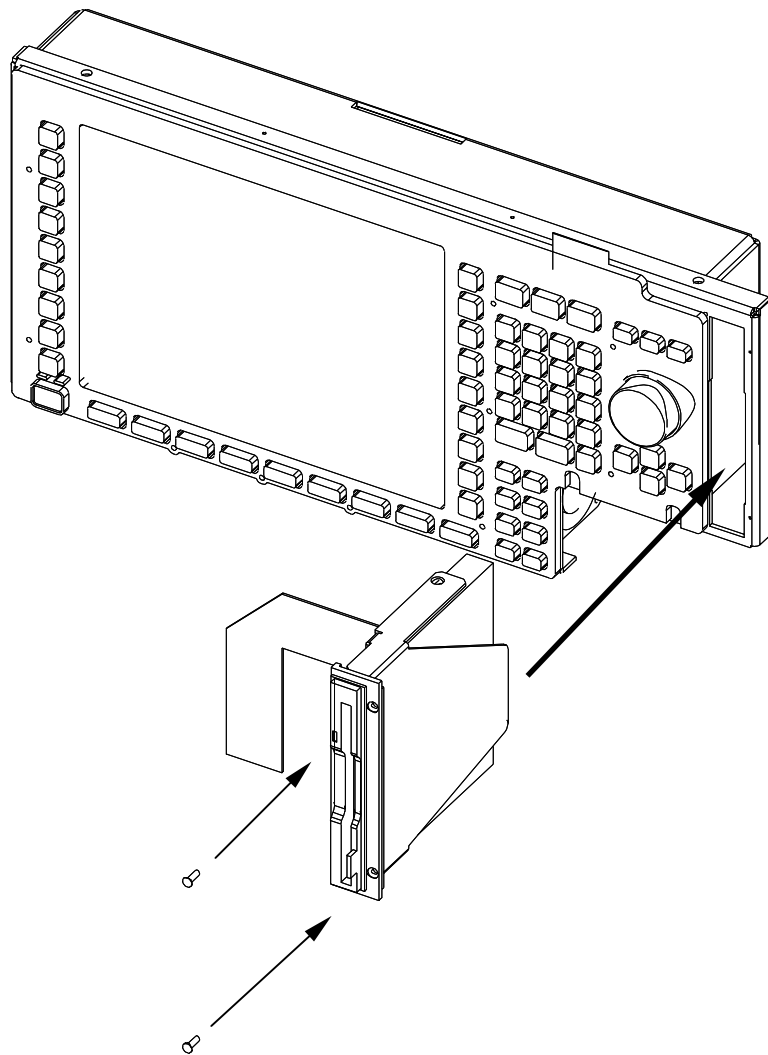


Fig. 5

3 Assembling Unit

Affixing Label

- Affix „CMU-U61“ label on power supply unit (Fig. 6).

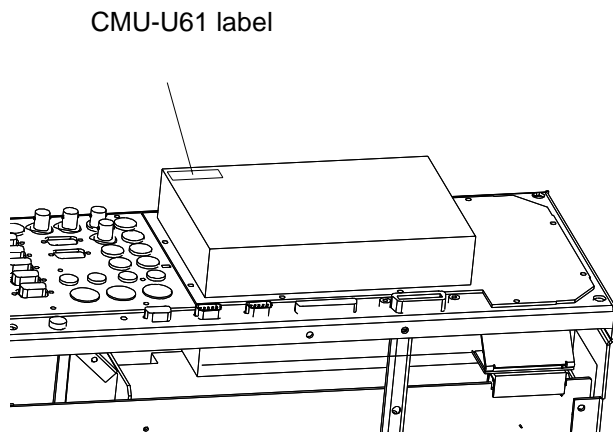


Fig. 6

Re-Mounting Front-Panel

- Mount front module, labelling panel, front handles and casing in the reverse order to that described under 1.4 to 1.11 (Fig. 2).
- Connect the free end of flat cable to X218 on the motherboard.

Putting Casing Back

- Fit casing and cabinet feet in the reverse order to that described under 1.2 / 1.3 (Fig. 1).

4 Functional Test of Option CMU-U61

- Connect unit to AC supply and switch on.

Enter Floppy Disk Drive into BIOS setup

If PCMCIA Interface is retrofitted on Floppy Disk Drive CMU-U61 or Floppy Disk Drive CMU-U61 is fitted for the first time the following alterations are necessary in BIOS setup:

- Connect external keyboard to the keyboard connector on the rear panel of CMU.
- Switch CMU off and on.
- Press delete key on external keyboard to enter BIOS setup.
- Select "Setup Standard" with cursor keys and confirm with enter.
- Select "Floppy A" with cursor keys and confirm with enter.
- Select "1.44MB 3.5" with cursor keys and confirm with enter.
- Press ESC twice to leave BIOS setup and confirm with enter. CMU starts automatically again.

Test of Option Detect

- Press SETUP hardkey in SYSTEM panel.
- Press OPTIONS softkey located on the row of keys at bottom of display.
--> Check whether option CMU-U61 is displayed and active.

Test of Option

- Press the key combination ALT and F4 on the external keyboard to enter DOS mode.
- Insert disk into floppy disk drive option and enter A: on external keyboard.
- Check whether disk is detected and can be read.

Installation of Option CMU-B71 ABIS INTERFACE UNIT (1100.6406.02)

Contents

1 Preparation	2
2 Installation of Option.....	4
3 Assembling Unit	5
4 Functional Test of Option CMU-B71	5

This option may also be installed at the customer's.

1 Preparation

- 1.1 Switch off unit and unplug power cable.
- 1.2 Screw off cabinet feet (four cross-recessed screws, size 2).
- 1.3 Place unit on handles at the front, push casing upwards and remove (Fig. 1).

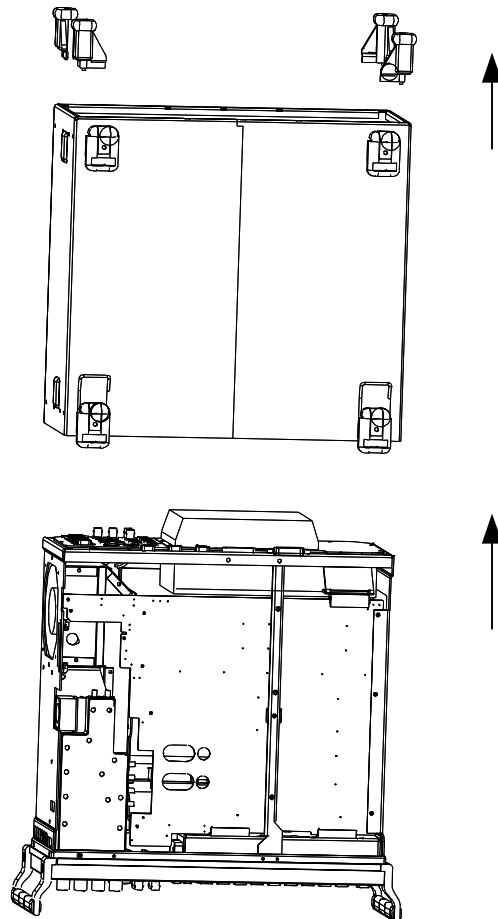


Fig. 1

- 1.4 After undoing two countersunk head screws at the top left frame, raise cover slightly, push somewhat to the right and take it off towards the top.

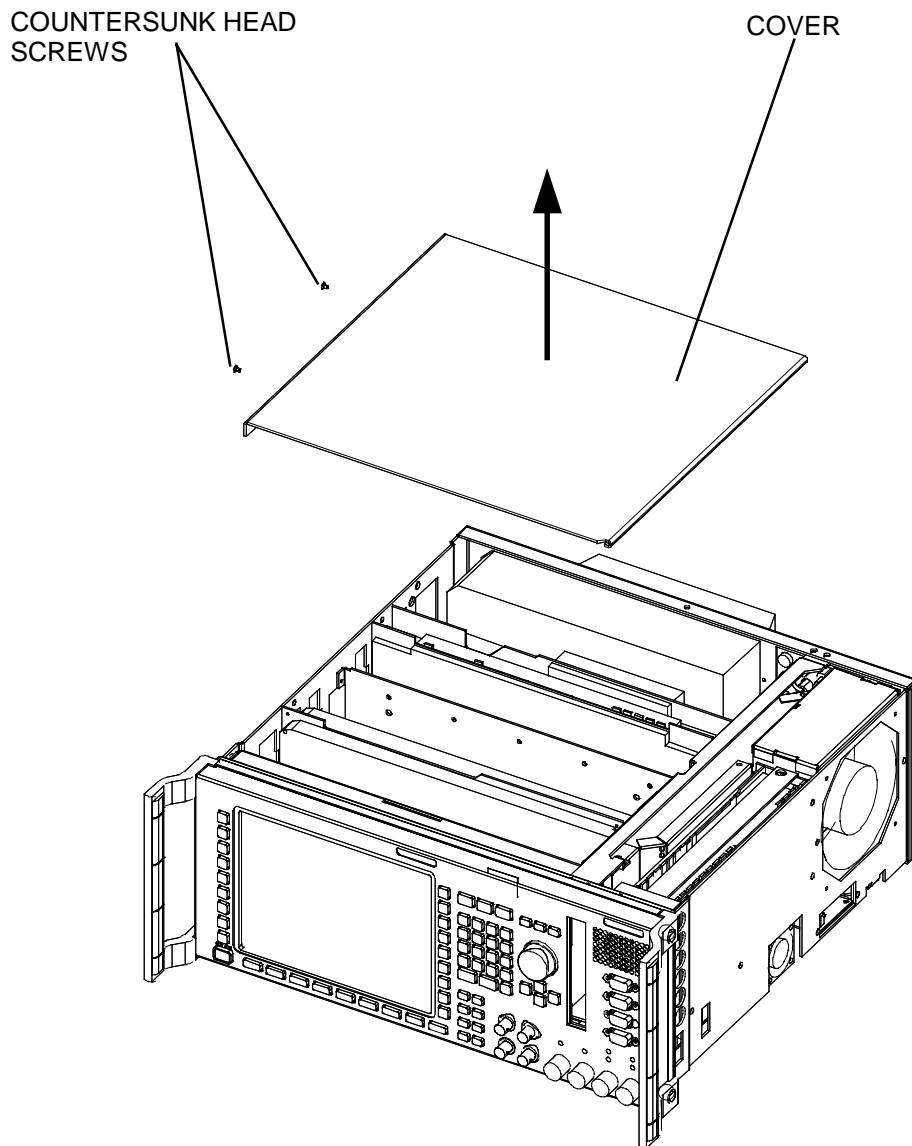


Fig. 2

2 Installation of Option

- 2.1 Remove cover on the vent in the intermediate panel of the 1st slot as seen from the front (Fig. 3).
- 2.2 Insert CMU-B71 into 1st slot as seen from the front.
- 2.3 Fit cables W714, W713, W700.

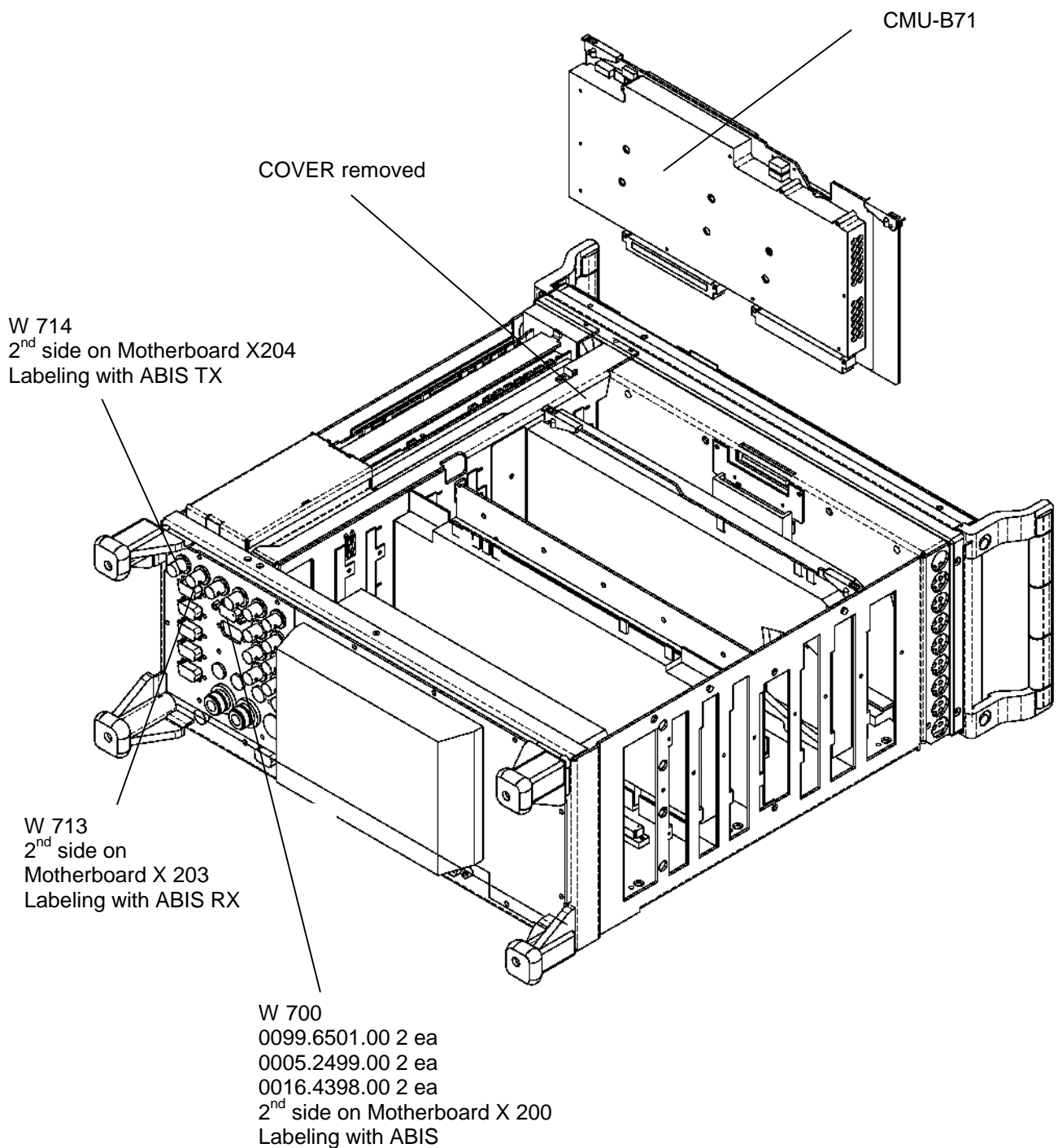


Fig. 3

3 Assembling Unit

3.1 Putting Cover Back

Fit cover and cabinet feet back on in the reverse order to that described under 1.2/1.3 (Fig. 1).

4 Functional Test of Option CMU-B71

4.1 Connect unit to power and switch on

4.2 Automatic Module Data Adjustment

- On booting the CMU, watch the display.
- When you hear three beeps, press the *MENU SELECT* key.
 - The *VersionManager* is started (see also chapter 4 of CMU Service Manual Instrument, *Firmware update*). The display offers the menu item *FIRMWARE UPDATE AFTER BOARD CHANGE*.
- Press the softkey to the left of the above menu item.
 - The module data are adjusted automatically under software control and firmware updates are performed for microprocessors and programmable components. This takes only a few minutes.
 - After adjustment, the operating software is started automatically. CMU is ready for operation and complies with data sheet specifications.

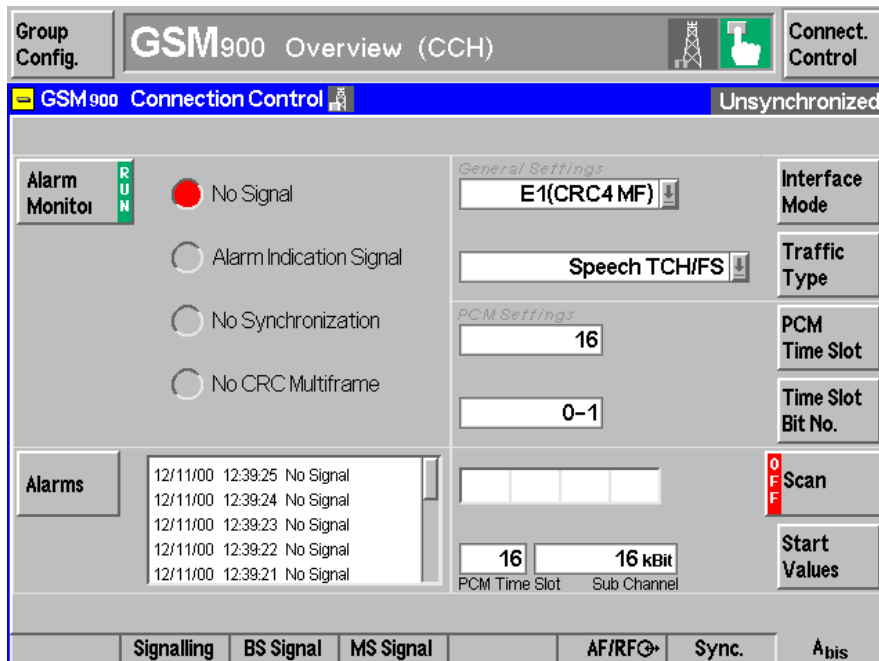
4.3 Checking the Option Identification

- Press the *SETUP* hardkey in the *SYSTEM* field.
- Press the *OPTIONS* softkey in the row below the display.
 - > Check whether CMU-B71 is displayed and activated.

4.4 Function Test

- Press the *MENU SELECT* hardkey in the *FUNCTION* field.
- Select *GSM900 BTS* function group, *Signalling* mode and *Overview* menu and press the *Enter* hardkey.
- Press the *A_{bis}* softkey in the row now appearing below the display.
- Press the *Alarm Monitor* softkey in the row to the left of the display.
- Press the *ON/OFF* hardkey in the *DATA* field.

--> The following screen is displayed:



The *Alarm Monitor* softkey switches to *RUN*.

The *NO Signal* LED symbol is red.

Alarm Indication Signal, *No Synchronization* and *No CRC Multiframe* are grey (de-activated).

Alarm messages with date and time are displayed in the window next to the *Alarms* softkey. They are continuously updated and always state *No Signal*.

- Then close the loopback loop by connecting the rear-panel ABIS TX BNC connector to the ABIS RX BNC connector using a BNC cable.

The LED symbols *No Signal*, *Alarm Indication Signal*, *No Synchronization* and *No CRC Multiframe* switch to green.

The message *No Signal* in the window next to the *Alarms* softkey is replaced by *No Alarm*. It may be that *No CRC Multiframe* is displayed briefly during switchover.

Installation of Option CMU-B81 CDMA SIGN. UNIT (1100.6506.02)

Contents

1 Preparation	2
2 Installation of Option.....	4
3 Assembling Unit	5
4 Functional Test of Option CMU-B81	6

This option may also be installed at the customer's.

1 Preparation

- 1.1 Switch off unit and unplug power cable.
- 1.2 Screw off cabinet feet (four cross-recessed screws, size 2).
- 1.3 Place unit on handles at the front, push casing upwards and remove (Fig. 1).

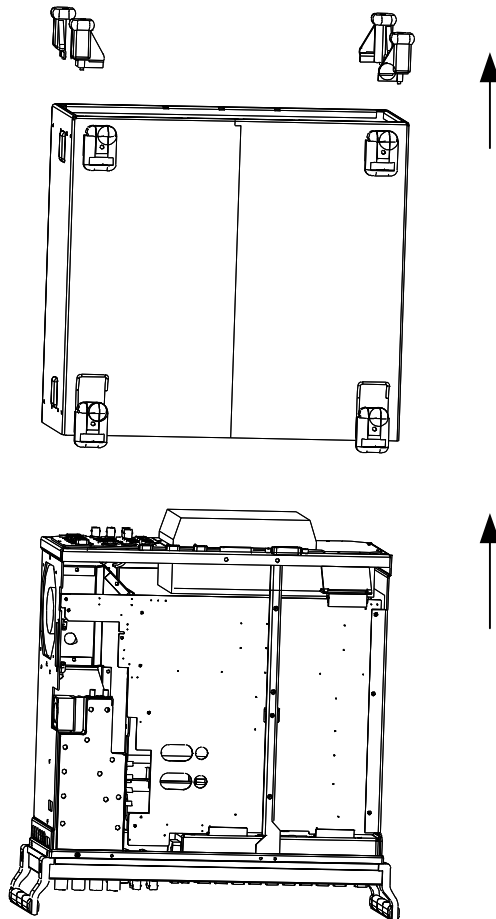


Fig. 1

1.4 After undoing two countersunk head screws at the top left frame, raise cover slightly, push somewhat to the right and take it off towards the top.

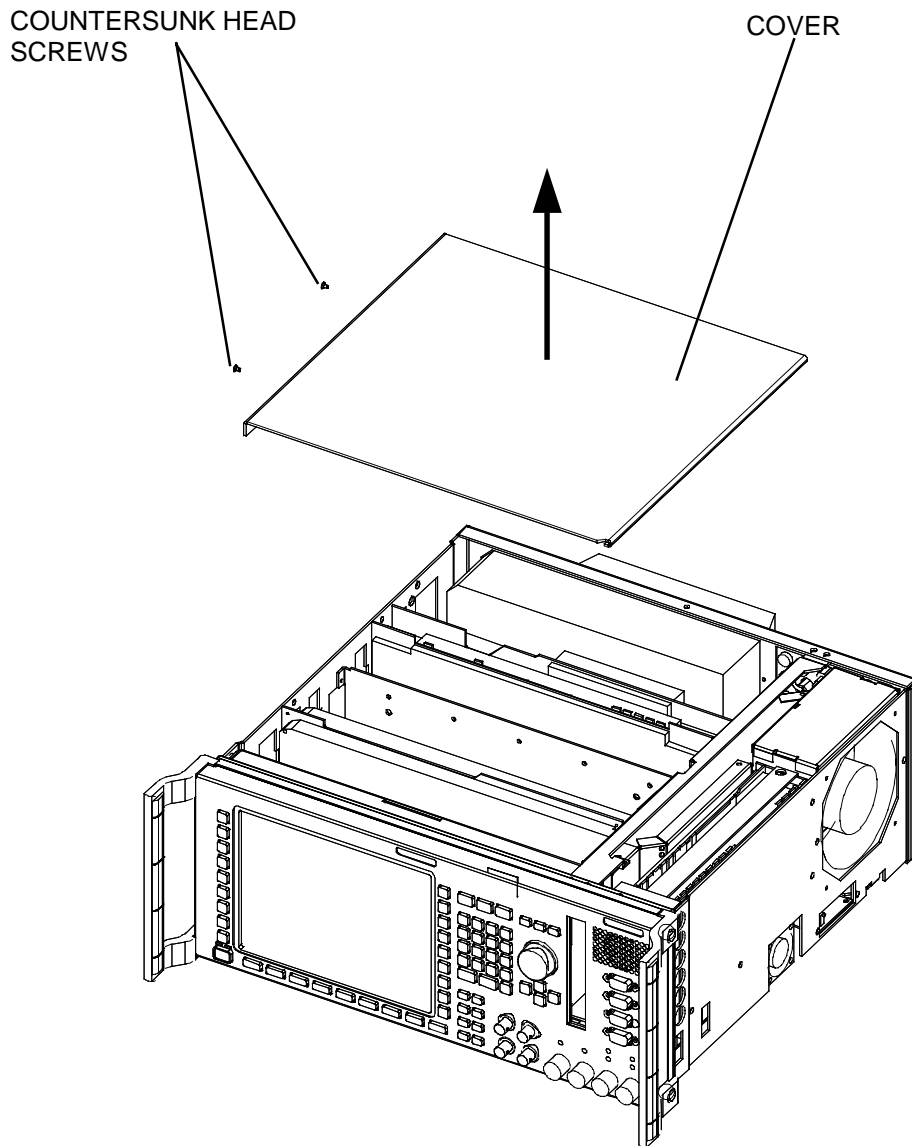


Fig. 2

2 Installation of Option

Caution: Prior to installation, check whether the connectors of the module fit into the 5th or 8th slot of the motherboard as seen from the front panel. Depending on the result of this check, proceed according to items 2.1 and 2.2.

- 2.1 Remove the cover of the ventilation opening in the partition of either the 5th or 8th slot as seen from the front panel (Fig. 3).
- 2.2 Insert CMU-B81 either into the 5th or 8th slot as seen from the front panel (Fig. 3).

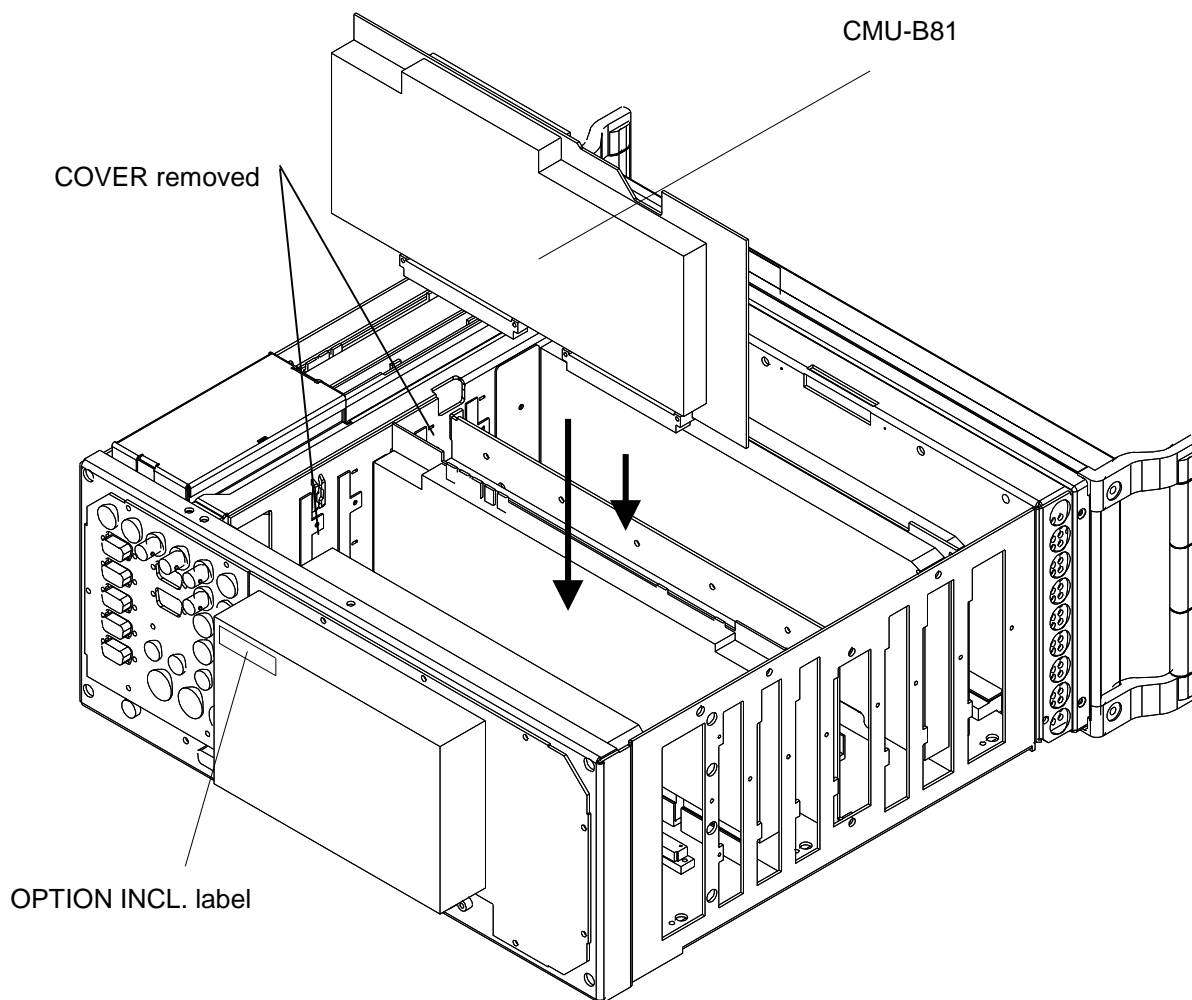


Fig. 3

3 Assembling Unit

3.1 Affixing Option Label

- Affix OPTION INCL. label on power supply unit (Fig. 2).

3.2 Putting Cover Back

- Fit cover and cabinet feet back on in the reverse order to that described under 1.2/1.3 (Fig. 1).

4 Functional Test of Option CMU-B81

4.1 Connect unit to AC supply and switch on

4.2 Automatic module data adjustment

- During startup observe the display.
- When three BEEPs can be heard, press the *MENU SELECT* key.

The VersionManager is started (see also chapter 4 of CMU service manual instrument, *Firmware update*). The display includes the menu item *FIRMWARE UPDATE AFTER BOARD CHANGE*.

- Press the softkey to the left of the above mentioned menu item.

The automatic module data adjustment is performed under software control, firmware updates for microprocessors and programmable devices being performed as well. This may take a few minutes.

After the adjustment has been terminated, the operating software starts automatically and the CMU is ready for use and complies with the specifications.

4.3 Test of Option Detection

- Press SETUP hardkey in SYSTEM panel.
- Press OPTIONS softkey located on the row of keys at bottom of display.

--> Check whether CMU-B81 is active.

4.4 Test of Function (only possible if options CMU- K81 or – K82 have been activated)

- Press MENU SELECT hardkey on FUNCTION panel.
- Select „CMDA IS95“ function group, „Signalling“ mode and „Overview“ menu and press the „Enter“ hardkey.
- Press the „Signal On“ key in this menu.

--> Check whether the *SIGNAL ON* indication in the top right display (blue status field) is highlighted in green.

5 Documents

This chapter contains the documents for the CMU basic unit. The documents for the modules with the description of function, adjustment and interfaces are relegated to the Service Manual, Stock no. 1110.4903.92. To order replacement parts and modules please contact our *spare parts express service* or your Rohde & Schwarz service representative and note the hints given in the following section, *Module and Cable Exchange*.

The address of our *spare parts express service* and a list of Rohde & Schwarz representatives can be found at the beginning of this service manual.

Module and Cable Exchange

Table 5-1 at the end of this section lists all power cables available. The stock numbers necessary for ordering replacement parts and modules can be found in the component lists further down.



Important Note!

When replacing a module please note the safety instructions and the repair instructions given in chapter 3 of this service manual.

Ordering replacement parts

To deliver replacement parts promptly and correctly we need the following indications:

- Stock number (see component lists in this chapter)
- Designation
- Component number according to component list
- Number of pieces
- Instrument type the replacement part belongs to
- Contact person for possible questions

Replaced modules

Replaced modules are an economic alternative for original modules. It should be kept in mind that replaced modules are not new, but repaired and fully tested parts. They may have traces from use but they are electrically and mechanically equivalent to new modules.

To find out which replaced modules are available, please refer to your Rohde & Schwarz representative (or to the central service division, Rohde & Schwarz Munich). The identification number is usually the same as for the original module, but with a variant index .95, .96, .97 or .98.

Ordering and delivery of replaced modules

For ordering replaced modules, the same indications as for ordinary parts are required, however, with the corresponding variant index appended to the stock number.

Taking back defective replacement modules

Defective modules of the replacement program which can be repaired are taken back within **3 months** after delivery of the replaced module. A repurchasing value is credited.

Excluded are parts which can not be repaired, e.g. PCBs that are burnt, broken or damaged by repair attempts, incomplete modules, parts which are heavily damaged mechanically.

The defective parts must be sent back with a **returned accompanying document** containing the following information:

- Stock number, serial number and designation of the dismantled part,
- **Precise** description of the error,
- Stock number, serial number and designation of the instrument the part was dismantled from,
- Date of dismantling,
- Name of the technician who exchanged the part.

A returned accompanying document is provided with each replacement module.

Table 5-1 List of power cables available

Stock No.	Earthed-contact connector	Preferably used in
DS 006.7013	BS1363: 1967 complying with IEC 83: 1975 standard B2	Great Britain
DS 006.7020	Type 12 complying with SEV-regulation 1011.1059, standard sheet S 24 507	Switzerland
DS 006.7036	Type 498/13 complying with US-regulation UL 498, or with IEC 83	USA/Canada
DS 006.7107	Type SAA3 10 A, 250 V, complying with AS C112-1964 Ap.	Australia
DS 0025.2365 DS 0099.1456	DIN 49 441, 10 A, 250 V, angular DIN 49 441, 10 A, 250 V, straight	Europe (except Switzerland)



**Overview of
Spare Parts
for CMU Basic Unit**

List of CMU Spare Parts

The CMU is constructed in accordance with R&S design 2000.

Overall dimension: W x H x L, 465 mm x 193 mm x 517 mm

Rackmount: 4E 1/1 T450

Note: *The parts which are fitted with a Current No. can be ordered as spare parts.*

Current No.	Designation	Stock No.	Electr.No.
10	Instrument frame	1090.9080.00	
80	Instrument fan	1091.1001.00	
90	Instrument fan cover	1091.0840.00	
150	Cover	1100.0872.00	
170	Cage	1091.0111.00	
180	Part of the mounting plate	1091.0028.00	
190	Partition	1091.0128.00	
200	Locking bracket	1091.0405.00	
210	Loudspeaker	1100.0837.00	E 1
220	Loudspeaker support	1091.0640.00	
220	Cover hood large	0009.9200.00	
230	Cover hood small	0143.4180.00	
240	Cover hood medium	0528.8500.00	
250	Sub D cover (9-pins)	1050.9243.00	
260	Labeling panel	1100.0143.00	
270	FRONT MODULE MODEL 04=COLOR DISPLAY 48 MB / FMR4	1090.9244.04	A 1
275	FRONT MODULE MODEL 12=COLOR DISPLAY 64 MB / FMR5	1090.9244.12	A 1

Current No.	Designation	Stock No.	Electr.No.
280	Keyboard frame	1091.1153.00	
290	Keyboard mat	1100.0166.00	
300	Keyboard membrane	1100.2008.00	A 15
310	Mounting plate	1090.9680.00	
320	Shielded filter plate	1091.2014.00	
330	RF Spring long	1069.3011.00	
340	RF Spring short	1069.3105.00	
350	Plate support	0852.0844.00	
360	LCD VAR 04	0048.4435.00	A 14
365	LCD VAR 12	0048.6980.00	A 14
370	Display connector VAR 04	1091.0286.00	W 17
375	Display connector VAR 12	1091.0911.00	W 17
380	Spinwheel VAR 04	0852.1140.00	B 12
385	Spinwheel VAR 12	0852.1134.00	B 12
390	Rotary knob	0852.1086.00	
400	Shielding VAR 04	1090.9838.00	
405	Shielding VAR 12	1091.1030.00	
410	DC/AC converter VAR 04	0048.3568.00	T 3
415	DC/AC converter VAR 12	0048.6996.00	T 3
420	Converter connector VAR 04	1091.2214.00	W 13
425	Converter connector VAR 12	1091.0928.00	W 13
430	Hood VAR 04	1090.9844.00	

Current No.	Designation	Stock No.	Electr.No.
435	Hood VAR 12	1091.1024.00	
440	Panel	1090.9650.00	
450	FRONT MODULE CONTROLLER VAR 04	1091.2108.00	A 4
455	FRONT MODULE CONTROLLER VAR 12	1091.2489.00	A 4
460	Lithium battery	0565.1687.00	
470	Memory MODULES 16 MB (SIMM -72) VAR 04	0010.9369.00	
475	Memory MODULES 32 MB (SODIMM -144) VAR 12	0048.5654.00	
480	Memory MODULES 32 MB (SIMM -72) VAR 04	0048.5025.00	
485	Memory MODULES 64 MB (SODIMM -144) VAR 12	4054.9518.00	
490	Hard disk program.VAR 04	1090.9250.00	D 11
495	Hard disk program.VAR 12	1100.0989.00	D 11
510	Fan VAR 04	1090.9867.00	E 10
515	Fan VAR 12	1091.0292.00	E 10
520	RF FRONTEND	1100.3042.02	A 20
530	Fan	1100.3088.00	
540	REFERENCE BOARD	1100.2600.02	A 10
550	RX/TX BOARD1	1100.1404.02 1100.1733.02 ¹	A 3
555	TR CORRECTION MODULE	1100.1604.02	A 301
560	Reserved		
565	Reserved		

¹ New RXTX BOARD1 1100.1733.02 replaces old RXTX BOARD1 1100. 1404.02. 1100.1703.02 cannot be replaced by 1100.1404.02.

Current No.	Designation	Stock No.	Electr.No.
570	DIGITAL BOARD	1100.1791.02	A 7
575	DIGITAL BOARD	1100.1804.02	A 700
580	DDC MODULE1	1100.2300.03	A 710
585	DDC MODULE2	1100.2300.03	A 730
590	AUC MODULE1	1100.2500.02	A 760
595	AUC MODULE2	1100.2500.02	A 780
600	TXDSP MODULE1	1100.2100.03	A 750
605	TXDSP MODULE2	1100.2100.03	A 770
610	ADC MODULE1	1100.2200.02	A 720
615	ADC MODULE2	1100.2200.02	A 740

620	MOTHERBOARD1	1100.1110.02 1100.0920.02 ² *	A 200
630	MOTHERBOARD2	1100.1127.02 1100.0937.02 ³ *	A 201
640	REARPANEL BOARD1	1100.1140.02 1100.0950.02 ⁴ *	A 204
650	REARPANEL BOARD2	1100.1191.02 1100.0966.02 ⁵ *	A 202
660	FRONTPANEL BOARD	1100.1204.02 1100.0943.02 ⁶ *	A 203

670	POWER SUPPLY	1091.2320.00	A 100
-----	--------------	--------------	-------

CMU-B11 OCXO REFERENCE OSC.		1100.5000.02	
690	OCXO REFERENCE OSC.	1100.2900.02	

CMU-B12 OCXO REFERENCE OSC.		1100.5100.02	
------------------------------------	--	--------------	--

² New MOTHERBOARD1 1100.0920.02 replaces old MOTHERBOARD1 1100.1110.02. 1100.0920.02 cannot be replaced by 1100.1110.02.

³ New MOTHERBOARD2 1100.0937.02 replaces old MOTHERBOARD2 1100.1127.02. 1100.0937.02 cannot be replaced by 1100.1127.02.

⁴ New REARPANEL BOARD1 1100.0950.02 replaces old REARPANEL BOARD1 1100.1140.02. 1100.0950.02 cannot be replaced by 1100.1140.02.

⁵ New REARPANEL BOARD2 1100.0966.02 replaces old REARPANEL BOARD2 1100.1191.02. 1100.0966.02 cannot be replaced by 1100.1191.02.

⁶ New FRONTPANEL BOARD 1100.0943.02 replaces old FRONTPANEL BOARD 1100.1204.02. 1100.0943.02 cannot be replaced by 1100.1204.02.

Current No.	Designation	Stock No.	Electr.No.
710	OCXO REFERENCE OSC.	1100.2900.03	
CMU-B21 UNIVERS.SIGN.UNIT		1100.5200.02	
730	UNIV. SIGN. UNIT	1100.5216.02 ⁷ 1100.5216.03 ⁸	A 8 / A 9
735	LINK HANDLER BOARD	1097.3570.02	A 400
740	DSP MODULE0	1097.3106.03 ⁹ 1097.3129.03 ⁹	A 440
741	DSP MODULE1	1097.3106.03 ⁹ 1097.3129.03 ⁹	A 450
742	DSP MODULE2	1097.3106.03 ⁹ 1097.3129.03 ⁹	A 460
750	I/Q OUT MODULE	1100.2000.02	A 430
CMU-B41 AUDIO-GEN. + ANA.		1100.5300.02	
755	AUDIO BOARD	1100.2800.02	A11
756	DSP MODULE	1097.3106.03 ⁹ 1097.3129.03 ⁹	A1101
757	RF cable	1100.3659.00	W 34*
758	RF cable	1100.3665.00	W 40*
CMU-B52 SPEECH CODEC		1100.5400.02	A 420
760	SPEECH CODEC	1100.2730.02	
765	DSP MODULE3	1097.3106.03 ⁹ 1097.3129.03 ⁹	A 470
CMU-U61 FLOPPY DISK DRIVE		11005500.02	
780	Floppy	1091.2072.00	
790	Support	1091.0228.00	
800	Frame	1091.0211.00	

⁷ 1100.5216.02 contains DSP MODULES 1097.3106.03 and I/Q OUT MODULE 1100.2000.02

⁸ 100.5216.03 contains DSP MODULES 1097.3129.03 and I/Q OUT MODULE 1100.2000.02

⁹ New DSP MODULE 1097.3129.03 replaces old DSP MODULE 1097.3106.03. 1097.3129.03 cannot be replaced by 1097.3106.03.

* If one of the new boards (620...660) is used, all other boards (620...660) must be replaced.

Current No.	Designation	Stock No.	Electr.No.
810	Flex strip connection	1091.2066.00	
830	PCMCIA INTERFACE	1100.5616.02	
840	Card slot	1047.2006.00	
850	RF cable	1100.3894.00	W 5*
860	RF cable	1100.3907.00	W 6*
870	RF cable	1100.3913.00	W 7*
880	RF cable	1100.3920.00	W 8*
910	RF cable	1100.3965.00	W 12*
920	RF cable	1100.3971.00	W 13*
930	RF cable	1100.3988.00	W 14*
940	RF cable	1100.4010.00	W 17*
950	RF cable	1100.4026.00	W 18*
960	RF cable	1100.4032.00	W 19*
970	RF cable	1100.4155.00	W 31*
980	RF cable	1100.4161.00	W 32*
990	RF cable	1100.4178.00	W 33*
1000	RF cable	1100.4190.00	W 35*
1010	RF cable	1100.4203.00	W 36*
1020	RF cable	1100.4210.00	W 37*
1030	Tube	1100.0743.00	

⁹ New DSP MODULE 1097.3129.03 replaces old DSP MODULE 1097.3106.03. 1097.3129.03 cannot be replaced by 1097.3106.03.
^{*} as shown in drawing 1100.0872 sheet 1.
^{*} as shown in drawing 1100.0872 sheet 1.

Current No.	Designation	Stock No.	Electr.No.
1040	Front grip	1096.1480.00	
1050	Screw	1096.4780.00	
1060	Rear panel foot	1096.2493.00	
1070	Instrument foot	1096.2506.00	
1080	Clamp	1096.2529.00	
1090	Tube hood	1096.2558.00	



Drawings of all

CMU Spare Parts



Circuit Diagram

Part List

Adjustment Devices

for CMU Basic Unit

Index

A

ADC Module1 (DIGITAL Board)..... 3.12
 Adjustment
 + 5 VDC Reference Voltage 2.2
 10 MHz Reference-Frequency..... 2.3
 Automatic of Module Data 2.4
 AUC Module1 (DIGITAL Board)..... 3.13
 AUDIO-GEN. + ANA., CMU-B41 3.15
 Auxiliary means 1.2

B

Block diagram..... 3.2

C

CDMA (IS95) Signalling Unit..... 3.16
 Circuit documents (basic unit)..... 5.3
 CMU-B11 (Option)..... 4.5
 CMU-B12 (Option)..... 4.5
 CMU-B15 (Option)..... 4.5
 CMU-B21..... 3.13
 CMU-B21 (Option)..... 4.6
 CMU-B41..... 3.15
 CMU-B41 (Option)..... 4.6
 CMU-B52 (Option)..... 4.6
 CMU-B81..... 3.16
 CMU-K21 (Option)..... 4.6
 CMU-U61 (Option)..... 4.6
 Cooling the instrument..... 3.4

D

DDC Module1 (DIGITAL Board)..... 3.12
 DIGITAL Board..... 3.12
 Documents 5.1
 Drawing of all CMU spare parts See annex
 DSP Module (UNIV. SIGN. Unit)..... 3.14

F

Fan..... See cooling the instrument
 FLOPPY DISK DRIVE (Software Update)..... 4.1
 FRONT Module 3.5
 FRONTPANEL Board..... 3.7
 Function test with Mobile Stations 1.17

H

Hard disk (FRONT Module) 3.5

I

Instrument design 3.1
 Instrument frame..... 3.3
 Interface test
 IEC bus 1.8
 RS-232 1.8
 IQOUT Module (UNIV. SIGN. Unit)..... 3.14

L

LCD (FRONT Module) 3.5
 Loudspeaker..... 3.3

M

Manual Test Procedure..... 1.7
 Maximum distortion 1.13
 Measuring instruments 1.2, 1.8
 Module replacement
 ADC Module1 3.42
 AUC Module1 3.42
 DDC Module1 3.42
 DIGITAL Board 3.41
 DSP Module0/1..... 3.46
 FLOPPY Disk Drive CMU-B61..... 3.35
 FRONT Module..... 3.17
 FRONT Module Controller 3.19
 FRONTPANEL Board 3.52
 Hard Disk..... 3.25
 Instrument fan..... 3.50
 IQOUT Module..... 3.46
 Keyboard Membrane..... 3.32
 Labeling Panel..... 3.34
 LCD 3.30
 Lithium Battery..... 3.22
 Mat 3.32
 Memory Modules 3.28
 Motherboard 3.51
 Motherboard1 3.51
 Motherboard2 3.52
 Option AUDIO-GEN. + ANA. CMU-B41 3.48
 Option OCXO REFERENCE OSC. 3.44
 Option SPEECH CODEC..... 3.46
 PCMCIA Interface CMU-B62 3.35
 POWER SUPPLY 3.49
 REARPANEL Board1..... 3.53
 REARPANEL Board2..... 3.53
 REFERENCE Board 3.38
 RF Frontend..... 3.37
 RXTX Board1..... 3.39
 TR-CORRECTION Module 3.40
 TXDSP Module1 3.42
 UNIVERSAL SIGNALLING Unit..... 3.45
 Motherboard..... 3.7
 Motherboard1..... 3.7
 Motherboard2..... 3.7

N

Netclock generation 3.8

O

OCXO
 Adjustment..... 2.3
 REFERENCE OSC. CMU-B11 or B12 (Option) 3.9
 Options
 Installing 4.4
 List..... 4.4
 Overtemperature protection (POWER SUPPLY) 3.6

P

PCMCIA INTERFACE (Software Update) 4.1
 Performance Test..... 1.1
 Power cables 5.2
 Power Factor Correction (PFC, POWER SUPPLY)..... 3.6
 POWER SUPPLY 3.6

POWERGOOD signal (POWER SUPPLY) 3.6

R

REARPANEL Board1 3.7
 REARPANEL Board2 3.8
 REFERENCE Board 3.8
 Reference frequencies 1.8
 Repair 3.1
 RF Frontend 3.9
 RX Dynamic / average noise level 1.15
 RX GSM Demodulation 1.16
 RX Harmonics 1.13
 RX Power meter (Frequency selective) 1.13
 RX Power meter (Wideband) 1.13
 RX Residual FM/AM 1.15
 RX Spurious response / image rejection 1.14
 RX SSB Phase Noise 1.14
 RXTX Board1 3.10

S

Selftest 1.7
 Software Update
 New installation 4.1
 Performing 4.2
 Reinstalling the Old Software 4.3
 Spare parts (order) 5.1
 SPEECH CODEC (UNIV. SIGN. UNIT) 3.14
 Spinwheel (FRONT Module) 3.5
 STANDBY circuit (POWER SUPPLY) 3.6
 STANDBY/ON signal (POWER SUPPLY) 3.6

T

TCXO
 Adjustment 2.3
 Function 3.8
 Test report 1.18
 Tolerance analysis 1.6
 Troubleshooting
 General errors 3.61
 using the error messages 3.60
 using the INFO Menu for Modules 3.58
 using the LEDs 3.55
 using the SELFTEST Menu for Modules 3.57
 TX carrier/sideband suppression 1.13
 TX Frequency Accuracy 1.10
 TX Frequency settling time 1.10
 TX GSM Modulation 1.16
 TX Harmonics 1.11
 TX Level Error 1.10
 TX Level Settling time 1.11
 TX Nonharmonics 1.11
 TX Residual AM 1.12
 TX Residual FM 1.12
 TX SSB Phase Noise 1.12
 TXDSP Module1 (DIGITAL Board) 3.13

U

Universal Signalling Unit 3.13
 Update (software) 4.2

V

VersionManager (loading) 4.3
 VSWR 1.10